



multidecor

Multidecor S. de R.L. de C.V.

Cuadrante de San Francisco Núm. 14-1

Col. Cuadrante de San Francisco. C.P. 04320, México D.F.

info@multidecor.com.mx (55) 5554 5858 / (55) 5544 3737

www.multidecor.com.mx



REV-A-SHELF®

WALL ACCESSORIES

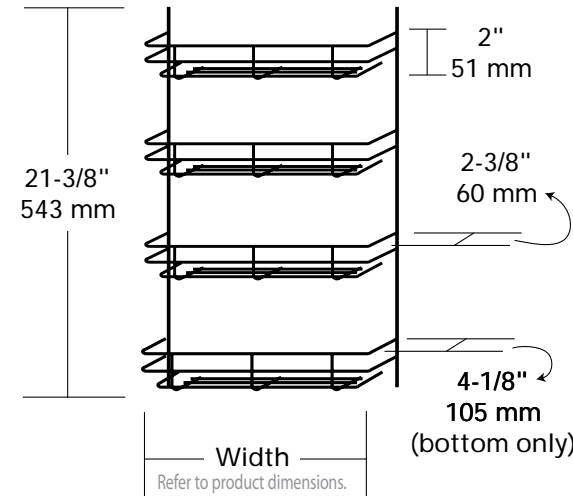
How do you make more room in a confined space like a wall cabinet? Or how do you use all the space in your cabinet when you can't reach the shelves? Answer - Add Rev-A-Shelf Wall Accessories. Our classic door mount spice racks and storage shelves expand your limited space with selections of wire, polymer and wood. And now everyone can reach the shelves in your wall cabinet with our revolutionary chrome Pull-Down Shelving System. This popular kitchen convenience is one of the many innovative products introduced as Rev-A-Shelf continues to change the way you think about cabinet organization!

565 SERIES

Save space on the shelf by storing spices and canned goods on a Door Mount Spice Rack. The 565 Series is available in three different widths and features three small tiers to hold spices and one larger tier that can accommodate canned goods. The Door Mount Spice Rack is made of heavy-gauge white wire and easily installs with just four screws.



DOOR MOUNT SPICE RACK



PRODUCT #s	DESCRIPTION	PRODUCT DIMENSIONS	FINISH	SET PER CARTON	WEIGHT PER CARTON	SUGGESTED LIST PRICE
Door Mount Spice Rack			Individual Pack			
565-8-52	Door Mount Spice Rack	7% (200 mm)W x 2 ³ / ₈ " (61 mm) – 4 ¹ / ₈ " (105 mm)D x 21 ³ / ₈ " (543 mm)H	White Wire	1	2 lbs.	\$40.45
565-10-52	Door Mount Spice Rack	10% (270 mm)W x 2 ³ / ₈ " (61 mm) – 4 ¹ / ₈ " (105 mm)D x 21 ³ / ₈ " (543 mm)H	White Wire	1	2 lbs.	\$46.10
565-14-52	Door Mount Spice Rack	13% (346 mm)W x 2 ³ / ₈ " (61 mm) – 4 ¹ / ₈ " (105 mm)D x 21 ³ / ₈ " (543 mm)H	White Wire	1	2 lbs.	\$48.00
Door Mount Spice Rack			Bulk Pack			
565-8	Door Mount Spice Rack	7% (200 mm)W x 2 ³ / ₈ " (61 mm) – 4 ¹ / ₈ " (105 mm)D x 21 ³ / ₈ " (543 mm)H	White Wire	20	18 lbs.	\$37.55 ea.
565-10	Door Mount Spice Rack	10% (270 mm)W x 2 ³ / ₈ " (61 mm) – 4 ¹ / ₈ " (105 mm)D x 21 ³ / ₈ " (543 mm)H	White Wire	20	26 lbs.	\$43.35 ea.
565-14	Door Mount Spice Rack	13% (346 mm)W x 2 ³ / ₈ " (61 mm) – 4 ¹ / ₈ " (105 mm)D x 21 ³ / ₈ " (543 mm)H	White Wire	20	30 lbs.	\$44.65 ea.

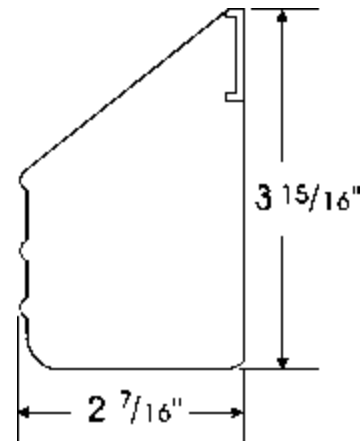
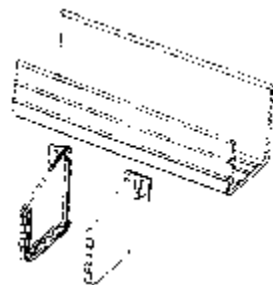
CONTAINS:

(1) wire rack, (4) door mount clips and (4) screws

ST/6571 SERIES

Create more room in cabinets with a Door Mount Spice Rack. The ST/6571 Series is available in 36" or 72" extruded trays that can be cut-to-size. Components include end caps, screws, and adhesive (each sold separately). The Door Mount Spice Racks are available in white or almond colors.

Custom cut trays to length and glue end caps on with Rev-A-Glue. (Included)



PRODUCT #s	DESCRIPTION	PRODUCT DIMENSIONS	FINISH	SET PER CARTON	WEIGHT PER CARTON	SUGGESTED LIST PRICE
Door Mount Spice Rack			Individual Pack			
6571-36-**-4	Trays	36" (914 mm)W x 2 ⁷ / ₁₆ " (62 mm)D x 3 ¹⁵ / ₁₆ " (100 mm)H	Polymer Trays	20	21 lbs.	\$13.35 ea.
6571-72-**-4	Trays	72" (1829 mm)W x 2 ⁷ / ₁₆ " (62 mm)D x 3 ¹⁵ / ₁₆ " (100 mm)H	Polymer Trays	20	36 lbs.	\$30.60 ea.
ST-97-**-4	End Caps, Screws			40 Pr.	3.8 lbs.	\$7.10 pr.
6571-60-52	Tube of Adhesive	2 Gram		1	.1 lbs.	\$5.80
6571-61-52	Bottle of Adhesive	1 Ounce		1	.1 lbs.	\$30.45

NOTE:

6571: Extruded cut-to-size trays, components must be ordered separately.

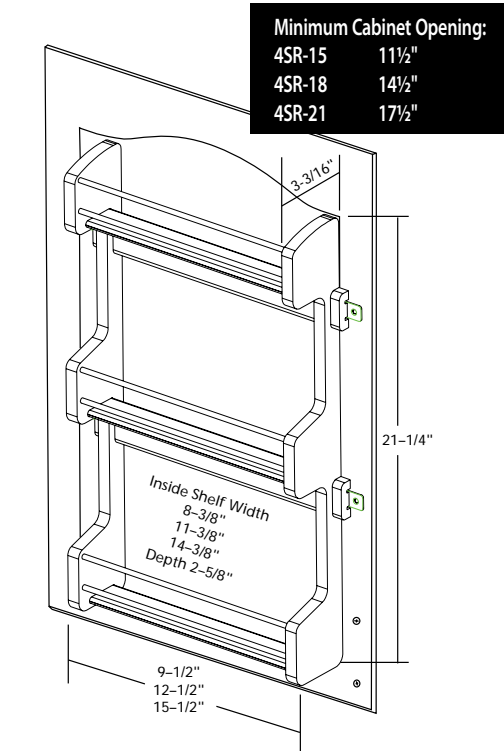
** Trays Available in two colors—11-White, 15-Almond

4SR SERIES

Maintain shelf space and keep spices within reach with a Wood Classic Door Mount Spice Rack. Made of attractive maple hardwood, this storage saver is available for Wall 15", 18" and 21" cabinets. The 4SR Series features a UV-Cured clear finish that ensures an acceptable match to most cabinets and easily installs with just four screws.

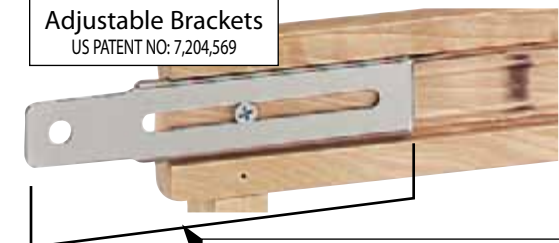


DOOR MOUNT SPICE RACK



Back View of Adjustable Brackets

US PATENT NO: 7,204,569



Up to 5" of adjustability, just loosen screws, adjust, then retighten.

PRODUCT #s	DESCRIPTION	PRODUCT DIMENSIONS	FINISH	SET PER CARTON	WEIGHT PER CARTON	SUGGESTED LIST PRICE
Door Mount Spice Rack			Individual Pack			
4SR-15	Wall 15 Door Mount Spice Rack	10 ¹ / ₂ " (267 mm)W x 3 ³ / ₈ " (81 mm)D x 21 ¹ / ₄ " (540 mm)H	Wood	1	3 lbs.	\$44.65
4SR-18	Wall 18 Door Mount Spice Rack	13 ¹ / ₂ " (343 mm)W x 3 ³ / ₈ " (81 mm)D x 21 ¹ / ₄ " (540 mm)H	Wood	1	4 lbs.	\$53.50
4SR-21	Wall 21 Door Mount Spice Rack	16 ¹ / ₂ " (419 mm)W x 3 ³ / ₈ " (81 mm)D x 21 ¹ / ₄ " (540 mm)H	Wood	1	5 lbs.	\$62.95

CONTAINS:

(1) Door Mount Spice Rack and 4 Screws, AMB BRACKETS: US PATENT NO: 7,204,569

NOTE:

Height between shelves is 8⁵/₈" (219 mm)

4ASR SERIES

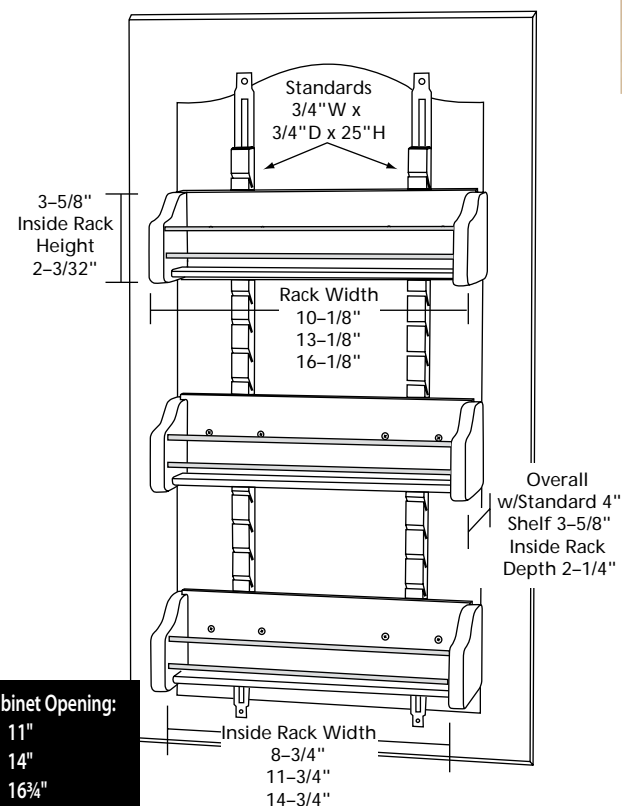
ADJUSTABLE DOOR MOUNT SPICE RACK

Add space, flexibility and convenience with Rev-A-Shelf's Adjustable Door Mount Spice Rack. This beautiful maple hardwood rack is available for Wall 15", 18" and 21" cabinets. The 4ASR Series features adjustable shelves, a UV-Cured clear finish, and generous shelf space to house spice bottles up to 2 1/4" diameter.



Our storage organizers include patented brackets that offer up to an extra 5" of mounting adjustability. The AMB attachment is designed to extend mounting options to the thick portion of the door increasing installation flexibility and eliminating the need for sub-door panels. US PATENT NO: 7,204,569

Up to 5" of adjustability, just loosen screws, adjust, then retighten.



Minimum Cabinet Opening:
 4ASR-15 11"
 4ASR-18 14"
 4ASR-21 16 1/2"

Bracket on back of shelf for attaching to standards

PRODUCT #S	DESCRIPTION	PRODUCT DIMENSIONS	FINISH	SET PER CARTON	WEIGHT PER CARTON	SUGGESTED LIST PRICE
Adjustable Door Mount Spice Rack						
Individual Pack						
4ASR-15	Wall 15 Adjustable Door Mount Spice Rack	10 1/2" (257 mm)W x 4" (102 mm)D x 25" (635 mm)H	Wood	1	4 lbs.	\$89.05
4ASR-18	Wall 18 Adjustable Door Mount Spice Rack	13 1/2" (333 mm)W x 4" (102 mm)D x 25" (635 mm)H	Wood	1	5 lbs.	\$110.05
4ASR-21	Wall 21 Adjustable Door Mount Spice Rack	16 1/2" (410 mm)W x 4" (102 mm)D x 25" (635 mm)H	Wood	1	6 lbs.	\$131.25
Door Mount Spice Rack Components						
Bulk Pack						
4ASR-25STD-20	25" Door Mount Spice Rack Standards		Wood	20	10 lbs.	\$9.70 ea.
4ASR-31STD-20	31" Door Mount Spice Rack Standards		Wood	20	12 lbs.	\$10.30 ea.
4ASR-37STD-20	37" Door Mount Spice Rack Standards		Wood	20	14 lbs.	\$11.45 ea.
4ASR-15BIN-10	Wall 15 Bins ONLY	10 1/2" (257 mm)W x 3 3/8" (92 mm)D x 3 3/8" (92 mm)H	Wood	10	11 lbs.	\$23.80 ea.
4ASR-18BIN-10	Wall 18 Bins ONLY	13 1/2" (333 mm)W x 3 3/8" (92 mm)D x 3 3/8" (92 mm)H	Wood	10	13 lbs.	\$32.50 ea.
4ASR-21BIN-10	Wall 21 Bins ONLY	16 1/2" (410 mm)W x 3 3/8" (92 mm)D x 3 3/8" (92 mm)H	Wood	10	15 lbs.	\$38.30 ea.

CONTAINS: (3) Shelves, (2) 25" Slotted Standards and Screws, AMB BRACKETS: US PATENT NO: 7,204,569

4WVFR SERIES

VERTICAL FOIL RACK



Designed for 15", 18" and 21" Wall cabinets this beautiful wood organizer brings your foil and storage bags within easy reach while freeing up valuable drawer and pantry space. Made from maple with chrome rails it is ideal for any decor and the patented adjustable mounting brackets ensure easy installation on various door styles.



Patented Adjustable Mounting Brackets ensure that your doors are not damaged.

Minimum Cabinet Opening:
 4WFR-15-1 11"
 4WFR-18-1 13 3/4"
 4WFR-21-1 16 1/2"

PRODUCT #S	DESCRIPTION	PRODUCT DIMENSIONS	FINISH	SET PER CARTON	WEIGHT PER CARTON	SUGGESTED LIST PRICE
Vertical Foil Rack						
Individual Pack						
4WFR-15-1	Vertical Foil Rack for 15" Cabinet	10 1/2" (257 mm)W x 4" (102 mm)D x 8" (203 mm)H	Wood	1	2.5 lbs.	\$57.55
4WFR-18-1	Vertical Foil Rack for 18" Cabinet	13 1/2" (334 mm)W x 4" (102 mm)D x 8" (203 mm)H	Wood	1	3 lbs.	\$61.90
4WFR-21-1	Vertical Foil Rack for 21" Cabinet	16 1/2" (410 mm)W x 4" (102 mm)D x 8" (203 mm)H	Wood	1	3.5 lbs.	\$66.40

4WB-411 SERIES

STATIC RATTAN BASKETS



Increase functionality while enhancing kitchen design with Rev-A-Shelf's Static Rattan Baskets. Attractive and practical, the various basket sizes offer endless storage options and feature 100% cotton off-white cloth liners.

PAGE 69

BASE CABINET STATIC BASKETS



PRODUCT #S	DESCRIPTION	PRODUCT DIMENSIONS	FINISH	SET PER CARTON	WEIGHT PER CARTON	SUGGESTED LIST PRICE
Static Rattan Basket						
Individual Pack						
4WB-411-4	Static Rattan Basket	4" (102 mm)W x 10 1/2" (277 mm)D x 4 1/4" (108 mm)H	Wicker	4	3 lbs.	\$28.85 ea.

NOTE: 4WB-411 Series Sold as a set of (4), Suggested List Price is per basket. These items are hand-woven rattan baskets, allow 1/8" total variance.

CONTAINS: 4WB-411 Series (4) Rattan Baskets and (4) Canvas Liners

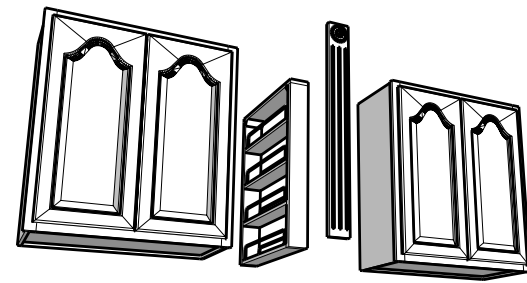
432 SERIES

WALL FILLER PULLOUT ORGANIZER



Create a functional storage space behind those decorative panels with this wall filler cabinet. We didn't just create another organizer... we created the whole cabinet that transforms decorative fillers into useful storage pullouts. The 432 Series is available for 3" and 6" wall and base cabinet applications and features adjustable shelves with chrome rails and full-extension ball bearing slides.

SOFT-CLOSE VERSIONS COMING SOON!



THIS PRODUCT IS INSTALLED BETWEEN TWO CABINETS. ONLY THE FACE MUST BE ADDED!



PRODUCT #'s	DESCRIPTION	PRODUCT DIMENSIONS	FINISH	SET PER CARTON	WEIGHT PER CARTON	SUGGESTED LIST PRICE
Individual Pack						
432-WF-3C	30" Tall 3" Filler Organizer	3" (76 mm)W x 11 1/8" (283 mm)D x 30" (762 mm)H	Wood	1	12 lbs.	\$145.45
432-WF-6C	30" Tall 6" Filler Organizer	6" (152 mm)W x 11 1/8" (283 mm)D x 30" (762 mm)H	Wood	1	19 lbs.	\$181.10
432-WF36-3C	36" Tall 3" Filler Organizer	3" (76 mm)W x 11 1/8" (283 mm)D x 36" (915 mm)H	Wood	1	16 lbs.	\$155.15
432-WF36-6C	36" Tall 6" Filler Organizer	6" (152 mm)W x 11 1/8" (283 mm)D x 36" (915 mm)H	Wood	1	23 lbs.	\$190.55
432-WF39-3C	39" Tall 3" Filler Organizer	3" (76 mm)W x 11 1/8" (283 mm)D x 39" (991 mm)H	Wood	1	14.5 lbs.	\$155.60
432-WF39-6C	39" Tall 6" Filler Organizer	6" (152 mm)W x 11 1/8" (283 mm)D x 39" (991 mm)H	Wood	1	23.5 lbs.	\$193.85
432-WF42-3C	42" Tall 3" Filler Organizer	3" (76 mm)W x 11 1/8" (283 mm)D x 42" (1067 mm)H	Wood	1	20 lbs.	\$165.00
432-WF42-6C	42" Tall 6" Filler Organizer	6" (152 mm)W x 11 1/8" (283 mm)D x 42" (1067 mm)H	Wood	1	25 lbs.	\$200.25

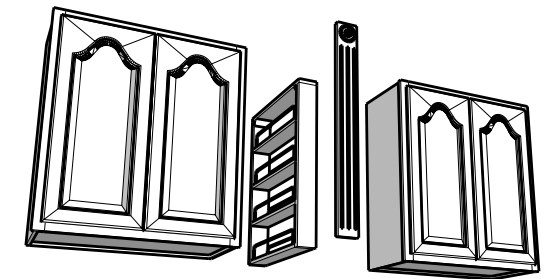
CONTAINS:
(1) completely assembled organizer with 100# Weight Rated, full-extension slides and adjustable shelves

434 SERIES

WALL FILLER PULLOUT ORGANIZER



Utilize and personalize the space wasted behind decorative fillers with this ground-breaking storage option. Rev-A-Shelf's 434 series accommodates 30" tall Wall cabinets with 3" and 6" width versions. We didn't just create another organizer... we created the whole cabinet that transforms decorative fillers into storage pullouts. The fillers feature full-extension ball bearing slides, black accessory hooks and pegs, and a magnetic grade stainless steel panel that provide endless storage customization from keys, to kitchen utensils



THIS PRODUCT IS INSTALLED BETWEEN TWO CABINETS. ONLY THE FACE MUST BE ADDED!



MESSAGE BOARD KIT
SEE PAGE 74 FOR OTHER ACCESSORIES

PRODUCT #'s	DESCRIPTION	PRODUCT DIMENSIONS	FINISH	SET PER CARTON	WEIGHT PER CARTON	SUGGESTED LIST PRICE
Individual Pack						
434-WF-3SS	3" Perforated Filler Organizer	3" (76 mm)W x 11 1/8" (283 mm)D x 30" (762 mm)H	Wood	1	14 lbs.	\$210.10
434-WF-6SS	6" Perforated Filler Organizer	6" (152 mm)W x 11 1/8" (283 mm)D x 30" (762 mm)H	Wood	1	24 lbs.	\$255.50
434-MB-KIT	434 Message Board		White	1	3 lbs.	\$29.60

CONTAINS: 1 completely assembled organizer with full-extension slide, adjustable shelves, and a variety of hooks and pegs.
434-MB-KIT: Message Board, Eraser, Markers, and Marker Holder.

WALL ACCESSORIES
REV-A-SHELF
Wood Classics

WALL ACCESSORIES
REV-A-SHELF
Wood Classics

448-WC SERIES

PULLOUT SHELVING SYSTEM

Introducing the Wood Classic Adjustable Shelf Pullout with chrome rails designed for wall 9" and wall 12" cabinets. The 448 Series features our technologically advanced patent pending "tri-slides" for complete stability and patented door mount brackets providing up to 5 inches of flexibility for trouble-free installation on any door style. This unique storage solution includes three adjustable shelves and offers up to five surface areas by utilizing the top of the unit to provide another shelf for taller 36" or 42" applications.



448-WC-5C



448-WC-8C



Tri-Slide (US PATENT NO: 7,306,301)



Adjustable Door Mount Brackets

US PATENT NO: 7,204,569

PAGE 80
BASE CABINET VERSION



Installation is easy with the 448 Series. From the underside of the cabinet simply screw the wood block to the bottom of the cabinet for complete stability.

PRODUCT #s	DESCRIPTION	PRODUCT DIMENSIONS	FINISH	SET PER CARTON	WEIGHT PER CARTON	SUGGESTED LIST PRICE
Wall Pullout Shelving System						
Individual Pack						
448-WC-5C	Wall 9" Pullout	5" (127 mm)W x 10¾" (237 mm)D x 26¼" (667 mm)H	Wood	1	14 lbs.	\$129.90
448-WC-8C	Wall 12" Pullout	8" (204 mm)W x 10¾" (237 mm)D x 26¼" (667 mm)H	Wood	1	20 lbs.	\$146.75
448-HP-523C	Wood Hood Pullout	5" (127 mm)W x 10¾" (237 mm)D x 23" (584 mm)H	Wood	1	13.25 lbs.	\$169.95

CONTAINS: (1) Pullout Shelving System, Chrome Rails, and Full-Extension Tri-Slides. AMB BRACKETS: US PATENT NO: 7,204,569 :: TRI-SLIDE: US PATENT NO: 7,306,301

Top Rails add 1¼" (32 mm)

444 SERIES

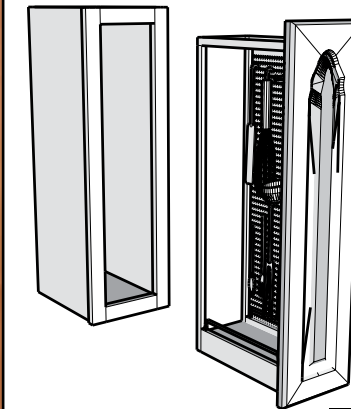
WALL PULLOUT ORGANIZER



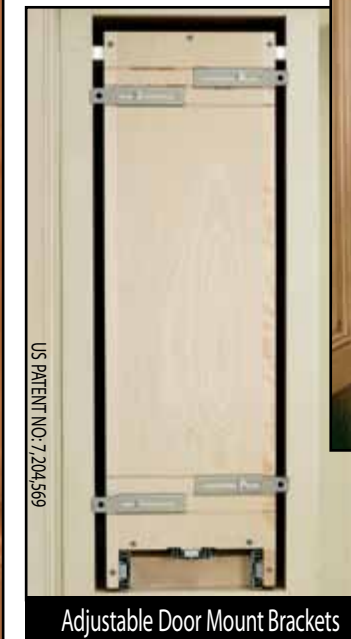
PAGE 84
BASE CABINET VERSION

Magnetic Grade Stainless Steel Panel

Functional and organized wall cabinets are now possible with the 444 Series. Designed for Wall 9" cabinets, this pullout features maple wood construction with chrome accents, magnetic grade stainless steel panel and an array of included accessory hooks that allow you to customize your storage needs. Additional features include patented "tri-slides" that prevent any side-to-side motion and provide complete stability when pulled out of the cabinet and patented door mount brackets that allow up to 5 inches of flexibility for trouble-free installation on any door style. Additional accessory hooks can be purchased separately (see page 70).



THIS PRODUCT IS INSTALLED IN A TYPICAL 9" WALL CABINET WITH A 5½" TO 6" OPENING.



US PATENT NO: 7,204,569

Adjustable Door Mount Brackets



Message Board Kit

PRODUCT #s	DESCRIPTION	PRODUCT DIMENSIONS	FINISH	SET PER CARTON	WEIGHT PER CARTON	SUGGESTED LIST PRICE
Wall Pullout Organizer						
Individual Pack						
444-WC-55S	Wall Cabinet w/Stainless Steel Panel	5" (127 mm)W x 10¾" (273 mm)D x 26¼" (667 mm)H	Wood	1	12 lbs.	\$193.30
434-MB-KIT	Message Board Kit		White	1	3 lbs.	\$29.60

CONTAINS: 444-WC-55S: One completely assembled organizer with full-extension slides, chrome rails, rub bushings, and a variety pegs and hooks. 434-MB-KIT: Message Board, Eraser, Markers, and Marker Holder. AMB BRACKETS: US PATENT NO: 7,204,569 :: TRI-SLIDE: US PATENT NO: 7,306,301

WALL ACCESSORIES

REV-A-SHELF
Wood Classics

WALL ACCESSORIES

REV-A-SHELF
Wood Classics

3000 SERIES

WINE AND STEMWARE RACKS

Now available in Oil Rubbed Bronze. The entire collection provides both durability and elegance, featuring heavy gauge wire construction and hidden mounting. Easy to install, the 3150, 3250, and 3450 under cabinet stemware and wine bottle racks are ideal for showcasing wine and glass collections. Available now in four finishes traditional Chrome, stylish Satin Nickel, beautiful Brass, and breathtaking Oil Rubbed Bronze; the varying finishes are certain to complement any décor. The 3000 Series encompasses a unique 11" Quad that holds up to 12 glasses, 11", 16", and 18" single stemware racks and a double wine bottle rack.



QUAD STEMWARE HOLDER IN OIL RUBBED BRONZE

3450-11ORB • 3250ORB

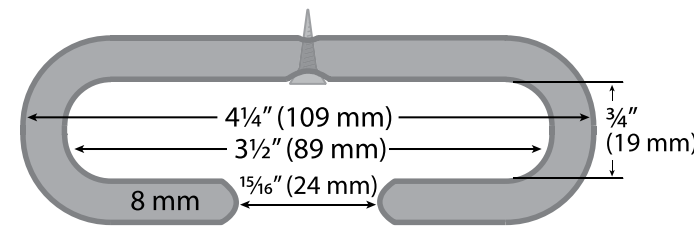
PRODUCT #S	DESCRIPTION	PRODUCT DIMENSIONS	FINISH	SET PER CARTON	WEIGHT PER CARTON	SUGGESTED LIST PRICE
Chrome Collection				Individual Pack		
3150-11CR	11" Stemware Holder	4¼" (108 mm)W x 11" (280 mm)D x 1½"(38 mm)H	Chrome	1	.8 lbs.	\$8.10
3150-16CR	16" Stemware Holder	4¼" (108 mm)W x 16" (407 mm)D x 1½"(38 mm)H	Chrome	1	1.2 lbs.	\$9.55
3150-18CR	18" Stemware Holder	4¼" (108 mm)W x 18" (457 mm)D x 1½"(38 mm)H	Chrome	1	2 lbs.	\$10.75
3250CR	Double Bottle Rack	4¼" (108 mm)W x 9" (229 mm)H x ⅝"(16 mm)Thick	Chrome	1	1.5 lbs.	\$13.80
3450-11CR	11" Quad Stemware Holder	17" (432 mm)W x 11" (280 mm)D x 1½"(38 mm)H	Chrome	1	4 lbs.	\$29.75
Satin Nickel Collection				Individual Pack		
3150-11SN	11" Stemware Holder	4¼" (108 mm)W x 11" (280 mm)D x 1½"(38 mm)H	Satin Nickel	1	.8 lbs.	\$9.30
3150-16SN	16" Stemware Holder	4¼" (108 mm)W x 16" (407 mm)D x 1½"(38 mm)H	Satin Nickel	1	1.2 lbs.	\$11.00
3150-18SN	18" Stemware Holder	4¼" (108 mm)W x 18" (457 mm)D x 1½"(38 mm)H	Satin Nickel	1	2 lbs.	\$12.35
3250SN	Double Bottle Rack	4¼" (108 mm)W x 9" (229 mm)H x ⅝"(16 mm)Thick	Satin Nickel	1	1.5 lbs.	\$15.35
3450-11SN	11" Quad Stemware Holder	17" (432 mm)W x 11" (280 mm)D x 1½"(38 mm)H	Satin Nickel	1	4 lbs.	\$34.65
Brass Collection				Individual Pack		
3150-11BR	11" Stemware Holder	4¼" (108 mm)W x 11" (280 mm)D x 1½"(38 mm)H	Brass	1	.8 lbs.	\$9.55
3150-16BR	16" Stemware Holder	4¼" (108 mm)W x 16" (407 mm)D x 1½"(38 mm)H	Brass	1	1.2 lbs.	\$11.60
3150-18BR	18" Stemware Holder	4¼" (108 mm)W x 18" (457 mm)D x 1½"(38 mm)H	Brass	1	2 lbs.	\$12.90
3250BR	Double Bottle Rack	4¼" (108 mm)W x 9" (229 mm)H x ⅝"(16 mm)Thick	Brass	1	1.5 lbs.	\$16.10
3450-11BR	11" Quad Stemware Holder	17" (432 mm)W x 11" (280 mm)D x 1½"(38 mm)H	Brass	1	4 lbs.	\$36.25
Oil Rubbed Bronze Collection				Individual Pack		
3150-11ORB	11" Stemware Holder	4¼" (108 mm)W x 11" (280 mm)D x 1½"(38 mm)H	Oil Rubbed Bronze	1	.8 lbs.	\$10.90
3150-16ORB	16" Stemware Holder	4¼" (108 mm)W x 16" (407 mm)D x 1½"(38 mm)H	Oil Rubbed Bronze	1	1.2 lbs.	\$12.35
3150-18ORB	18" Stemware Holder	4¼" (108 mm)W x 18" (457 mm)D x 1½"(38 mm)H	Oil Rubbed Bronze	1	2 lbs.	\$13.80
3250ORB	Double Bottle Rack	4¼" (108 mm)W x 9" (229 mm)H x ⅝"(16 mm)Thick	Oil Rubbed Bronze	1	1.5 lbs.	\$19.30
3450-11ORB	11" Quad Stemware Holder	17" (432 mm)W x 11" (280 mm)D x 1½"(38 mm)H	Oil Rubbed Bronze	1	4 lbs.	\$38.85

3000 SERIES

WINE AND STEMWARE RACKS



3150-11CR **8MM HEAVY-GAUGE WIRE**



3150-11SN and 3250SN



Oil Rubbed Bronze



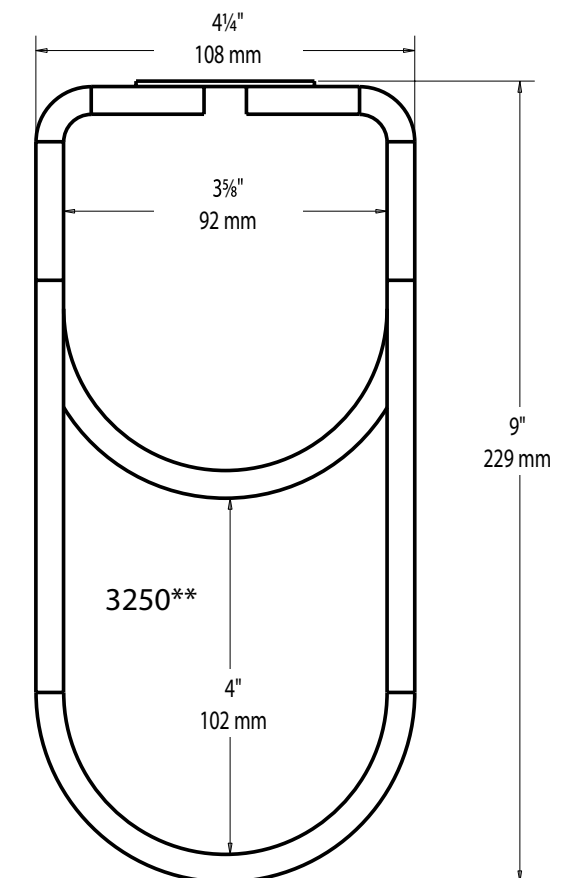
Satin Nickel



Chrome



Brass



3250**

WALL ACCESSORIES

Premiere Cabinet Accessories

WALL ACCESSORIES

Premiere Cabinet Accessories

5PD SERIES

PREMIERE PULL-DOWN SHELVING SYSTEM

No need to drag a dining room chair into the kitchen to reach everything in your wall cabinet when you have Rev-A-Shelf's magnificent Pull-Down Shelving System. The 5PD Series is a chrome-plated two-tier pull-down shelf that brings hard-to-reach items down 10" while pulling out 14-3/4" from the cabinet. This functional pullout locks into the down position for hands free accessibility and features a unique gas assisted lifting/lowering mechanism that provides unparalleled stability through the entire range of motion. The Pull-Down Shelving System includes both side and bottom mount brackets, pre-assembled baskets for easy installation and is available for Wall 24" and 36" cabinets.



Bottom Mounted

5PD-24CR

WALL ACCESSORIES

Premiere Cabinet Accessories



Locks into lowered position

5PD SERIES

PREMIERE PULL-DOWN SHELVING SYSTEM

**FOR
DETAILED
SPECS
SEE
NEXT PAGE**



Side Mounted

5PD-24CR

Side Mounted

WALL ACCESSORIES

Premiere Cabinet Accessories

PRODUCT #s	DESCRIPTION	PRODUCT DIMENSIONS	FINISH	SET PER CARTON	WEIGHT PER CARTON	SUGGESTED LIST PRICE
Pull-Down Shelving System			Individual Pack			
5PD-24CRN	Pull-Down Shelving System	See Drawings on Next Page	Metal/Chrome	1	23 lbs.	\$445.90
5PD-36CRN	Pull-Down Shelving System	See Drawings on Next Page	Metal/Chrome	1	27 lbs.	\$469.35

CONTAINS:
(1) shelving unit, mounting brackets, screws and instructions



WALL
ACCESSORIES

REV-A-SHELF®

800.626.1126 • rev-a-shelf.com



Multidecor S. de R.L. de C.V.
 Cuadrante de San Francisco Núm. 14-1
 Col. Cuadrante de San Francisco. C.P. 04320, México D.F.
 info@multidecor.com.mx (55) 5554 5858 / (55) 5544 3737
 www.multidecor.com.mx