



REV-A-SHELF™



multidecor

Multidecor S. de R.L. de C.V.

Cuadrante de San Francisco Núm. 14-1

Col. Cuadrante de San Francisco. C.P. 04320, México D.F.

info@multidecor.com.mx (55) 5554 5858 / (55) 5544 3737

www.multidecor.com.mx

SINK & BASE ACCESSORIES

Most of our organizers are designed for base cabinets but we also have innovative products that are unique to any other category like our notorious sink front trays, fashionable rattan basket and stunning heavy-duty chrome mixer lift. These popular accessories are designed with the same superior quality and tremendous versatility adherent throughout the Rev-A-Shelf product line.

563 SERIES

TOWEL HOLDER & PULLOUT TOWEL BAR

Store dish towels where you need them, right under the kitchen sink. The 563-32 Towel Holder is made of white wire and fastens to any cabinet door holding up to three dish towels. The 563-47 Pullout Towel Bar is the perfect example of user-friendly with 3 prongs that slide-out of the cabinet 12" for total convenience. This Pullout Towel bar is available in white or chrome and features universal brackets for right or left hand mounting.



PRODUCT #s	DESCRIPTION	PRODUCT DIMENSIONS	FINISH	SET PER CARTON	WEIGHT PER CARTON	SUGGESTED LIST PRICE
Towel Holders				Individual Pack		
563-32	Towel Holder	12¾" (324 mm)W x 3½" (89 mm)D x 6½" (165 mm)H	White	1	.55 lbs.	\$5.20
563-32 C	Towel Holder	12¾" (324 mm)W x 3½" (89 mm)D x 6½" (165 mm)H	Chrome	1	.4 lbs.	\$5.65
563-47	3 Prong Towel Bar	5" (127 mm)W x 17¾" (451 mm)D x 1¼" (32 mm)H	White	1	2.6 lbs.	\$27.40
563-47 C	3 Prong Towel Bar	5" (127 mm)W x 17¾" (451 mm)D x 1¼" (32 mm)H	Chrome	1	2 lbs.	\$30.30

CONTAINS:
563-32 (1) Towel holder w/ mounting screws. 563-47 (1) Pullout Towel Bar, 3 prong model with 12" (305 mm) extension, face frame spacers, and mounting screws.

563 SERIES

PULLOUT TOWEL BAR

Keeping your kitchen tidy and helping the environment is easy with this stylish two pronged towel bar. This pullout towel bar brings your reusable kitchen towels to you on an easy glide ball bearing slide, cutting down your use of paper products. Easy four-screw installation and left or right hand mounting capabilities makes it the perfect addition to any kitchen.



PRODUCT #s	DESCRIPTION	PRODUCT DIMENSIONS	FINISH	SET PER CARTON	WEIGHT PER CARTON	SUGGESTED LIST PRICE
Towel Holder				Individual Pack		
563-51-C	2 Prong Towel Bar	3¾" (99 mm)W x 12¾" (327 mm)D x 1½" (38 mm)H	Chrome	1	2.6 lbs.	\$20.15

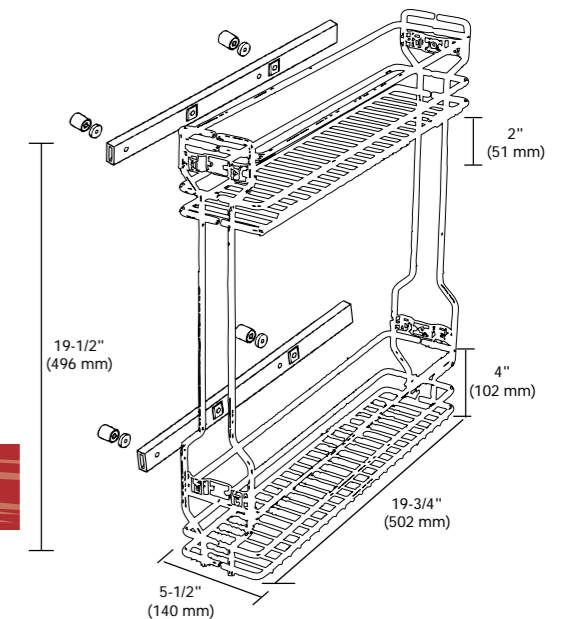
CONTAINS:
(1) Pullout Towel Bar, 2 prong model, mounting screws.

548 SERIES

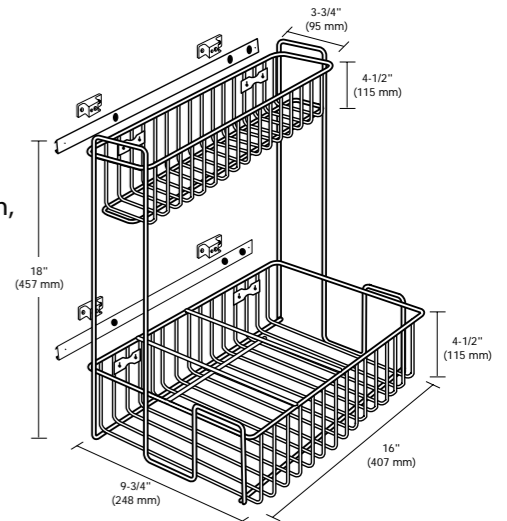
PULLOUT ORGANIZERS (SIDE MOUNT)



548-06
Keep 2 liter bottles stored in this easy-to-reach base pullout. The 548-06 Base Organizer is designed for Base 9" cabinets and features universal brackets for right or left hand mounting, ball bearing slides and a door mountable wire frame.



548-10
Attain optimum storage and accessibility for items kept under the kitchen sink with the Sink Base Organizer. The 548-10 is designed to fit around most plumbing applications and features a sturdy white wire construction, universal brackets for right or left hand mounting and ball bearing slides.



PRODUCT #s	DESCRIPTION	PRODUCT DIMENSIONS	FINISH	SET PER CARTON	WEIGHT PER CARTON	SUGGESTED LIST PRICE
Base Organizers				Individual Pack		
548-06	Two-Tier Base Organizer	5½" (140 mm)W x 19¾" (502 mm)D x 19½" (498 mm)H	White Wire	1	7 lbs.	\$134.00
548-10	Sink Base Organizer	9¾" (248 mm)W x 16" (407 mm)D x 18" (457 mm)H	White Wire	1	6.5 lbs.	\$110.80

CONTAINS:
548-06 Base 9" Organizer with reversible ball bearing slides and 12½" (318 mm) extension with door mounting capability. Mounting screws and spacers included for slides
548-10 Reversible Base Organizer with 16" (407 mm) slides. Mounting screws and spacers included for slides.

596 SERIES

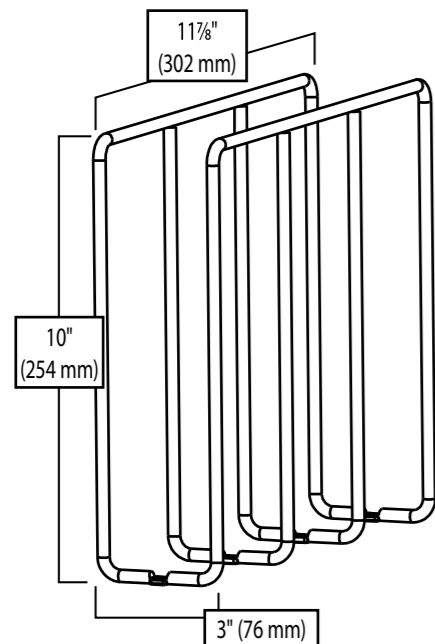
U-SHAPED TRAY DIVIDER

Storing platters and cookie trays just got easier with the U-Shaped Tray Divider. Use one or more to create custom storage space in either wall or base cabinets. The sturdy construction and beautiful chrome finish provide durability and style while the easy four-screw installation gets you organizing your cabinets in seconds.

Use two for extra storage



Simple bottom mount installation



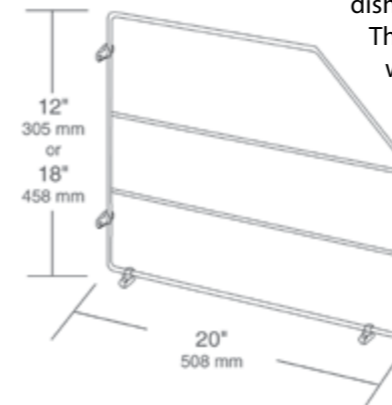
PRODUCT #s	DESCRIPTION	PRODUCT DIMENSIONS	FINISH	SET PER CARTON	WEIGHT PER CARTON	SUGGESTED LIST PRICE
U-Shaped Tray Divider Individual Pack						
596-10CR-52	U-Shaped Tray Divider	3" (76 mm)W x 11 7/8" (302 mm)D x 10" (254 mm)H	Chrome	1	2.2 lbs.	\$20.30

597 SERIES

TRAY DIVIDERS WITH CLIPS

A no-brainer for organizing today's kitchens, Rev-A-Shelf tray dividers are a practical solution for storing baking sheets, serving dishes, cake pans and more.

The 597 Series is available in white or chrome with 12" (wall cabinet) or 18" (base cabinet) height options. Each divider includes 4 screw-in clips & fasteners.



597-18CR



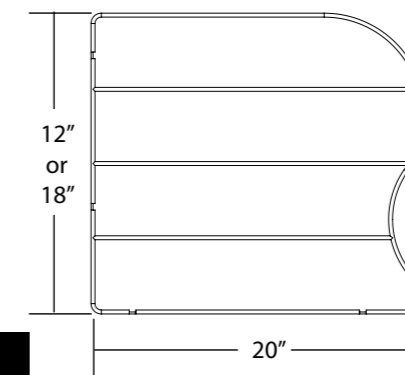
PRODUCT #s	DESCRIPTION	PRODUCT DIMENSIONS	FINISH	SET PER CARTON	WEIGHT PER CARTON	SUGGESTED LIST PRICE
Tray Divider (White Wire) Individual Pack						
597-12-52	Tray Divider with Clips	3/4" (19 mm)W x 20" (508 mm)D x 12" (305 mm)H	White Wire	1 pc.	2 lbs.	\$9.70
597-18-52	Tray Divider with Clips	3/4" (19 mm)W x 20" (508 mm)D x 18" (458 mm)H	White Wire	1 pc.	2 lbs.	\$10.60
Tray Divider (White Wire) Bulk Pack						
597-12-10	Tray Divider with Clips	3/4" (19 mm)W x 20" (508 mm)D x 12" (305 mm)H	White Wire	10 pc.	12 lbs.	\$7.40 ea.
597-18-10	Tray Divider with Clips	3/4" (19 mm)W x 20" (508 mm)D x 18" (458 mm)H	White Wire	10 pc.	14 lbs.	\$8.10 ea.
Tray Divider (Chrome Wire) Individual Pack						
597-12CR-52	Tray Divider with Clips	3/4" (19 mm)W x 20" (508 mm)D x 12" (305 mm)H	Chrome Wire	1 pc.	2 lbs.	\$13.35
597-18CR-52	Tray Divider with Clips	3/4" (19 mm)W x 20" (508 mm)D x 18" (458 mm)H	Chrome Wire	1 pc.	2 lbs.	\$14.05
Tray Divider (Chrome Wire) Bulk Pack						
597-12CR-10	Tray Divider with Clips	3/4" (19 mm)W x 20" (508 mm)D x 12" (305 mm)H	Chrome Wire	10 pc.	12 lbs.	\$10.75 ea.
597-18CR-10	Tray Divider with Clips	3/4" (19 mm)W x 20" (508 mm)D x 18" (458 mm)H	Chrome Wire	10 pc.	14 lbs.	\$11.60 ea.

CONTAINS: 597-12/18-52 (1) tray dividers with four (4) screw-in clips & fasteners 597-12/18-10 (10) Tray Dividers per size with (4) screw-in clips & fasteners per set. 597-12/18CR-52 (1) tray divider with (4) screw-in clips & fasteners 597-12/18CR-10 (10) Tray Dividers per size with (4) screw-in clips & fasteners per set.

LD SERIES

CHROME TRAY DIVIDER

These wire tray dividers are perfect for organizing baking sheets, serving dishes, and more! They are available in 12" and 18" heights, both in 20" depth. They feature a beautiful chrome finish and the dividers screw directly into cabinet back and bottom.



Great for Wall Cabinets or above a stove!



PRODUCT #s	DESCRIPTION	PRODUCT DIMENSIONS	FINISH	SET PER CARTON	WEIGHT PER CARTON	SUGGESTED LIST PRICE
Chrome Tray Divider Individual Pack						
LD-597-12CR-1	12" LD Chrome Tray Divider	See Chart	Chrome	1	2 lbs.	\$13.35
LD-597-18CR-1	18" LD Chrome Tray Divider	See Chart	Chrome	1	2.5 lbs.	\$14.05
Chrome Tray Divider Bulk Pack						
LD-597-12CR-10	12" LD Chrome Tray Divider	See Chart	Chrome	10	20 lbs.	\$10.75 ea.
LD-597-18CR-10	18" LD Chrome Tray Divider	See Chart	Chrome	10	25 lbs.	\$11.60 ea.

HURV SERIES

Organize your kitchen, bathroom, closet, garage...the options are endless with this universal hamper/utility basket. The HURV Series features a polymer basket, sturdy wire frame, full-extension slides and easy installation with just four screws.



PULLOUT UTILITY BASKET

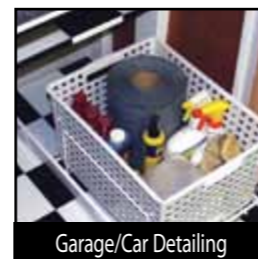
OTHER APPLICATIONS



Use In The Bathroom...
Door Mounts Using Part # RV DM KIT



Laundry Room Hamper



Garage/Car Detailing



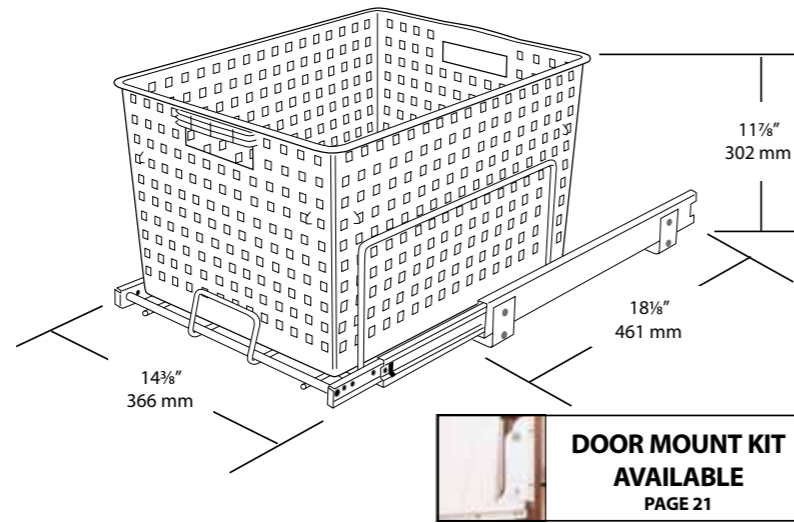
Kitchen/Cleaning Supplies



Easy Removal



Fits Under Plumbing



DOOR MOUNT KIT AVAILABLE
PAGE 21

PRODUCT #s	DESCRIPTION	PRODUCT DIMENSIONS	FINISH	SET PER CARTON	WEIGHT PER CARTON	SUGGESTED LIST PRICE
Polymer Utility Basket						
HURV-1512 S	Utility Basket	14 3/8" (366 mm)W x 18 1/2" (461 mm)D x 11 7/8" (302 mm)H	Polymer	1	10 lbs.	\$141.25
HUB-470X8	Replacement Utility Basket		Polymer	1	5 lbs.	\$46.85

CONTAINS:

(1) Polymer utility basket with frame, full-extension slides and 4 screws, 100# Weight Rating Door Mount Brackets Sold Separately (RV DM KIT)

544 SERIES

UNDERSINK CHROME BASKET

Cleaning just got easier with the Under Sink Caddy. Now you can store multiple cleaning items in one place and carry them with you with the removable caddy. The unique handle adjusts to accommodate plumbing fixtures and the reversible/removable top tray is ideal for paper towel or sponge storage.



Removable caddy allows you to take cleaning items with you and the added bottom bumpers provide stability and protect surfaces from marring.



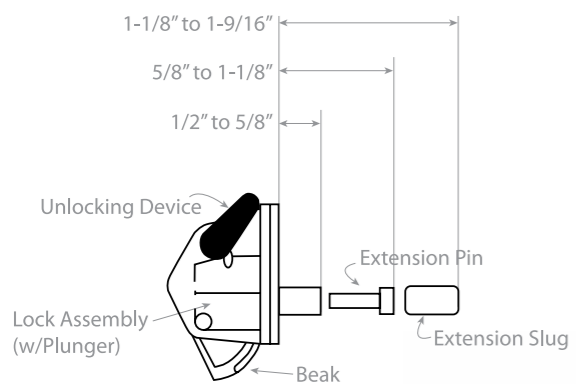
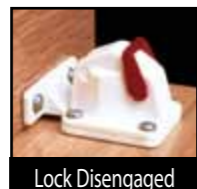
Adjustable handle that slides horizontally and a reversible/removable top tray to accommodate plumbing fixtures

PRODUCT #s	DESCRIPTION	PRODUCT DIMENSIONS	FINISH	SET PER CARTON	WEIGHT PER CARTON	SUGGESTED LIST PRICE
Undersink Chrome Basket						
544-10C-1	Undersink Chrome Basket	11 1/4" (286 mm)W x 16 1/4" (413 mm)D x 19 1/2" (498 mm)H	Chrome	1	4.5 lbs.	\$84.10

RL SERIES

CABINET SECURITY-REV•A•LOCK®

Introducing the revolutionary peace of mind accessory for any parent or grandparent, the Rev-A-Lock. This security device is one-of-a-kind with powerful magnetic locks that can attach to wood, glass, metal, and particleboard cabinets for a guaranteed safeguard from curious little hands. To open the cabinet, simply hold the magnetic key against the cabinet door to disengage the lock. The RL Series also features an unlocking device that allows a disabling of the lock so cabinets can be opened without the key.



The lock will install on thickness of 1/2" (13 mm) to 1 1/16" (40 mm) and operate through wood, glass, metal and particle board.



ADDITIONAL COLORS AVAILABLE VIA SPECIAL ORDER! CONTACT YOUR SALES PERSON FOR MORE INFORMATION!

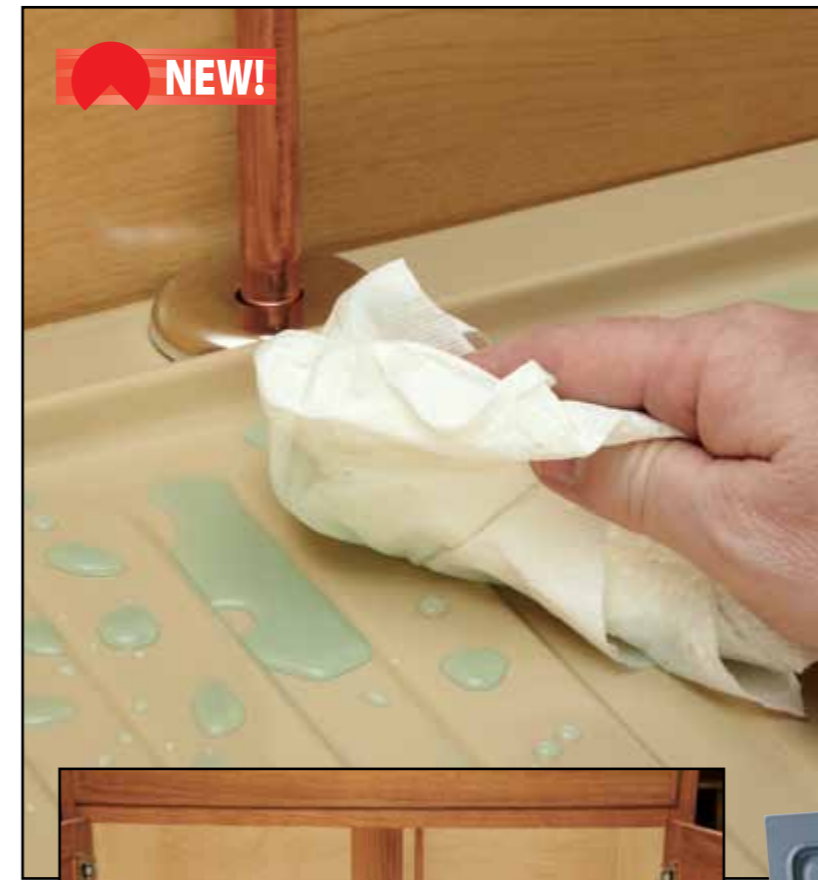
PRODUCT #s	DESCRIPTION	FINISH	SET PER CARTON	WEIGHT PER CARTON	SUGGESTED LIST PRICE
Rev-A-Lock Cabinet Security Components					
RAL-101-1	Starter Set (5 Locks & 2 Keys)	White Polymer	1	.6 lbs.	\$57.00
RL-201-1	Lock Assembly	White Polymer	25	.06 lbs.	\$9.45
RL-202-1	Magnetic Key	White Polymer	25	.08 lbs.	\$13.20

NOTES: Components Bulk Packed: All locks include unlocking device & extension slug. Bulk packaging minimum (25) sets per carton. Starter Set is individually packed in UPS carton.

SBDT SERIES

DRIP TRAY

The SBDT is your first line of defense against under sink cabinet damage from minor leaks. The unique design not only protects the bottom of your cabinet by holding water the tray actually funnels excessive water to the front of your cabinet and out onto the floor alerting you of the leak. Designed for installation in NEW 30", 36" and 40" sink base cabinet construction, they can be cut down to fit a 27", 33" or 39" cabinets, and the sleek surface makes for easy clean up.



NEW!



SEE PAGE 174 FOR VANITY VERSION

RECOMMENDED FOR NEW CABINETRY. PRODUCT MAY BE DIFFICULT TO INSTALL AFTER SINK AND COUNTERTOP ARE INSTALLED.

TRAY CAPACITY

SBDT-2730	1.46 QT.
SBDT-3336	1.77 QT.
SBDT-3942	2.15 QT.



S: Metallic Silver, A: Almond

PRODUCT #s	DESCRIPTION	PRODUCT DIMENSIONS	MINIMUM TRIM	FINISH	SET PER CARTON	WEIGHT PER CARTON	SUGGESTED LIST PRICE
Drip Tray Individual Pack							
SBDT-2730-A-1	Drip Tray	28 1/2" (724 mm)W x 23 1/4" (591 mm)D x 3/4" (19 mm)H	25 1/2" (648 mm) x 21 1/2" (546 mm)	Almond	1	4 lbs.	\$51.75
SBDT-2730-S-1	Drip Tray	28 1/2" (724 mm)W x 23 1/4" (591 mm)D x 3/4" (19 mm)H	25 1/2" (648 mm) x 21 1/2" (546 mm)	Metallic Silver	1	4 lbs.	\$57.00
SBDT-3336-A-1	Drip Tray	34 1/2" (877 mm)W x 23 1/4" (591 mm)D x 3/4" (19 mm)H	31 1/2" (800 mm) x 21 1/2" (546 mm)	Almond	1	4 lbs.	\$57.55
SBDT-3336-S-1	Drip Tray	34 1/2" (877 mm)W x 23 1/4" (591 mm)D x 3/4" (19 mm)H	31 1/2" (800 mm) x 21 1/2" (546 mm)	Metallic Silver	1	4 lbs.	\$63.30
SBDT-3942-A-1	Drip Tray	40 1/2" (1029 mm)W x 23 1/4" (591 mm)D x 3/4" (19 mm)H	37 1/2" (953 mm) x 21 1/2" (546 mm)	Almond	1	8 lbs.	\$63.35
SBDT-3942-S-1	Drip Tray	40 1/2" (1029 mm)W x 23 1/4" (591 mm)D x 3/4" (19 mm)H	37 1/2" (953 mm) x 21 1/2" (546 mm)	Metallic Silver	1	8 lbs.	\$69.75
Drip Tray Bulk Pack							
SBDT-2730-A-12	Drip Tray	28 1/2" (724 mm)W x 23 1/4" (591 mm)D x 3/4" (19 mm)H	25 1/2" (648 mm) x 21 1/2" (546 mm)	Almond	12	48 lbs.	\$44.35
SBDT-2730-S-12	Drip Tray	28 1/2" (724 mm)W x 23 1/4" (591 mm)D x 3/4" (19 mm)H	25 1/2" (648 mm) x 21 1/2" (546 mm)	Metallic Silver	12	48 lbs.	\$48.85
SBDT-3336-A-12	Drip Tray	34 1/2" (877 mm)W x 23 1/4" (591 mm)D x 3/4" (19 mm)H	31 1/2" (800 mm) x 21 1/2" (546 mm)	Almond	12	48 lbs.	\$49.30
SBDT-3336-S-12	Drip Tray	34 1/2" (877 mm)W x 23 1/4" (591 mm)D x 3/4" (19 mm)H	31 1/2" (800 mm) x 21 1/2" (546 mm)	Metallic Silver	12	48 lbs.	\$54.25
SBDT-3942-A-12	Drip Tray	40 1/2" (1029 mm)W x 23 1/4" (591 mm)D x 3/4" (19 mm)H	37 1/2" (953 mm) x 21 1/2" (546 mm)	Almond	12	96 lbs.	\$54.25
SBDT-3942-S-12	Drip Tray	40 1/2" (1029 mm)W x 23 1/4" (591 mm)D x 3/4" (19 mm)H	37 1/2" (953 mm) x 21 1/2" (546 mm)	Metallic Silver	12	96 lbs.	\$59.60

SINK & BASE ACCESSORIES
REV-A-SHELF Accessible Storage

SINK & BASE ACCESSORIES

548 SERIES

CHROME BASE ORGANIZER

This Chrome Base Organizer slides smoothly on our patented Tri-Slide system (with ball-bearing slides), and features 2 adjustable Polymer Shelves. It can be used in both Full Height or Door/Drawer Applications and includes our patented Door Mounting System. US PATENT NO: 7,204,569



PRODUCT #s	DESCRIPTION	PRODUCT DIMENSIONS	FINISH	SET PER CARTON	WEIGHT PER CARTON	SUGGESTED LIST PRICE
Chrome Base Organizer						
548-BC-8C	Chrome Base Organizer	77" (200 mm) W x 22½" (572 mm) D x 19¼" (489 mm) H	Chrome	1	14 lbs.	\$158.05

Individual Pack

5CW2 SERIES

TWO-TIER COOKWARE ORGANIZER

Revolutionize the way you store your pots, pans, and lids with the Two-Tier Cookware Organizer. The 5CW2 features independently operating shelves that accommodate a variety of cookware sizes and brands. The top tier organizes lids and the bottom tier features adjustable dividers to store a variety of larger pots and pans. These beautiful organizer are designed for Base 15 or 24 cabinets and are made with a heavy-duty chrome plated wire frame and 100 lbs. rated full-extension ball-bearing slides. The bottom, side, and rear mounting provide you the sturdiness you expect and easy installation. Door mounting is also an option with the RV Series Door Mounting Kit.



Storage for 7 lids

Adjustable Dividers



Door Mount Brackets Available
See Page 52 for More Details.



PRODUCT #s	DESCRIPTION	PRODUCT DIMENSIONS	MINIMUM OPENING	SET PER FINISH	WEIGHT PER CARTON	SUGGESTED CARTON	LIST PRICE
Two-Tier Cookware Organizer							Individual Pack
5CW2-1222-CR	12" Two-Tier Cookware Organizer	11¾" (299 mm) W x 22" (559 mm) D x 18" (457 mm) H	11½" (292 mm)	Chrome	1	21 lbs.	\$155.90
5CW2-2122-CR	21" Two-Tier Cookware Organizer	20¾" (527 mm) W x 22" (559 mm) D x 18" (460 mm) H	20½" (521 mm)	Chrome	1	39 lbs.	\$284.20
RV DM17 KIT	Heavy Duty Door Mount Kit (Includes Euro Adapter Kit)			Silver Epoxy	1	2 lbs.	\$31.75

CONTAINS: (2 pair) full-extension slides - 100# Weight Rating, (2) U-Brackets, (1) Adjustable Rear Mounting Bracket
NOTES: Easy assembly, installs with seven screws.

5WB SERIES

SINGLE PULLOUT CHROME BASKETS

This chrome wire basket is ideal for organizing your valuable pots, pans, and other bulky items! The 5WB Series Chrome Baskets feature full-extension ball bearing slides, Heavy-Duty Chrome plated frames, and are easy to install (only four screws). The 5WB Series is available in 18", 20", and 22" slides and a variety of widths to fit many different applications.

AVAILABLE IN 18", 20" & 22" DEPTHS!



Door Mount Brackets Available!



Slide units install easily with four screws!

PRODUCT #s	DESCRIPTION	PRODUCT DIMENSIONS	MIN. OPENING	FINISH	SET PER CARTON	WEIGHT PER CARTON	SUGGESTED LIST PRICE
Single Chrome Pullout Basket							
Individual Pack							
5WB1-0918-CR	9" Single Pullout Wire Basket	8¾" (213 mm)W x 18" (457 mm)D x 7" (178 mm)H	8½" (216 mm)	Chrome	1	7.5 lbs.	\$52.95
5WB1-1218-CR	12" Single Pullout Wire Basket	11¾" (289 mm)W x 18" (457 mm)D x 7" (178 mm)H	11½" (292 mm)	Chrome	1	8.3 lbs.	\$56.85
5WB1-1220-CR	12" Single Pullout Wire Basket	11¾" (289 mm)W x 20" (508 mm)D x 7" (178 mm)H	11½" (292 mm)	Chrome	1	9.9 lbs.	\$64.80
5WB1-1520-CR	15" Single Pullout Wire Basket	14¾" (365 mm)W x 20" (508 mm)D x 7" (178 mm)H	14½" (368 mm)	Chrome	1	11.2 lbs.	\$72.50
5WB1-1222-CR	12" Single Pullout Wire Basket	11¾" (289 mm)W x 22" (559 mm)D x 7" (178 mm)H	11½" (292 mm)	Chrome	1	9.6 lbs.	\$70.45
5WB1-1522-CR	15" Single Pullout Wire Basket	14¾" (365 mm)W x 22" (559 mm)D x 7" (178 mm)H	14½" (368 mm)	Chrome	1	10.7 lbs.	\$78.45
5WB1-1822-CR	18" Single Pullout Wire Basket	17¾" (441 mm)W x 22" (559 mm)D x 7" (178 mm)H	17½" (445 mm)	Chrome	1	11.9 lbs.	\$84.85
5WB1-2122-CR	21" Single Pullout Wire Basket	20¾" (518 mm)W x 22" (559 mm)D x 7" (178 mm)H	20½" (521 mm)	Chrome	1	13.1 lbs.	\$93.80
5WB-DMKIT	Door Mount Kit			Silver	1	3 lbs.	\$32.35

CONTAINS: (1) Wire Basket, full-extension slides - 100# Weight Rating
NOTES: Comes fully assembled and installs with four screws.

5WB SERIES

DOUBLE PULLOUT CHROME BASKETS

This Double Wire Basket by Rev-A-Shelf features full-extension ball bearing slides, and Heavy-Duty Chrome plated baskets. Installation is simple as well, mount the bottom bracket to the floor of your cabinet, then attach the upper bracket using the back of the cabinet and face frame. The 5WB Series is available in 18" or 22" slides and a variety of widths to fit many different applications.



AVAILABLE IN 18" AND 22" DEPTHS!



Top View: U-Shaped Support Bracket mounts to cabinet floor.



The telescoping Rear Mounting Bracket (Upper) attaches to the back wall of your cabinet.

(Upper) slide has two vertical mounting points to choose from; 2" apart.

(Upper) slide attaches to the face frame of your cabinet.

3½" Depth Adjustment

PRODUCT #s	DESCRIPTION	PRODUCT DIMENSIONS	MIN. OPENING	FINISH	SET PER CARTON	WEIGHT PER CARTON	SUGGESTED LIST PRICE
Double Chrome Pullout Basket							
Individual Pack							
5WB2-0918-CR	9" Double Pullout Wire Basket	8¾" (222 mm) W x 18" (457 mm)D x 19" (483 mm)H	8½" (216 mm)	Chrome	1	14.8 lbs.	\$118.90
5WB2-1218-CR	12" Double Pullout Wire Basket	11¾" (299 mm) W x 18" (457 mm)D x 19" (483 mm)H	11½" (292 mm)	Chrome	1	16.5 lbs.	\$131.25
5WB2-1222-CR	12" Double Pullout Wire Basket	11¾" (299 mm) W x 22" (559 mm)D x 19" (483 mm)H	11½" (292 mm)	Chrome	1	18.9 lbs.	\$147.45
5WB2-1522-CR	15" Double Pullout Wire Basket	14¾" (375 mm) W x 22" (559 mm)D x 19" (483 mm)H	14½" (368 mm)	Chrome	1	20.5 lbs.	\$150.20
5WB2-1822-CR	18" Double Pullout Wire Basket	17¾" (451 mm) W x 22" (559 mm)D x 19" (483 mm)H	17½" (445 mm)	Chrome	1	22.2 lbs.	\$163.25
5WB2-2122-CR	21" Double Pullout Wire Basket	20¾" (527 mm) W x 22" (559 mm)D x 19" (483 mm)H	20½" (521 mm)	Chrome	1	23.9 lbs.	\$176.75
5WB-DMKIT	Door Mount Kit			Silver	1	3 lbs.	\$32.35

CONTAINS: (2) Wire Baskets, (2 pair) full-extension slides - 100# Weight Rating, (2) U-Brackets, (1) Adjustable Rear Mounting Bracket
NOTES: Easy assembly, installs with seven screws.

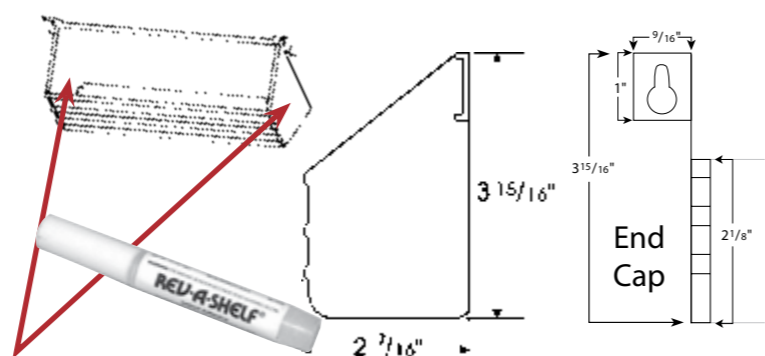
SINK & BASE ACCESSORIES
Rev-A-Shelf
 Accessible Storage

SINK & BASE ACCESSORIES
Rev-A-Shelf
 Accessible Storage

6551 SERIES

36" SINK FRONT (TIP-OUT) TRAYS

Designed for custom projects, the extruded polymer tip-out/spice tray is available in 36" or 72" sizes that can be trimmed to the desired length. This versatile tray includes molded polymer end caps with key-shaped holes for easy removal and cleaning. Simply cut the tray to the desired size, attach the end caps with the adhesive provided and install on the false front panel. The 6551 Series can be used as a tip-out tray or a spice rack and is available in white or almond.



Custom cut trays to length and glue end caps on with Rev-A-Glue. (Included)

PRODUCT #s	DESCRIPTION	PRODUCT DIMENSIONS	FINISH	SET PER CARTON	WEIGHT PER CARTON	SUGGESTED LIST PRICE
36" Tray with Hinges and End Caps						
Individual Pack						
6551-36-**-52	1 Tray - 2 Pair Hinges & End Caps	36" (914 mm)W x 2 7/16" (62 mm)D x 3 15/16" (100 mm)H	Polymer Trays	1	2 lbs.	\$40.00
6551-36-**-50	1 Tray - 1 Pair Hinges & End Caps	36" (914 mm)W x 2 7/16" (62 mm)D x 3 15/16" (100 mm)H	Polymer Trays	1	2 lbs.	\$27.25
6551-36-**-ETH	1 Tray - 1 Pair Hinges & End Caps	36" (914 mm)W x 2 7/16" (62 mm)D x 3 15/16" (100 mm)H	Polymer Trays	1	2.5 lbs.	\$33.50
Bulk Pack by Components						
6552-97-**-4	Hinges, End Caps, Inst. & Adhesive			40 Pr.	15.5 lbs.	\$13.20 pr.
6552-ETH-**-10	Hinges, End Caps, Inst. & Adhesive			10 Pr.	4.1 lbs.	\$15.35 pr.
6571-36-**-4	Trays ONLY	36" (914 mm)W x 2 7/16" (62 mm)D x 3 15/16" (100 mm)H	Polymer Trays	20	19 lbs.	\$13.35 ea.
6571-72-**-4	Trays ONLY	72" (1829 mm)W x 2 7/16" (62 mm)D x 3 15/16" (100 mm)H	Polymer Trays	20	35.4 lbs.	\$30.60 ea.
Components for Tip-Out or Spice Tray Applications						
ST-97-**-4	End Caps, Screws			40 Pr.	3.8 lbs.	\$7.10 pr.
6571-60-52	Tube of Adhesive	2 Gram		1	.1 lbs.	\$5.80
6571-61-52	Bottle of Adhesive	1 Ounce		1	.1 lbs.	\$30.45

NOTES:

6552 Series End cap/Hinge sets are individually poly bagged, bulk packed.
Sink Front Trays can also be installed into Vanity Sink Base Cabinets! ** Available colors: 11 White, 15 Almond

6561 SERIES

FALSE FRONT TIP-OUT TRAYS WITH TAB STOPS



If you are looking for an affordable alternative to the conventional tray systems, try our polymer tip-out trays with tab stops. The 6562 Series installs easily with standard hinges and features high-resistant tabs to prevent easy breaking. The Sink Front Tip-Out Trays With Tab Stops are available in 11" and 14" widths and white or almond colors.

PRODUCT #s	DESCRIPTION	PRODUCT DIMENSIONS	FINISH	SET PER CARTON	WEIGHT PER CARTON	SUGGESTED LIST PRICE
Trays with Tab Stops						
Individual Pack						
6562-11-**-52	Two 11" Trays with Tab Stops	12 1/2" (318 mm)W x 2 1/8" (54 mm)D x 3 15/16" (97 mm)H	Polymer Trays	1	.85 lbs.	\$14.35
6562-14-**-52	Two 14" Trays with Tab Stops	15 1/2" (394 mm)W x 2 1/8" (54 mm)D x 3 15/16" (97 mm)H	Polymer Trays	1	.9 lbs.	\$15.10
Bulk Pack by Components						
6561-11-**-4	Forty 11" Trays with Tab Stops	12 1/2" (318 mm)W x 2 1/8" (54 mm)D x 3 15/16" (97 mm)H	Polymer Trays	40 Trays	15.5 lbs.	\$5.65 ea.
6561-14-**-4	Forty 14" Trays with Tab Stops	15 1/2" (394 mm)W x 2 1/8" (54 mm)D x 3 15/16" (97 mm)H	Polymer Trays	40 Trays	20 lbs.	\$5.65 ea.

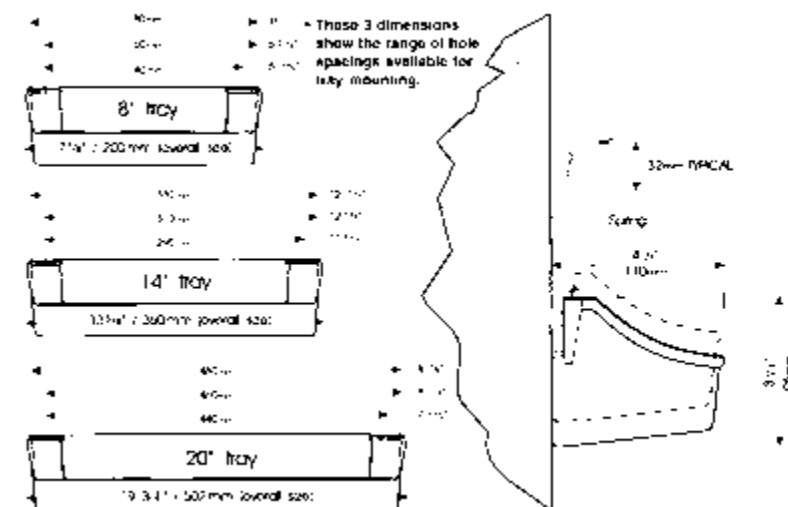
NOTES:

** Product available in two colors: 11 White & 15 Almond

6230 SERIES

DOOR STORAGE TRAY SETS

Expand cabinet space with the handy Door Storage Tray set. The 6230 Series is available in two or five tray sets with three different tray sizes. This space saver is easy to install with screw-in clips or mount the trays to 24" or 58" standards with tray clips (sold separately). Sets are available in white or almond.



PRODUCT #s	DESCRIPTION	PRODUCT DIMENSIONS	FINISH	SET PER CARTON	WEIGHT PER CARTON	SUGGESTED LIST PRICE
Two Tray Set with Clips						
Individual Pack						
6232-08-**-52	Tray with Screw-In Clips	7 7/8" (200 mm)W x 4 1/4" (110 mm)D x 3 3/8" (95 mm)H	Polymer	1	1.2 lbs.	\$23.05
6232-14-**-52	Tray with Screw-In Clips	13 3/4" (350 mm)W x 4 1/4" (110 mm)D x 3 3/8" (95 mm)H	Polymer	1	2 lbs.	\$24.80
6232-20-**-52	Tray with Screw-In Clips	19 3/4" (502 mm)W x 4 1/4" (110 mm)D x 3 3/8" (95 mm)H	Polymer	1	2 lbs.	\$31.30
Five Tray Set with Clips						
Individual Pack						
6235-08-**-52	Tray with Screw-In Clips	7 7/8" (200 mm)W x 4 1/4" (110 mm)D x 3 3/8" (95 mm)H	Polymer	1	2 lbs.	\$54.65
6235-14-**-52	Tray with Screw-In Clips	13 3/4" (350 mm)W x 4 1/4" (110 mm)D x 3 3/8" (95 mm)H	Polymer	1	3 lbs.	\$59.30
6235-20-**-52	Tray with Screw-In Clips	19 3/4" (502 mm)W x 4 1/4" (110 mm)D x 3 3/8" (95 mm)H	Polymer	1	5 lbs.	\$71.80

NOTES: Our Door Storage trays are packaged with Screw-In Clips instead of Tray Clips. The Tray Clips will be packaged with the mounting standards to complete the set package. (Mounting Standards must be ordered separately.) ** Available colors: 11 White, 15 Almond

6232 SERIES

STANDARDS FOR DOOR STORAGE



Aluminum Standard with Adjustable Clip



Aluminum Standard w/Clip

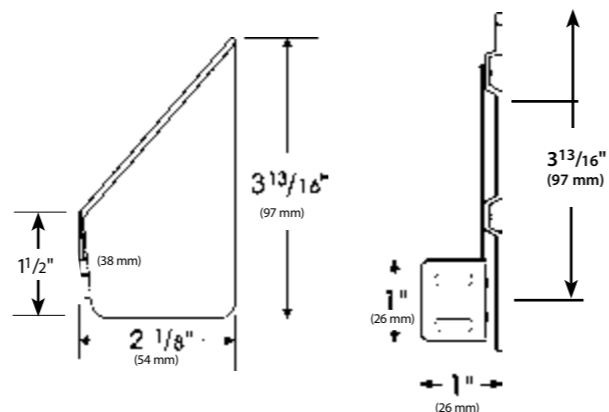
PRODUCT #s	DESCRIPTION	PRODUCT DIMENSIONS	FINISH	SET PER CARTON	WEIGHT PER CARTON	SUGGESTED LIST PRICE
Door Storage Standards (2 Standards)						
Individual Pack						
6232-26-4528-52	Standards with 4 clips	26" (660 mm)	Bright Aluminum	1 pr.	.7 lbs.	\$43.50 ea.
6232-58-4528-52	Standards with 10 clips	58" (1473 mm)	Bright Aluminum	1 pr.	2 lbs.	\$60.90 ea.

CONTAINS: (2) door storage standards with Tray Clips. NOTE: Wood Door Storage Trays are located on page 67.

6572/6581/6591 SERIES

SINK FRONT (TIP-OUT) TRAYS

Rev-A-Shelf's most popular Sink Front Tip-Out Tray Set, the 6572 Series includes one conventional open tray, one accessory tray with ring holder and soap dish, and 2 pairs of Self-Holdin® hinges. The 6572 Series is made of high-impact polystyrene and is available in 11" or 14" sizes in white or almond. Trays can be purchased individually without hinges in a bulk 40-tray pack.



PRODUCT #'s	DESCRIPTION	PRODUCT DIMENSIONS	FINISH	SET PER CARTON	WEIGHT PER CARTON	SUGGESTED LIST PRICE
False Front Tip-Out Tray System (Std./Acc.)						Individual Pack
6572-11-**-52	Std/Acc Trays with Hinges	11" (280 mm)W x 2 1/8" (54 mm)D x 3 13/16" (97 mm)H	Polymer Trays	1	2 lbs.	\$27.55
6572-14-**-52	Std/Acc Trays with Hinges	14" (356 mm)W x 2 1/8" (54 mm)D x 3 13/16" (97 mm)H	Polymer Trays	1	2.3 lbs.	\$27.85
False Front Tip-Out Tray System (Std./Acc.)						Bulk Pack
6572-11-**-4	Std/Acc Trays with Hinges	11" (280 mm)W x 2 1/8" (54 mm)D x 3 13/16" (97 mm)H	Polymer Trays	20	26 lbs.	\$30.60 ea.
6572-14-**-4	Std/Acc Trays with Hinges	14" (356 mm)W x 2 1/8" (54 mm)D x 3 13/16" (97 mm)H	Polymer Trays	20	29 lbs.	\$25.50 ea.
False Front Tip-Out Trays						Bulk Pack
6581-11-**-4	Standard Trays	11" (280 mm)W x 2 1/8" (54 mm)D x 3 13/16" (97 mm)H	Polymer Tray	40 Trays	12.1 lbs.	\$5.80 ea.
6581-14-**-4	Standard Trays	14" (356 mm)W x 2 1/8" (54 mm)D x 3 13/16" (97 mm)H	Polymer Tray	40 Trays	14 lbs.	\$5.80 ea.
6591-11-**-4	Accessory Trays	11" (280 mm)W x 2 1/8" (54 mm)D x 3 13/16" (97 mm)H	Polymer Tray	40 Trays	13.1 lbs.	\$5.80 ea.
6591-14-**-4	Accessory Trays	14" (356 mm)W x 2 1/8" (54 mm)D x 3 13/16" (97 mm)H	Polymer Tray	40 Trays	15 lbs.	\$5.80 ea.

CONTAINS:

6572 Series: Each set has (1) Standard and (1) Accessory tray and 2-pair of Self-Holdin® hinges.

6581 Series: 40 STANDARD molded polymer sink front trays.

6591 Series: 40 ACCESSORY molded polymer trays with ring holder and soap dish.

NOTES:

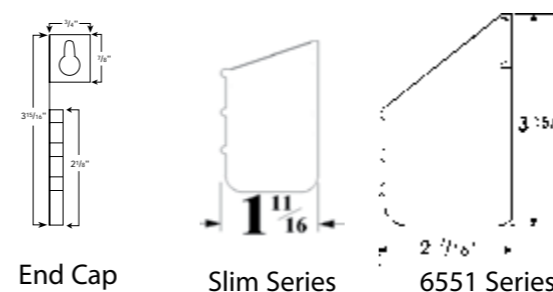
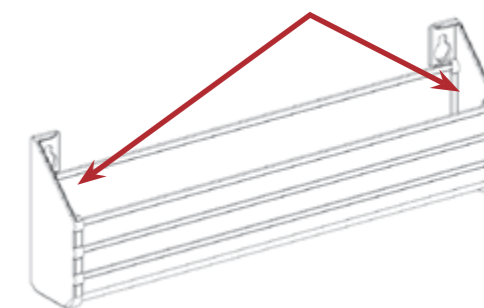
For use with 2 fronts on sink base cabinet. ** Available colors: 11 White, 15 Almond

6540 SERIES

SLIM SERIES SINK FRONT (TIP-OUT) TRAYS

Tip-out trays are a must-have for every kitchen and bathroom! Perfect for hiding sponges and scouring pads out of sight yet keeping them easily accessible, the Slim Series is designed to accommodate minimum clearance openings for large sink applications. The 6540 Series is available in 11" or 14" solid or extruded tray kits in white or almond.

Custom cut trays to length and glue end caps on with Rev-A-Glue. (Included)



PRODUCT #'s	DESCRIPTION	PRODUCT DIMENSIONS	FINISH	SET PER CARTON	WEIGHT PER CARTON	SUGGESTED LIST PRICE
2 Trays with 2 Pr. of Hinges						Individual Pack
6542-11-**-52	Trays with hinges	11" (280 mm)W x 1 1/16" (42 mm)D x 3 13/16" (100 mm)H	Polymer Trays	1	2 lbs.	\$30.60
6542-14-**-52	Trays with hinges	14" (360 mm)W x 1 1/16" (42 mm)D x 3 13/16" (100 mm)H	Polymer Trays	1	2.3 lbs.	\$30.75
20 - 2 Tray Sets with 40 Pr. of Hinges						Bulk Pack
6542-11-**-4	Trays with hinges	11" (280 mm)W x 1 1/16" (42 mm)D x 3 13/16" (100 mm)H	Polymer Trays	20	26 lbs.	\$29.75 ea.
6542-14-**-4	Trays with hinges	14" (360 mm)W x 1 1/16" (42 mm)D x 3 13/16" (100 mm)H	Polymer Trays	20	26 lbs.	\$30.00 ea.
Kits and Components						
6541-36-**-52	Tray, End Caps, 2 pr. hinges	36" (914 mm)W x 1 1/16" (42 mm)D x 3 13/16" (100 mm)H	Polymer Trays	1	2.3 lbs.	\$37.85
6541-36-**-50	Tray, End Caps, 1 pr. hinges	36" (914 mm)W x 1 1/16" (42 mm)D x 3 13/16" (100 mm)H	Polymer Trays	1	2.1 lbs.	\$26.25
6541-36-**-ETH	Tray, End Caps, 1 pr. hinges	36" (914 mm)W x 1 1/16" (42 mm)D x 3 13/16" (100 mm)H	Polymer Trays	1	1.5 lbs.	\$31.30
Bulk Components						
6541-36-**-4	Tray ONLY	36" (914 mm)W x 1 1/16" (42 mm)D x 3 13/16" (100 mm)H	Polymer Trays	20	19 lbs.	\$14.50 ea.
6542-97-**-4	Hinges & End Caps	For 20 - Two Tray Sets		40	10.5 lbs.	\$14.95 ea.
6542-ETH-**-10	Hinges & End Caps			10	4.0 lbs.	\$19.15 ea.

NOTES:

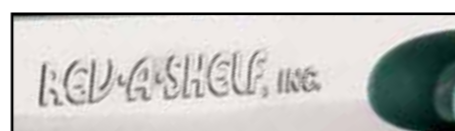
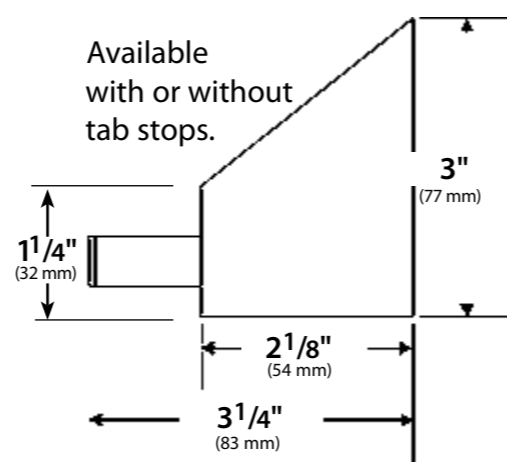
Sink Front Trays can also be installed into Vanity Sink Base cabinets.

** Available colors: 11 White, 15 Almond

6581 SERIES

STAINLESS STEEL (TIP-OUT) TRAY SETS

Contemporary and convenient, the Stainless Steel Tip-Out Tray features a sleek design with smooth, folded over edges and protective coating to eliminate sharp areas. The 6581 Series is available in ten sizes ranging from 10" to 31" in length and can be ordered with Rev-A-Shelf's patented Self-Holdin[®] hinges and custom logo or trade name stamping.



**** SPECIAL NOTE ****
CUSTOM STAMPING
of logo or trade name is available on
all Stainless Tip-Outs upon request.
80 tray minimum + die cost.

PRODUCT #s	DESCRIPTION	PRODUCT DIMENSIONS	FINISH	SET PER CARTON	WEIGHT PER CARTON	SUGGESTED LIST PRICE
20 Trays with 20 Pair Hinges						
Bulk Pack						
6581-8-4	Tip-Out Tray with Hinges	8" (203 mm)W x 2 7/8" (54 mm)D x 3" (77 mm)H	Stainless Steel	20	16 lbs.	\$24.95 ea.
6581-10-4	Tip-Out Tray with Hinges	10" (254 mm)W x 2 7/8" (54 mm)D x 3" (77 mm)H	Stainless Steel	20	16 lbs.	\$24.95 ea.
6581-11-4	Tip-Out Tray with Hinges	11 1/4" (286 mm)W x 2 7/8" (54 mm)D x 3" (77 mm)H	Stainless Steel	20	18 lbs.	\$25.40 ea.
6581-13-4	Tip-Out Tray with Hinges	13" (330 mm)W x 2 7/8" (54 mm)D x 3" (77 mm)H	Stainless Steel	20	20 lbs.	\$25.50 ea.
6581-14-4	Tip-Out Tray with Hinges	14 1/4" (362 mm)W x 2 7/8" (54 mm)D x 3" (77 mm)H	Stainless Steel	20	21 lbs.	\$25.95 ea.
6581-16-4	Tip-Out Tray with Hinges	16" (407 mm)W x 2 7/8" (54 mm)D x 3" (77 mm)H	Stainless Steel	20	22 lbs.	\$26.25 ea.
6581-19-4	Tip-Out Tray with Hinges	19" (483 mm)W x 2 7/8" (54 mm)D x 3" (77 mm)H	Stainless Steel	20	24 lbs.	\$27.10 ea.
6581-22-4	Tip-Out Tray with Hinges	22" (559 mm)W x 2 7/8" (54 mm)D x 3" (77 mm)H	Stainless Steel	20	26 lbs.	\$28.40 ea.
6581-25-4	Tip-Out Tray with Hinges	25" (635 mm)W x 2 7/8" (54 mm)D x 3" (77 mm)H	Stainless Steel	20	28 lbs.	\$29.85 ea.
6581-28-4	Tip-Out Tray with Hinges	28" (711 mm)W x 2 7/8" (54 mm)D x 3" (77 mm)H	Stainless Steel	20	30 lbs.	\$30.45 ea.
6581-31-4	Tip-Out Tray with Hinges	31" (788 mm)W x 2 7/8" (54 mm)D x 3" (77 mm)H	Stainless Steel	20	32 lbs.	\$31.20 ea.
20 Trays Only						
Bulk Pack						
6581-8-5	Tip-Out Tray Only	8" (203 mm)W x 2 7/8" (54 mm)D x 3" (77 mm)H	Stainless Steel	20	10 lbs.	\$15.95 ea.
6581-10-5	Tip-Out Tray Only	10" (254 mm)W x 2 7/8" (54 mm)D x 3" (77 mm)H	Stainless Steel	20	10 lbs.	\$15.95 ea.
6581-11-5	Tip-Out Tray Only	11 1/4" (286 mm)W x 2 7/8" (54 mm)D x 3" (77 mm)H	Stainless Steel	20	11 lbs.	\$16.70 ea.
6581-13-5	Tip-Out Tray Only	13" (330 mm)W x 2 7/8" (54 mm)D x 3" (77 mm)H	Stainless Steel	20	12 lbs.	\$16.25 ea.
6581-14-5	Tip-Out Tray Only	14 1/4" (362 mm)W x 2 7/8" (54 mm)D x 3" (77 mm)H	Stainless Steel	20	13 lbs.	\$16.55 ea.
6581-16-5	Tip-Out Tray Only	16" (407 mm)W x 2 7/8" (54 mm)D x 3" (77 mm)H	Stainless Steel	20	14 lbs.	\$16.70 ea.
6581-19-5	Tip-Out Tray Only	19" (483 mm)W x 2 7/8" (54 mm)D x 3" (77 mm)H	Stainless Steel	20	16 lbs.	\$18.0 ea.
6581-22-5	Tip-Out Tray Only	22" (559 mm)W x 2 7/8" (54 mm)D x 3" (77 mm)H	Stainless Steel	20	18 lbs.	\$19.30 ea.
6581-25-5	Tip-Out Tray Only	25" (635 mm)W x 2 7/8" (54 mm)D x 3" (77 mm)H	Stainless Steel	20	20 lbs.	\$20.90 ea.
6581-28-5	Tip-Out Tray Only	28" (711 mm)W x 2 7/8" (54 mm)D x 3" (77 mm)H	Stainless Steel	20	22 lbs.	\$21.90 ea.
6581-31-5	Tip-Out Tray Only	31" (788 mm)W x 2 7/8" (54 mm)D x 3" (77 mm)H	Stainless Steel	20	24 lbs.	\$22.20 ea.

NOTES: To order **INDIVIDUAL** packed trays with (1) pair of hinges. Order 6581-**-52 (Call for pricing) To order stainless steel trays with **TABS** [3 1/4" (83 mm)D] order 6591-**-6 (Call for pricing)
** Enter width desired US PATENT NO: 7,635,171

6541 SERIES

SLIM STAINLESS STEEL (TIP-OUT) TRAY SETS

Perfect for hiding sponges and scouring pads out of sight yet keeping them easily accessible, the Slim Series is designed to accommodate minimum clearance openings for large sink applications. The 6541 Series is available in ten sizes ranging from 10" to 31" in length and can be ordered with Rev-A-Shelf's patented Self-Holdin[®] hinges and custom logo or trade name stamping.



Regular Stainless Tip-Out

Slim Series Stainless Tip-Out

6581 Series

6541 Series



PRODUCT #s	DESCRIPTION	PRODUCT DIMENSIONS	FINISH	SET PER CARTON	WEIGHT PER CARTON	SUGGESTED LIST PRICE
20 Trays 20 Pair of Hinges						
Bulk Pack						
6541-10-4	10" Stainless Steel Slim Line Tip-Out Tray	10" (254 mm)W x 1 1/8" (43 mm)D x 3" (77 mm)H	Stainless Steel	20	15 lbs.	\$24.95 ea.
6541-11-4	11 1/4" Stainless Steel Slim Line Tip-Out Tray	11 1/4" (286 mm)W x 1 1/8" (43 mm)D x 3" (77 mm)H	Stainless Steel	20	17 lbs.	\$25.40 ea.
6541-13-4	13" Stainless Steel Slim Line Tip-Out Tray	13" (330 mm)W x 1 1/8" (43 mm)D x 3" (77 mm)H	Stainless Steel	20	19 lbs.	\$25.50 ea.
6541-14-4	14 1/4" Stainless Steel Slim Line Tip-Out Tray	14 1/4" (362 mm)W x 1 1/8" (43 mm)D x 3" (77 mm)H	Stainless Steel	20	20 lbs.	\$25.95 ea.
6541-16-4	16" Stainless Steel Slim Line Tip-Out Tray	16" (407 mm)W x 1 1/8" (43 mm)D x 3" (77 mm)H	Stainless Steel	20	21 lbs.	\$26.25 ea.
6541-19-4	19" Stainless Steel Slim Line Tip-Out Tray	19" (483 mm)W x 1 1/8" (43 mm)D x 3" (77 mm)H	Stainless Steel	20	23 lbs.	\$27.10 ea.
6541-22-4	22" Stainless Steel Slim Line Tip-Out Tray	22" (559 mm)W x 1 1/8" (43 mm)D x 3" (77 mm)H	Stainless Steel	20	25 lbs.	\$28.40 ea.
6541-25-4	25" Stainless Steel Slim Line Tip-Out Tray	25" (635 mm)W x 1 1/8" (43 mm)D x 3" (77 mm)H	Stainless Steel	20	27 lbs.	\$29.85 ea.
6541-28-4	28" Stainless Steel Slim Line Tip-Out Tray	28" (711 mm)W x 1 1/8" (43 mm)D x 3" (77 mm)H	Stainless Steel	20	29 lbs.	\$30.45 ea.
6541-31-4	31" Stainless Steel Slim Line Tip-Out Tray	31" (788 mm)W x 1 1/8" (43 mm)D x 3" (77 mm)H	Stainless Steel	20	31 lbs.	\$31.20 ea.
20 Trays Only						
Bulk Pack						
6541-10-5	10" Stainless Steel Slim Line Tip-Out Tray	10" (254 mm)W x 1 1/8" (43 mm)D x 3" (77 mm)H	Stainless Steel	20	9 lbs.	\$15.95 ea.
6541-11-5	11 1/4" Stainless Steel Slim Line Tip-Out Tray	11 1/4" (286 mm)W x 1 1/8" (43 mm)D x 3" (77 mm)H	Stainless Steel	20	10 lbs.	\$16.25 ea.
6541-13-5	13" Stainless Steel Slim Line Tip-Out Tray	13" (330 mm)W x 1 1/8" (43 mm)D x 3" (77 mm)H	Stainless Steel	20	11 lbs.	\$16.55 ea.
6541-14-5	14 1/4" Stainless Steel Slim Line Tip-Out Tray	14 1/4" (362 mm)W x 1 1/8" (43 mm)D x 3" (77 mm)H	Stainless Steel	20	12 lbs.	\$16.70 ea.
6541-16-5	16" Stainless Steel Slim Line Tip-Out Tray	16" (407 mm)W x 1 1/8" (43 mm)D x 3" (77 mm)H	Stainless Steel	20	13 lbs.	\$16.70 ea.
6541-19-5	19" Stainless Steel Slim Line Tip-Out Tray	19" (483 mm)W x 1 1/8" (43 mm)D x 3" (77 mm)H	Stainless Steel	20	14 lbs.	\$18.00 ea.
6541-22-5	22" Stainless Steel Slim Line Tip-Out Tray	22" (559 mm)W x 1 1/8" (43 mm)D x 3" (77 mm)H	Stainless Steel	20	17 lbs.	\$19.30 ea.
6541-25-5	25" Stainless Steel Slim Line Tip-Out Tray	25" (635 mm)W x 1 1/8" (43 mm)D x 3" (77 mm)H	Stainless Steel	20	19 lbs.	\$20.90 ea.
6541-28-5	28" Stainless Steel Slim Line Tip-Out Tray	28" (711 mm)W x 1 1/8" (43 mm)D x 3" (77 mm)H	Stainless Steel	20	21 lbs.	\$21.90 ea.
6541-31-5	31" Stainless Steel Slim Line Tip-Out Tray	31" (788 mm)W x 1 1/8" (43 mm)D x 3" (77 mm)H	Stainless Steel	20	23 lbs.	\$22.20 ea.

NOTES:

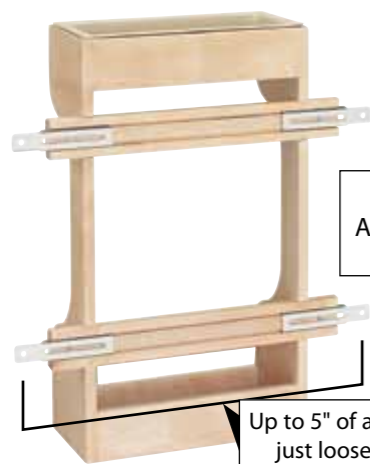
To order **INDIVIDUAL** packed trays with (1) pair of hinges. Order 6541-**-52 (Call for pricing)
** Enter width desired US PATENT NO: 7,635,171

4SBSU SERIES

SINK BASE DOOR STORAGE

Store cleaning supplies in a convenient spot under the sink with Rev-A-Shelf's Wood Sink Base Door Storage Organizer. The 4SBSU Series is made of our classic maple hardwood with a UV-cured clear finish to ensure an acceptable match to any cabinet. This handy stow-away is available in three sizes for sink base 30", 36" & 42" and features the patented adjustable door mount brackets that provide installation flexibility up to 5".

Features a polymer tray on the top shelf that can be removed for easy cleaning.



Back View of Adjustable Brackets
US PATENT: 7,204,569

Up to 5" of adjustability, just loosen screws, adjust, then retighten.



PRODUCT #s	DESCRIPTION	PRODUCT DIMENSIONS	MIN. OPENING	FINISH	SET PER CARTON	WEIGHT PER CARTON	SUGGESTED LIST PRICE
Sink Base Door Storage							
Individual Pack							
4SBSU-15	Sink Storage Shelving System	10½" (267 mm)W x 5" (127 mm)D x 18½" (470 mm)H	11½" (295 mm)	Wood	1	7 lbs.	\$55.70
4SBSU-18	Sink Storage Shelving System	13½" (343 mm)W x 5" (127 mm)D x 18½" (470 mm)H	14½" (366 mm)	Wood	1	7 lbs.	\$60.75
4SBSU-21	Sink Storage Shelving System	16½" (419 mm)W x 5" (127 mm)D x 18½" (470 mm)H	17¼" (439 mm)	Wood	1	8 lbs.	\$69.75

CONTAINS: (1) shelf system, (4) AMB (Adjustable Mounting Brackets) & (4) screws

4SPBD SERIES

GROCERY BAG HOLDER



Finally! A solution for storing all of those grocery bags! Store them easily in a convenient spot under the sink with this unique product.



Features a polymer tray on the top shelf that can be removed for easy cleaning.



Adjustable Mounting Brackets
US PATENT: 7,204,569

PRODUCT #s	DESCRIPTION	PRODUCT DIMENSIONS	MIN. OPENING	FINISH	SET PER CARTON	WEIGHT PER CARTON	SUGGESTED LIST PRICE
Sink Base Door Storage							
Individual Pack							
4SPBD-15	Grocery Bag Holder for Base 15	10½" (267 mm)W x 5" (127 mm)D x 18½" (470 mm)H	11½" (295 mm)	Wood	1	6.9 lbs.	\$70.75
4SPBD-18	Grocery Bag Holder for Base 18	13½" (343 mm)W x 5" (127 mm)D x 18½" (473 mm)H	14½" (366 mm)	Wood	1	8 lbs.	\$77.85

CONTAINS: (1) shelf system, (4) AMB (Adjustable Mounting Brackets) & (4) screws

4DMCB SERIES

DOOR MOUNT CUTTING BOARD

Quality and durability is what you'll notice about the Door Mount Cutting Board. The maple hardwood cutting board is mineral oil treated and the support racks are coated with a UV-cured clear finish that ensures an acceptable match to any cabinet.



Rear View of the Adjustable Door Mounting Brackets
US PATENT NO: 7,204,569

4DMCB-15	WIDTH	DEPTH	HEIGHT
Mount Rack	10½" (267 mm)	2⅞" (73 mm)	8" (203 mm)
Cutting Board	7¾" (197 mm)	1¼" (32 mm)	16" (407 mm)

4DMCB-18	WIDTH	DEPTH	HEIGHT
Mount Rack	13½" (343 mm)	2⅞" (73 mm)	8" (203 mm)
Cutting Board	10¾" (273 mm)	1¼" (32 mm)	16" (407 mm)

PRODUCT #s	DESCRIPTION	PRODUCT DIMENSIONS	MIN. OPENING	FINISH	SET PER CARTON	WEIGHT PER CARTON	SUGGESTED LIST PRICE
Door Mount Cutting Board							
Individual Pack							
4DMCB-15	Base 15" Door Mount Cutting Board	10½" (267 mm)W x 2⅞" (73 mm)D x 16⅞" (429 mm)H	10⅞" (276 mm)	Wood	1	7 lbs.	\$76.40
4DMCB-18	Base 18" Door Mount Cutting Board	13½" (343 mm)W x 2⅞" (73 mm)D x 16⅞" (429 mm)H	13⅞" (353 mm)	Wood	1	10 lbs.	\$86.40

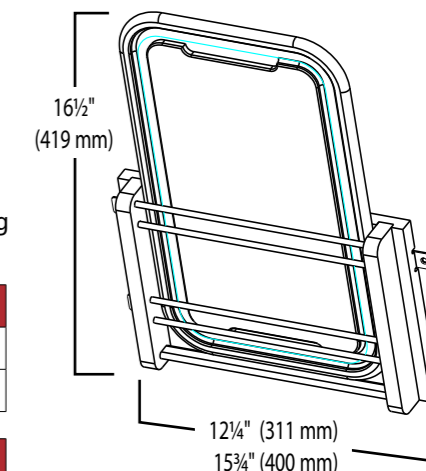
CONTAINS: Door Rack, Cutting Board and Screws. NOTE: Mounting brackets add up to 5" (128 mm) of adjustability, 2⅞" (64 mm) to each side

4DMCB SERIES

DOOR MOUNT POLYETHYLENE CUTTING BOARD



A cut above the rest is this door mounted cutting board available in 15" and 18" widths. The 4DMCB features a stylish wood and chrome support rack and an easy to clean, abrasive resistant, hygienic, non-stick Polyethylene cutting board. Installation is easy with our patented adjustable mounting brackets and 4 included screws.



Door Mounting Brackets provide 5" of adjustment!
US PATENT NO: 7,204,569

4DMCB-15P	WIDTH	DEPTH	HEIGHT
Mount Rack	12¼" (311 mm)	2" (51 mm)	8" (203 mm)
Cutting Board	9¾" (248 mm)	⅝" (16 mm)	15¾" (407 mm)

4DMCB-18P	WIDTH	DEPTH	HEIGHT
Mount Rack	15¾" (400 mm)	2" (51 mm)	8" (203 mm)
Cutting Board	13⅞" (339 mm)	⅝" (16 mm)	15¾" (407 mm)

PRODUCT #s	DESCRIPTION	PRODUCT DIMENSIONS	MIN. OPENING	FINISH	SET PER CARTON	WEIGHT PER CARTON	SUGGESTED LIST PRICE
Door Mount Polyethylene Cutting Board							
Individual Pack							
4DMCB-15P	Door Mount Polyethylene Cutting Board	12¼" (311 mm)W x 2" (51 mm)D x 16¼" (413 mm)H	12½" (318 mm)	Wood	1	6 lbs.	\$69.30
4DMCB-18P	Door Mount Polyethylene Cutting Board	15¾" (400 mm)W x 2" (51 mm)D x 16¼" (413 mm)H	15⅞" (403 mm)	Wood	1	9 lbs.	\$87.60

CONTAINS: (1) door mount cutting board, (4) AMB (Adjustable Mounting Brackets) & (4) screws US PATENT NO: 7,204,569

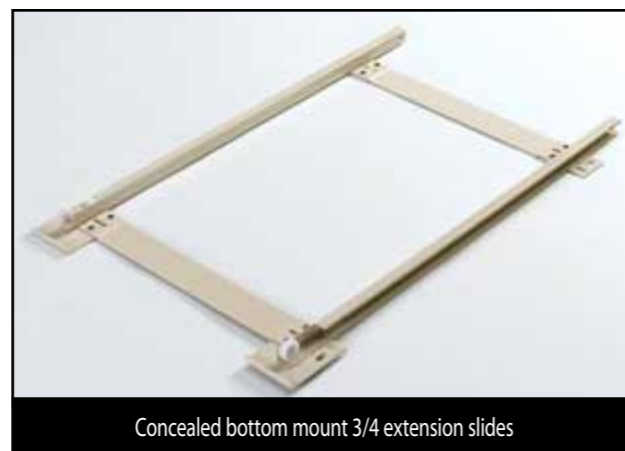
4WDB SERIES

WOOD PULLOUT DRAWER

This innovative product by Rev-A-Shelf is designed to add functionality to your base cabinets and is sturdy enough to handle years of use. Features include dovetail construction and veneer plywood for strength and a naturally beautiful finish; simple installation and concealed bottom mount 3/4 extension slides.



Solid Dovetail Construction



Concealed bottom mount 3/4 extension slides

PRODUCT #s	DESCRIPTION	PRODUCT DIMENSIONS	FINISH	SET PER CARTON	WEIGHT PER CARTON	SUGGESTED LIST PRICE
Wood Pullout Drawer Individual Pack						
4WDB-12	Base 15 Wood Pullout Drawer	11" (280 mm)W x 18 1/2" (470 mm)D x 5 5/8" (143 mm)H	Wood	1	9.15 lbs.	\$76.40
4WDB-15	Base 18 Wood Pullout Drawer	14" (356 mm)W x 22 1/2" (572 mm)D x 5 5/8" (143 mm)H	Wood	1	11.6 lbs.	\$88.75

CONTAINS: (1) Completely assembled wood pullout drawers, mounting hardware, 50# Weight Rated, 3/4 extension Euro Slides

4200 SERIES

WOOD DOOR STORAGE TRAYS

Wood has never looked so good or been so versatile. The 4231 Series Wood Storage Trays are ideal for any of your storage needs. The 11", 14" and 20" width trays are available in single or five tray sets and feature a sleek design constructed of beautiful maple with chrome accents. The door storage trays are easy to install with screw-in clips, pegboard clips or mount the trays to 26" or 58" standards with standard clips (sold separately).



11" Wood Storage Tray (4231-11-52) shown with included Screw-In Clips.



Two 14" Wood Storage Trays with optional Aluminum Standard and Clips (Sold Separately)



Aluminum Standard with Adjustable Clip

PRODUCT #s	DESCRIPTION	PRODUCT DIMENSIONS	FINISH	SET PER CARTON	WEIGHT PER CARTON	SUGGESTED LIST PRICE
Door Storage Trays Individual Pack						
4231-11-52	11" Wood Door Storage Tray W/ Screw In Clips	10 3/4" (273 mm) W x 4 1/4" (108 mm) D x 3 5/8" (91 mm) H	Wood	1 tray	1.6 lbs	\$35.40
4231-14-52	14" Wood Door Storage Tray W/ Screw In Clips	13 3/4" (349 mm) W x 4 1/4" (108 mm) D x 3 5/8" (91 mm) H	Wood	1 tray	2.1 lbs	\$39.45
4231-20-52	20" Wood Door Storage Tray W/ Screw In Clips	19 3/4" (502 mm) W x 4 1/4" (108 mm) D x 3 5/8" (91 mm) H	Wood	1 tray	2.7 lbs.	\$44.25
Door Storage Trays Bulk Pack						
4235-11-5	11" Wood Door Storage Tray w/Screw In Clips	10 3/4" (273 mm) W x 4 1/4" (108 mm) D x 3 5/8" (91 mm) H	Wood	5 tray	8 lbs.	\$26.85 ea.
4235-14-5	14" Wood Door Storage Tray w/Screw In Clips	13 3/4" (349 mm) W x 4 1/4" (108 mm) D x 3 5/8" (91 mm) H	Wood	5 tray	12 lbs.	\$28.70 ea.
4235-20-5	20" Wood Door Storage Tray w/Screw In Clips	19 3/4" (502 mm) W x 4 1/4" (108 mm) D x 3 5/8" (91 mm) H	Wood	5 tray	18 lbs.	\$33.35 ea.
Hardware						
6232-26-4528-52	Pair Aluminum Standards & 4 Clips	26" (1473 mm) L	Bright Aluminum	1 pr.	.7 lbs.	\$43.50
6232-58-4528-52	Pair Aluminum Standards & 10 Clips	58" (1473 mm) L	Bright Aluminum	1 pr.	2 lbs.	\$60.90

CONTAINS: Door Storage Trays with Screw-In Clips.

NOTE: Aluminum Standards with adjustable clips are sold separately. Additional tray clips may be ordered - Part No: 6231-41-4101-10

4WB SERIES

RATTAN BASKETS WITH RAILS

The perfect storage solution for fruits and vegetables, these superior quality rattan baskets are now available in three sizes to fit a variety of cabinet applications. The 4WB Series includes one basket, two side mount rails and one plastic liner.



Clear Polymer Liner



PRODUCT #s	DESCRIPTION	PRODUCT DIMENSIONS	FINISH	SET PER CARTON	WEIGHT PER CARTON	SUGGESTED LIST PRICE
Rattan Basket with Rails						Individual Pack
4WB-15I	Base 15 Rattan Basket, Polymer Liners with Rails	11¼" (311 mm)W x 21¼" (540 mm)D x 7¾" (188 mm)H	Rattan	1	6 lbs.	\$96.00
4WB-18I	Base 18 Rattan Basket Polymer Liners with Rails	14¼" (362 mm)W x 21¼" (540 mm)D x 7¾" (188 mm)H	Rattan	1	8 lbs.	\$101.80
Euro Rail Rattan Baskets						Individual Pack
4WB-320I	320 mm Rattan Basket, Polymer Liners with Rails	320 mm (12½")W x 451 mm (17¾")D x 188 mm (7½")H	Rattan	1	6 lbs.	\$93.80
4WB-420I	420 mm Rattan Basket Polymer Liners with Rails	420 mm (16½")W x 451 mm (17¾")D x 188 mm (7½")H	Rattan	1	6 lbs.	\$103.10
4WB-520I	520 mm Rattan Basket, Polymer Liners with Rails	520 mm (20½")W x 451 mm (17¾")D x 188 mm (7½")H	Rattan	1	8 lbs.	\$113.10

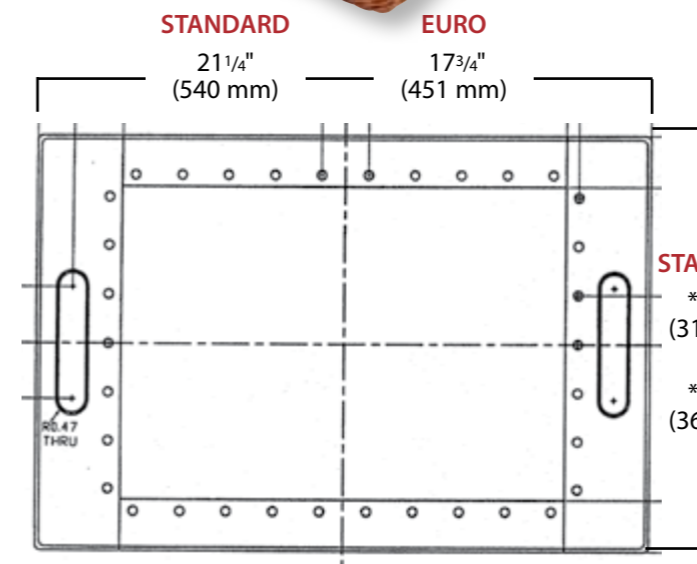
NOTE:

New Euro Basket Rails sizes are 29 mm (1¼")W x 451 mm (17¾")D x 32 mm (1¼")H
Standard Basket Rails sizes are 2" (51 mm)W x 21¼"D (540 mm) x 1¾"W (33 mm)H

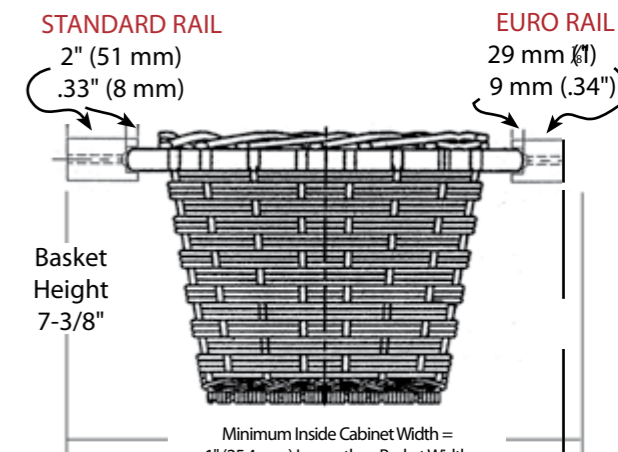
CONTAINS:

(1) Rattan Basket, (1) Clear Polymer Liner and (2) side mount rails.

4WB-320I



EURO SIZES



Minimum Inside Cabinet Width = 1" (25.4 mm) Larger than Basket Width
Maximum Inside Cabinet Width = 3.34" (85 mm) Larger than Basket Width
Euro Maximum Inside Cabinet Width = 1.57" (39.9 mm) Larger than Basket Width

***Width + 3/8" (9.5 mm) = Minimum Cabinet Opening**

4WB SERIES

STATIC RATTAN BASKETS



Increase functionality while enhancing kitchen design with Rev-A-Shelf's Static Rattan Baskets. Attractive and practical, the basket offer endless storage options and feature 100% cotton off-white cloth liners.

PAGE 151

WALL CABINET STATIC BASKETS

PRODUCT #s	DESCRIPTION	PRODUCT DIMENSIONS	FINISH	SET PER CARTON	WEIGHT PER CARTON	SUGGESTED LIST PRICE
Static Rattan Baskets						
4WB-421-4	Static Rattan Basket	4" (102 mm)W x 20¾" (530 mm)D x 4¼" (108 mm)H	Rattan	4	7 lbs.	\$40.30 ea.

NOTE: 4WB-421 Series Sold as a set of (4), Suggested List Price is per basket. These items are hand-woven rattan baskets, allow 1/8" total variance.
CONTAINS: 4WB-421 Series (4) Rattan Baskets and (4) Canvas Liners 4WB1419/4WB1729 Series (1) Rattan Basket and (1) Canvas Liner

432 SERIES

BASE CABINET FILLERS

Create a functional storage space behind those decorative panels with this base filler cabinet. We didn't just create another organizer...we created the whole cabinet that transforms decorative filler into useful storage pullouts. The 432 is available for 3", 6" and 9" base cabinet applications and features adjustable shelves with chrome rails, full-extension ball bearing slides, and our three slide design provides for the most stable function on the market.



432-BF-3C

PRODUCT #s	DESCRIPTION	PRODUCT DIMENSIONS	FINISH	SET PER CARTON	WEIGHT PER CARTON	SUGGESTED LIST PRICE
Base Filler Organizer				Individual Pack		
432-BF-3C	3" Filler Organizer	3" (76 mm)W x 23" (584 mm)D x 30" (762 mm)H	Wood	1	21 lbs.	\$158.35
432-BF-6C	6" Filler Organizer	6" (152 mm)W x 23" (584 mm)D x 30" (762 mm)H	Wood	1	33 lbs.	\$190.55
432-BF-9C	9" Filler Organizer	9" (229 mm)W x 23" (584 mm)D x 30" (762 mm)H	Wood	1	46.7 lbs	\$227.35

CONTAINS:
 (1) completely assembled organizer with full-extension slides and adjustable shelves. 9" - 150# Weight Rated Slides 3", 6" - 100# Weight Rated Slides

432 SERIES

BASE CABINET FILLERS



432-BF-6C



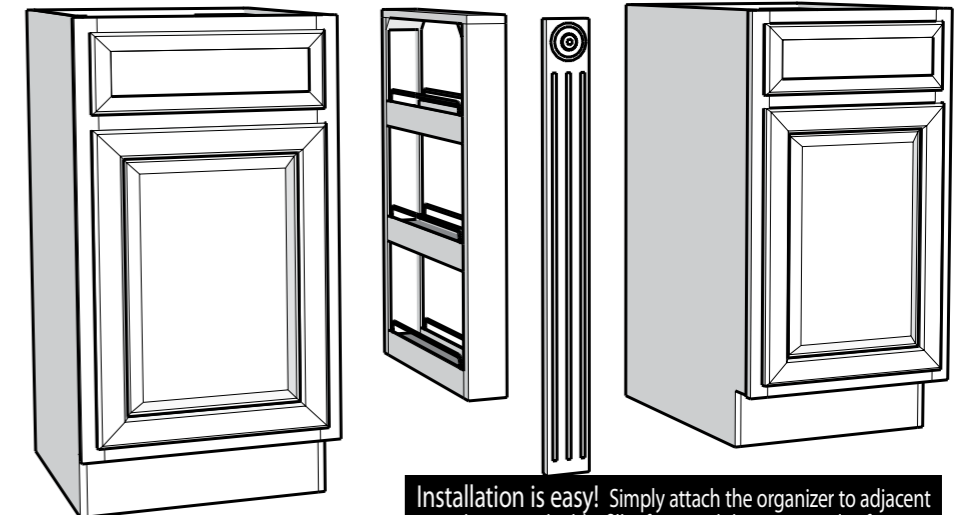
432-BF-6C

PAGE 152

WALL CABINET VERSIONS



432-BF-9C



Installation is easy! Simply attach the organizer to adjacent cabinets and add a filler front and decorative onlay for a completely functional storage pullout.

SINK & BASE ACCESSORIES

REV-A-SHELF Wood Classics

SINK & BASE ACCESSORIES

REV-A-SHELF Wood Classics

432-BFBBSC SERIES

BASE CABINET FILLERS

Transform your decorative filler into useful soft-close storage pullouts. Available for 3" and 6" base cabinet applications they come fully assembled and feature our unique slide design that provides the most stable function on the market, adjustable shelves with chrome rails, full-extension soft-close ball bearing slides and micro-adjustment screw for precise door alignment.



NOW WITH SOFT CLOSE...

JACK SCREW FOR DOOR MICRO-ADJUSTMENTS

432-BFSC SERIES

BASE CABINET FILLERS

We brought you the filler pullout and now offer it to you with soft close. Available for 3" and 6" base cabinet applications they come fully assembled and feature our patent pending staggered slide design for weight distribution and strength, adjustable shelves with chrome rails, a micro-adjustment screw for precise door alignment and full-extension runners with Blumotion soft-close.



NOW WITH SOFT CLOSE...

MIDDLE SHELF IS SOLID FOR EXTRA SUPPORT

JACK SCREW FOR DOOR MICRO-ADJUSTMENTS

FEATURING **blum**
concealed runners with BLUMOTION soft close

AVAILABLE IN FALL 2012!
WALL VERSIONS COMING SOON!

PRODUCT #s	DESCRIPTION	PRODUCT DIMENSIONS	FINISH	SET PER CARTON	WEIGHT PER CARTON	SUGGESTED LIST PRICE
Soft Close Base Filler Organizer						
					Individual Pack	
432-BFBBSC-3C	3" Filler Organizer with Soft-Close	3" (76 mm)W x 23" (584 mm)D x 30" (762 mm)H	Wood	1	21 lbs.	\$202.55
432-BFBBSC-6C	6" Filler Organizer with Soft-Close	6" (152 mm)W x 23" (584 mm)D x 30" (762 mm)H	Wood	1	33 lbs.	\$242.15

CONTAINS:
(1) completely assembled organizer with full-extension slides and adjustable shelves. 100# Weight Rated Slides

PRODUCT #s	DESCRIPTION	PRODUCT DIMENSIONS	FINISH	SET PER CARTON	WEIGHT PER CARTON	SUGGESTED LIST PRICE
Soft Close Base Filler Organizer						
					Individual Pack	
432-BFSC-3C	3" Filler Organizer with Blum Soft-Close	3" (76 mm)W x 23" (584 mm)D x 30" (762 mm)H	Wood	1	21 lbs.	\$244.75
432-BFSC-6C	6" Filler Organizer with Blum Soft-Close	6" (152 mm)W x 23" (584 mm)D x 30" (762 mm)H	Wood	1	33 lbs.	\$286.25

CONTAINS:
(1) completely assembled organizer with full-extension slides and shelves. 3" - 25# Weight Rated Slides, 6" - 63# Weight Rated Slides (BHMA 1)

Now everyone can utilize and personalize the space wasted behind decorative fillers with this ground-breaking storage option.

We didn't just create another organizer... we created the whole cabinet that transforms decorative fillers into storage pullouts.

The fillers feature full-extension ball bearing slides, black accessory hooks, pegs, and magnetic grade stainless steel panel that provide endless storage customization from storing pots and pans, cleaning accessories, various cooking utensils, keys, craft supplies and much, much more.

Our three slide design provides for the most stable function on the market.



Works great with Door Storage Trays (Page 67)



PRODUCT #'s	DESCRIPTION	PRODUCT DIMENSIONS	FINISH	SET PER CARTON	WEIGHT PER CARTON	SUGGESTED LIST PRICE
Base Filler Organizer with Stainless Panel						Individual Pack
434-BF-3SS	3" Filler Organizer	3" (76 mm)W x 23" (584 mm)D x 30" (762 mm)H	Wood	1	25 lbs.	\$287.55
434-BF-6SS	6" Filler Organizer	6" (152 mm)W x 23" (584 mm)D x 30" (762 mm)H	Wood	1	39 lbs.	\$322.65

PRODUCT #'s	DESCRIPTION	FINISH	SET PER CARTON	WEIGHT PER CARTON	SUGGESTED LIST PRICE
Accessories					
434-Multi-5	5-Hole Rack	Rubberized Black	5	2 lbs.	\$5.65 ea.
434-S3-5	3" Single Hook	Rubberized Black	5	1 lb.	\$2.05 ea.
434-D3-5	3" Double Hook	Rubberized Black	5	1 lb.	\$3.05 ea.
434-Peg3-6	3" Peg	Rubberized Black	6	2 lbs.	\$2.60 ea.
434-S6-5	6" Single Hook	Rubberized Black	5	1 lb.	\$2.30 ea.
434-D6-5	6" Double Hook	Rubberized Black	5	1 lb.	\$3.50 ea.
434-Peg6-6	6" Peg	Rubberized Black	6	2 lbs.	\$3.65 ea.
434-MB-KIT	434 Message Board	White	1	3 lbs.	\$29.60 ea.



Magnetic Grade Stainless Steel Panel

CONTAINS:
(1) completely assembled organizer with 100# Weight Rated full-extension slides, adjustable shelves, and a variety of hooks and pegs.

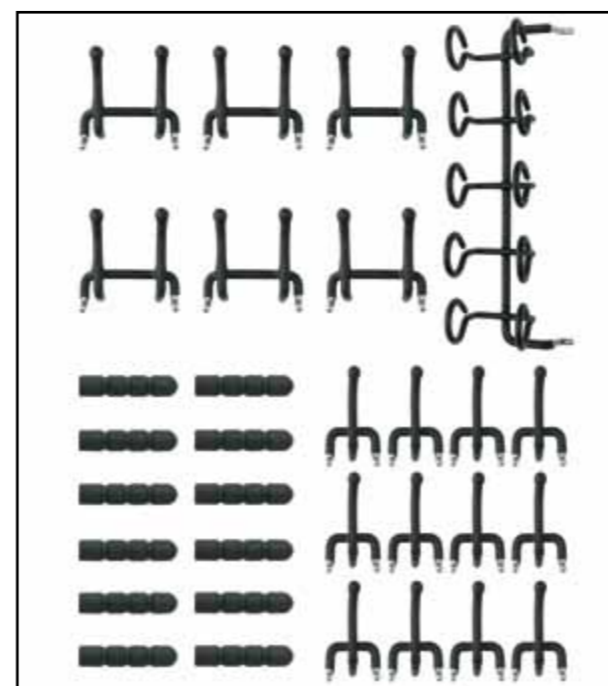


Cleaning Supply Application



Sewing Application

PAGE 153
WALL CABINET VERSIONS



Assorted Hooks and Pegs are included with every filler! Additional accessories may be ordered using the part numbers provided.



434-S3-5

434-S6-5

434-Multi-5

434-D3-5

434-D6-5

434-Peg3-6

434-Peg6-6

Peg Usage

433 SERIES

BASE CABINET FILLERS

Now you can have the best of both worlds with Rev-A-Shelf's innovative 433 Series. The 433 is designed to turn the wasted space behind decorative fillers into functional storage and features full-extension ball bearing slides, adjustable 2 3/4" W shelves with chrome accents and a magnetic grade stainless steel panel that comes with an array of accessory hooks so you can customize your storage needs. We didn't just create another organizer... we created the whole cabinet that transforms decorative fillers into storage pullouts. Additional accessory hooks can be purchased separately (see page 74).

SINK & BASE ACCESSORIES

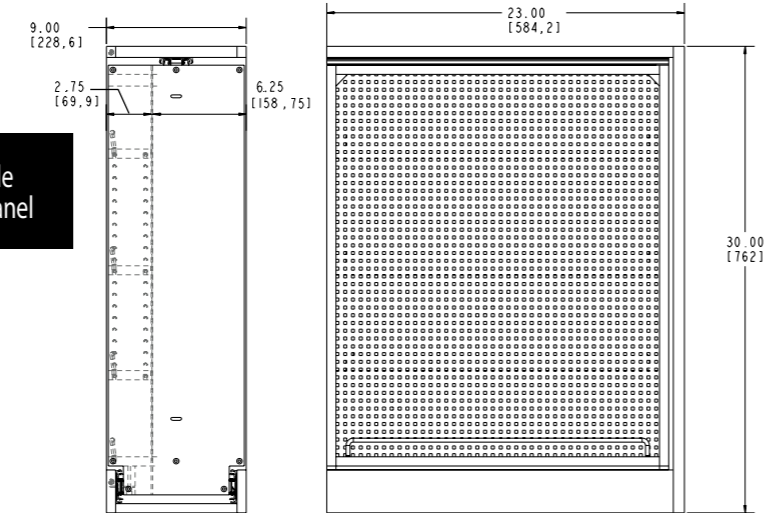
REV-A-SHELF Wood Classics



One side features adjustable shelves
One side features stainless steel panel



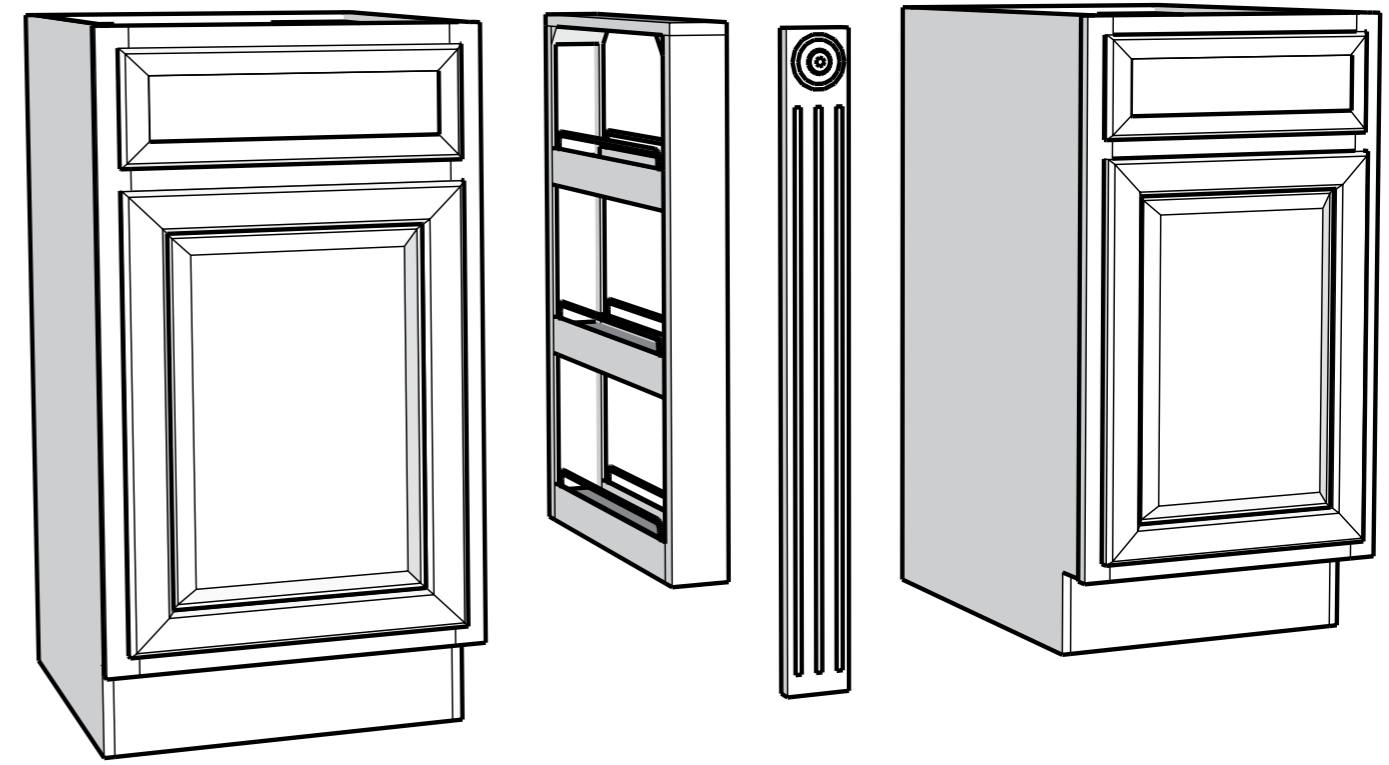
Magnetic Grade Stainless Steel Panel



PRODUCT #s	DESCRIPTION	PRODUCT DIMENSIONS	FINISH	SET PER CARTON	WEIGHT PER CARTON	SUGGESTED LIST PRICE
433-BF-9C	9" Filler Organizer	9" (229 mm)W x 23" (584 mm)D x 30" (762 mm)H	Wood	1	51.3 lbs.	\$389.75

CONTAINS: (1) completely assembled organizer with 150# Weight Rated full-extension slides and adjustable shelves with chrome rails, a stainless steel panel with a variety of accessory hooks and pegs.

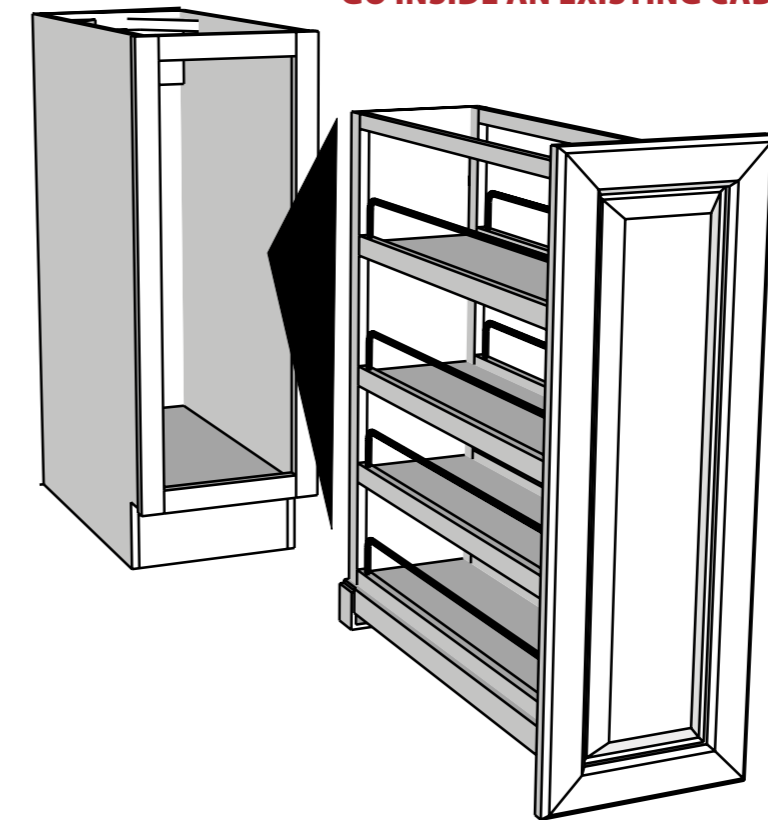
432, 433 AND 434 SERIES FILLER PULLOUTS GO BETWEEN TWO CABINETS, THE SAME WAY FILLER PANELS ARE USED.



SINK & BASE ACCESSORIES

REV-A-SHELF Wood Classics

444, 445, 447 AND 448 SERIES ORGANIZERS GO INSIDE AN EXISTING CABINET.



447 SERIES

TRAY DIVIDER/FOIL WRAP HOLDER

Baking storage has never been more versatile than with the 447 Pullout Organizer. Designed for 9" and 12" base cabinets, these organizers feature two compartments for storing baking sheets and platters and the removable center racks allow you the ability to store larger platters and bake ware if desired. The unit is made from maple and glides on our patented "tri-slides" for stability. Door mounting is a breeze with our patented door mount brackets that provide up to 5 inches of flexibility for trouble free installation on any door style.

SINK & BASE ACCESSORIES

REV-A-SHELF® Wood Classics™



New Adjustable Rub Bushings!

100# weight rated slides!

PRODUCT #s	DESCRIPTION	PRODUCT DIMENSIONS	FINISH	SET PER CARTON	WEIGHT PER CARTON	SUGGESTED LIST PRICE
Foil Wrap Holder						
447-BC-5C	5" Foil Wrap Holder/Tray Divider	See Detailed Specifications on Opposite Page	Wood	1	25 lbs.	\$176.20
447-BC-8C	8" Foil Wrap Holder/Tray Divider	See Detailed Specifications on Opposite Page	Wood	1	32 lbs.	\$233.00

447 SERIES

TRAY DIVIDER/FOIL WRAP HOLDER



Tray Dividers slide in and out of the unit easily and can be adjusted to accommodate many different items.



Patented Adjustable Mounting Brackets ensure that your doors are not damaged.

US PATENT NO: 7,204,569

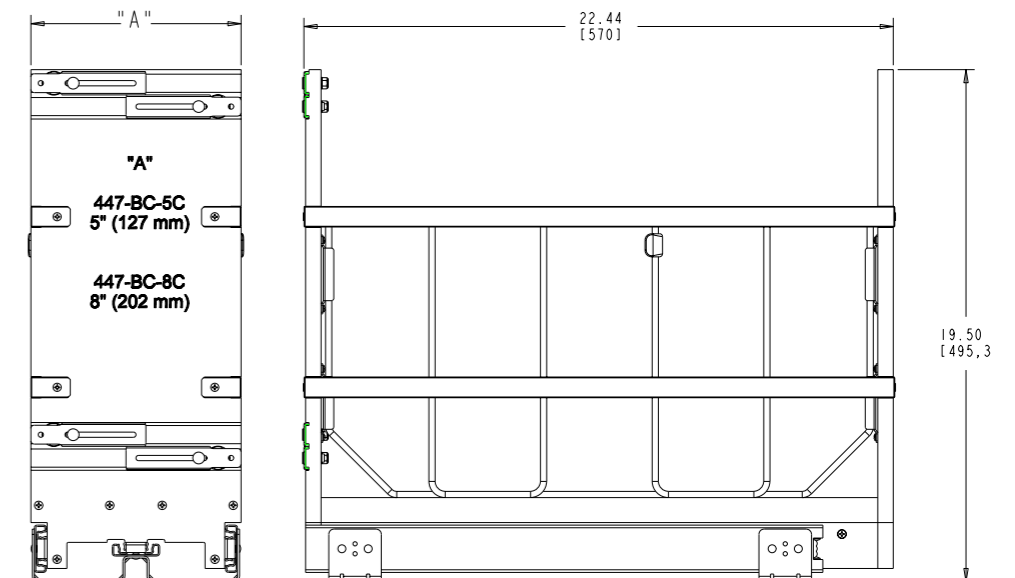


Included T-Bars allow you to customize your storage needs.



SINK & BASE ACCESSORIES

REV-A-SHELF® Wood Classics™



448 SERIES

PULLOUT BASE ORGANIZER

Designed for full-height base cabinets, these beautiful base organizers feature adjustable shelves with chrome rails to help keep everything in its place. Made from maple with a UV clear coat finish to match any kitchen décor. Units glide on our patented "tri-slides" which minimize any side-to-side motion and provide complete stability when pulled out of the cabinet. Door mounting is easy with our patented door mount brackets that provide up to 5 inches of flexibility for trouble-free installation on any door style. Designed for 9", 12", and 15" full height face frame base cabinets, and 9" full height frameless cabinets.



New Adjustable Rub Bushings!



Tri-Slide (US PATENT NO. 7,306,301)

14" Width - 448-BC-14C

PAGE 154

WALL CABINET VERSIONS

PRODUCT #s	DESCRIPTION	PRODUCT DIMENSIONS	FINISH	SET PER CARTON	WEIGHT PER CARTON	SUGGESTED LIST PRICE
Base Organizer				Individual Pack		
448-BC-5C	Base Organizer	See Detailed Specifications on Opposite Page	Wood	1	24.7 lbs.	\$185.00
448-BC19-5C	Base Organizer (19" Depth)	5" (127 mm)W x 19" (483 mm) D x 25½" (647 mm)H	Wood	1	22 lbs.	\$208.10
448-BC-6C	Frameless Organizer	See Detailed Specifications on Opposite Page	Wood	1	26 lbs.	\$188.20
448-BC-8C	Base Organizer	See Detailed Specifications on Opposite Page	Wood	1	32 lbs.	\$212.45
448-SR8-1	Spice Rack for Above	7" (178 mm)W x 21" (534 mm)D x 4¾" (124 mm)H	Wood	1	5 lbs.	\$42.90
448-BC19-8C	Base Organizer (19" Depth)	8" (203 mm)W x 19" (483 mm) D x 25½" (647 mm)H	Wood	1	30 lbs.	\$292.75
448-BC-11C	Base Organizer	See Detailed Specifications on Opposite Page	Wood	1	41 lbs.	\$297.10
448-SR11-1	Spice Rack for Above	10" (254 mm)W x 21" (534 mm)D x 4¾" (124 mm)H	Wood	1	7 lbs.	\$54.80
448-BC-14C	Base Organizer	See Detailed Specifications on Opposite Page	Wood	1	42 lbs.	\$352.20

CONTAINS: (1) Pullout Shelving System, 3 Adjustable Shelves with Chrome Rails, Full-Extension Tri-Slides, Rub Bushings. 11", 14" - 150# Weight-Rated Slides 5", 6", 8" - 100# Weight Rated Slides **NOTE:** Full height door base cabinet required. US PATENT NO: 7,204,569; 7,306,301

448 SERIES

PULLOUT BASE ORGANIZER



Keep spices within reach with the 448 Spice Rack insert. Available in two sizes for use in the 8" and 11" 448 Series Pullout Base Organizers, this spice insert features a unique angled design for easy spice access, an easy drop in installation, and a maple UV clear coat finish to match your pullout and any kitchen décor. Don't forget to think outside of the cabinet; this insert is perfect for other applications in Craft, Sewing and Laundry Rooms as well.



Adjustable Shelves!

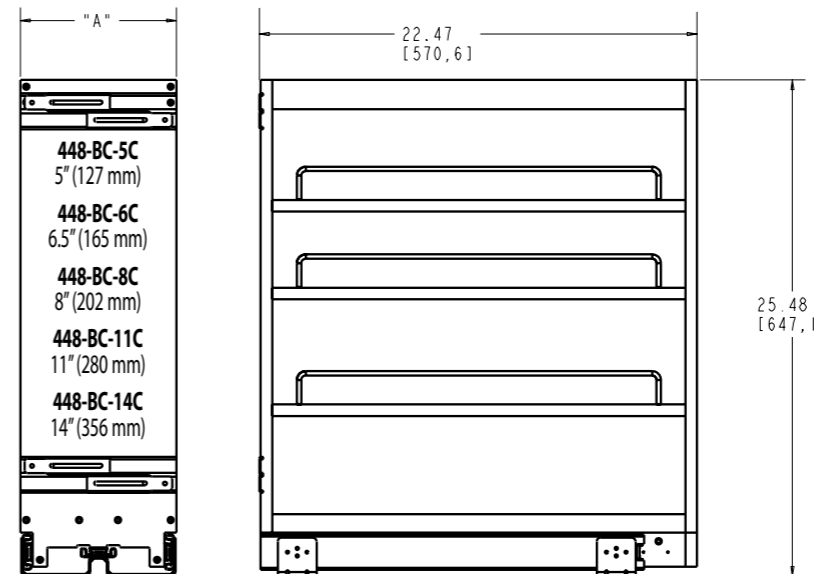


Micro-Adjustment Screw for precise door alignment.



Adjustable Door Mount Brackets

US PATENT NO. 7,204,569



- 448-BC-5C
5" (127 mm)
- 448-BC-6C
6.5" (165 mm)
- 448-BC-8C
8" (202 mm)
- 448-BC-11C
11" (280 mm)
- 448-BC-14C
14" (356 mm)



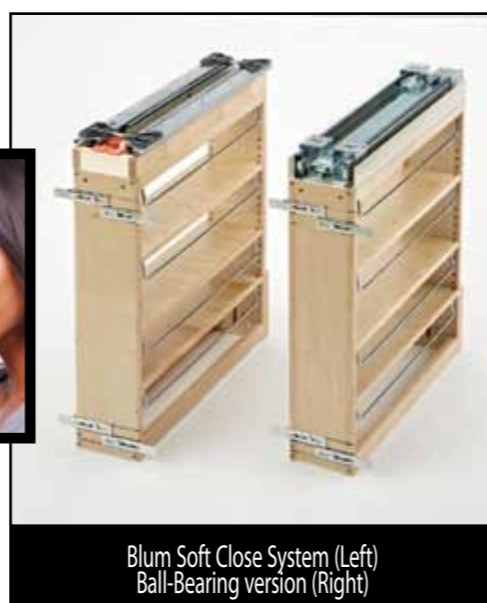
11" Width - 448-BC-11C

448-BCBBSC SERIES SOFT-CLOSE BASE CABINET ORGANIZERS

Loud slamming cabinets are a thing of the past with our innovative soft close base organizers. Designed for full-height base cabinets, they glide effortlessly on our patented soft close "tri-slides" which minimize any side-to-side motion and provide complete stability when pulled out of the cabinet. Additional features include concealed slides for the utmost in cleanliness, adjustable shelves with chrome rails, micro-adjustment screw for precise door alignment, adjustable rear wall that prevents items falling behind the pullout, adjustable rub bushings and easy door mounting with our patented door mount brackets that provide up to 5 inches of flexibility for trouble-free installation on any door style. Designed for 9" and 12" full height face frame base cabinets.

SINK & BASE ACCESSORIES

REV-A-SHELF Wood Classics



NEW ADJUSTABLE RUB BUSHINGS!

Prevent side to side movement and frame rubbing with our innovative ARB Series Adjustable Rub Bushings. The easy nail-in and threaded designs allow you to adjust the bushing to fit your desired space and the felt covering protects your pullout from wear. Available with 448TP'S and 448 soft-close only.

PRODUCT #s	DESCRIPTION	PRODUCT DIMENSIONS	FINISH	SET PER CARTON	WEIGHT PER CARTON	SUGGESTED LIST PRICE
Soft-Close Base Organizer						
Individual Pack						
448-BCBBSC-5C	Base Organizer with Soft-Close	5" (127 mm)W x 21 3/4" (553 mm)D x 25 1/2"-29 1/2" (648-750 mm)H	Wood	1		\$230.25
448-BCBBSC-8C	Base Organizer with Soft Close	8" (203 mm)W x 21 3/4" (553 mm)D x 25 1/2"-29 1/2" (648-750 mm)H	Wood	1		\$245.65

448-BCSC SERIES SOFT-CLOSE BASE CABINET ORGANIZERS

Stop the noise, stop the madness from slamming cabinets with our innovative soft-close base organizers. Designed for full-height base cabinets, they glide effortlessly on Blumotion soft-close slides and feature concealed slides for the utmost in cleanliness, adjustable shelves with chrome rails, micro-adjustment screw for precise door alignment, adjustable rear wall that prevents items falling behind the pullout, adjustable rub bushings and easy door mounting with our patented door mount brackets that provide up to 5 inches of flexibility for trouble-free installation on any door style. Designed for 9" and 12" full height face frame base cabinets. Also available with Servo Drive.

AVAILABLE IN FALL 2012!

NEW ADJUSTABLE RUB BUSHINGS!

Prevent side to side movement and frame rubbing with our innovative ARB Series Adjustable Rub Bushings. The easy nail-in and threaded designs allow you to adjust the bushing to fit your desired space and the felt covering protects your pullout from wear. Available with 448TP'S and 448 soft-close only.



For 1-1/2" Face Frames



For 1-5/8" Face Frames

For 1-3/4" Face Frames



REV-A-SHELF 110V



PRODUCT #s	DESCRIPTION	PRODUCT DIMENSIONS	FINISH	SET PER CARTON	WEIGHT PER CARTON	SUGGESTED LIST PRICE
Soft-Close Base Organizer						
Individual Pack						
448-BCSC-5C	Base Organizer w/Blum Soft-Close	5" (127 mm)W x 21 3/4" (553 mm)D x 25 1/2"-29 1/2" (648-750 mm)H	Wood	1	24 lbs.	\$276.40
448-BCSC-8C	Base Organizer w/Blum Soft Close	8" (203 mm)W x 21 3/4" (553 mm)D x 25 1/2"-29 1/2" (648-750 mm)H	Wood	1	31 lbs.	\$294.80
448-BCSCSD-5C	Base Organizer w/Blum Soft-Close & Servo Drive	5" (127 mm)W x 21 3/4" (553 mm)D x 25 1/2"-29 1/2" (648-750 mm)H	Wood	1	28 lbs.	\$787.80
448-BCSCSD-8C	Base Organizer w/Blum Soft Close & Servo Drive	8" (203 mm)W x 21 3/4" (553 mm)D x 25 1/2"-29 1/2" (648-750 mm)H	Wood	1	35 lbs.	\$822.60

SINK & BASE ACCESSORIES

REV-A-SHELF Wood Classics

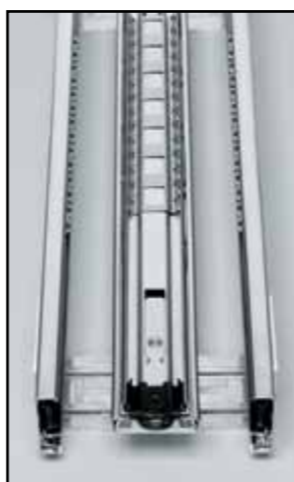
444 SERIES

PULLOUT BASE ORGANIZER

The Wood Classic Pullout Organizer, designed for full-height Base 12" cabinets, this beautiful wood pullout with chrome accents features a magnetic grade stainless steel panel and an array of accessory hooks for ideal customization for your storage needs. The 444 also features patented door mount brackets that allow up to 5 inches of flexibility for trouble-free installation on any door style and our patent pending "tri-slides" that minimizes any side-to-side motion and provide complete stability when pulled out of the cabinet. Additional accessory hooks can be purchased separately (see page 74).



REVERSIBLE



Tri-Slide (US PATENT NO: 7,306,301)



Adjustable Door Mount Brackets
US PATENT NO: 7,204,569

Magnetic Grade
Stainless Steel Panel

Includes
Rub
Bushings
for 1½", 1¾",
and 1⅝"
Face Frames

PRODUCT #s	DESCRIPTION	PRODUCT DIMENSIONS	FINISH	SET PER CARTON	WEIGHT PER CARTON	SUGGESTED LIST PRICE
444-BC-855	Base Organizer w/Stainless Steel Panel	8" (202 mm)W x 22½" (569 mm)D x 25½" (647 mm)H	Wood/ Stainless	1	34.9 lbs.	\$341.60

CONTAINS:
(1) Pullout Shelving System, Chrome Rail, 100# Weight-Rated, Full-Extension Tri-Slides, Rub Bushings, and a variety of accessory pegs and hooks.
NOTE: Full height door base cabinet required. US PATENT NO: 7,204,569

PAGE
155

**WALL CABINET
VERSIONS**

4WP SERIES

BASE WOOD SWING-OUT PANTRY

The 4WP Series Swing-Out Wood Pantry System is designed for 36" full height base cabinets (also available for 36" Pantry cabinets, see page 102) the series features amenities the competitors just don't offer from an industrial piano hinge, adjustable inside door and pantry shelves with chrome rails, to the customization flexibility of being able to add or remove stylish chrome bars to the top of the units for additional shelf space on both doors and swing-out pantry. The solid construction consists of ½" maple that has a UV-cured, clear finish to ensure a beautiful match to any cabinet. The complete kit includes two swing-out units and two door storage units with patented door mount brackets.



Chrome Top Rails can be installed to store items!

See page 109 for a detailed line drawing of swing radius and dimensions.



Adjustable
Door Mount Brackets

US PATENT NO: 7,204,569

**MINIMUM
CABINET HEIGHT
4WBP18-25-KIT
25¾" (654 mm)
without top rails
28¾" (730 mm)
with top rails**



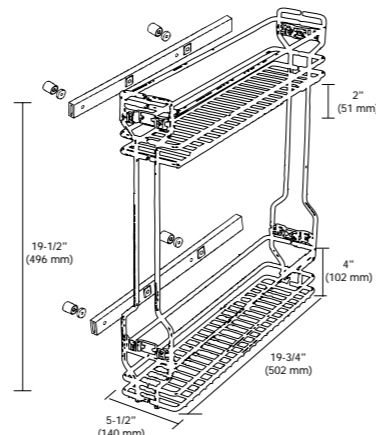
PRODUCT #s	DESCRIPTION	PRODUCT DIMENSIONS	FINISH	SET PER CARTON	WEIGHT PER CARTON	SUGGESTED LIST PRICE
4WBP18-25	25" Swing Out Pantry (w/Hardware) Single	12" (305 mm)W x 7½" (191 mm)D x 25" (635 mm)H	Wood	1	17 lbs.	\$115.25
4WBDP18-25	25" Pantry Door Unit (w/Hardware) Single	12" (305 mm)W x 4" (102 mm)D x 25" (1296 mm)H	Wood	1	11 lbs.	\$103.80
4WBP18-25-KIT	25" Swing Out Pantry Kit - Includes (2) 4WBP18-25 and (2) 4WBDP18-25		Wood	1	58.8 lbs.	\$419.50

548 SERIES

TWO-TIER BASE ORGANIZER



Keep 2 liter bottles stored in this easy-to-reach base pullout. The 548-06 Base Organizer is designed for Base 9" cabinets and features universal brackets for right or left hand mounting, ball-bearing slides and a door mountable chrome frame. Also available in white (see page 45).



PRODUCT #s	DESCRIPTION	PRODUCT DIMENSIONS	FINISH	SET PER CARTON	WEIGHT PER CARTON	SUGGESTED LIST PRICE
Base Organizer				Individual Pack		
548-06CR	Two-Tier Base Organizer	5½" (140 mm)W x 19¾" (482 mm)D x 19½" (498 mm)H	Chrome	1	8.7 lbs.	\$137.60

5432 SERIES

TWO-TIER BASE ORGANIZER



Turn that small space found in a Base 9 cabinet into a useful storage area with this modern two shelf pullout. With aluminum shelves and chrome rails, this sleek organizer features a bottom bracket and an adjustable side mount bracket to provide unparalleled stability. The 5432-05CR has a door mountable frame and comes with full-extension soft-close slides.



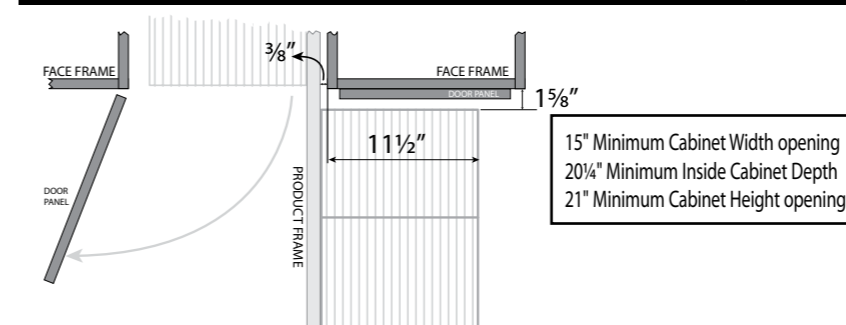
PRODUCT #s	DESCRIPTION	PRODUCT DIMENSIONS	FINISH	SET PER CARTON	WEIGHT PER CARTON	SUGGESTED LIST PRICE
Two-Tier Shelf				Individual Pack		
5432-05CR	Two-Tier Base Organizer	5¾" (146 mm)W x 22¾" (578 mm)D x 23½" (588 mm)H	Chrome/Aluminum	1	14.15 lbs.	\$276.35

NOTES: Designed for framed or frameless cabinet, minimum opening 6" (153 mm)W. Side mount spacer adjusts from 7/8" to 1¼" (22-32 mm)
CONTAINS: Organizer, cabinet member slides, side mount spacers, feet for bottom mounting. Door mount brackets.

5PSP CR SERIES

CHROME BLIND CORNER OPTIMIZER

This Non-Handed 5PSP Series maximizes space in blind corner cabinets while allowing the user full accessibility to the entire unit. The unit is easy to assemble and now installs for either left or right-handed applications. This chrome blind corner optimizer fits most 45" blind corner cabinets and features chrome accents, ball bearing slides, and heavy-duty materials making it functional, reliable and stylish. Bring organization to your fingertips, with the 5PSP Series and see how Rev-A-Shelf is changing the way you think about cabinet organization.



PRODUCT #s	DESCRIPTION	PRODUCT DIMENSIONS	FINISH	SET PER CARTON	WEIGHT PER CARTON	SUGGESTED LIST PRICE
Blind Corner Optimizer - Non-Handed				Individual Pack		
5PSP-15-CR	Blind Corner Optimizer - Non-Handed	26¼" (667 mm)W x 20¼" (514 mm)D x 21" (533 mm)H	Chrome	1	61 lbs.	\$551.15

CONTAINS: 5PSP-15-CR frame with (4) chrome baskets, 100# rated full extension, ball bearing slides, and hardware.
NOTES: Easy installation to the cabinet floor. Basket dimensions: 11¾" W x 16½" D x 3½" H. Recommend not to exceed 15 lbs. per basket.

5207 SERIES

PREMIERE BLIND CORNER KIT

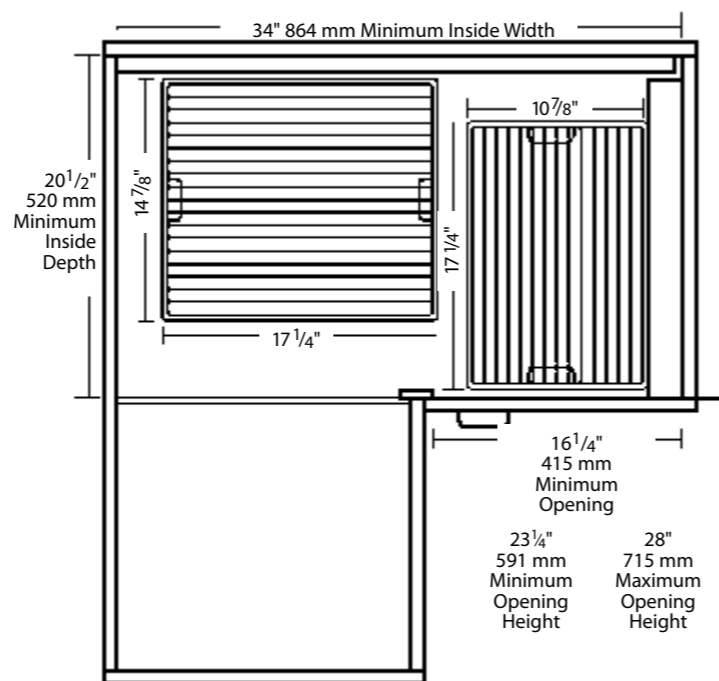
Maximize space in blind corner cabinets with the Premiere Blind Corner System. The 5207 Series has two large and two small chrome plated baskets with a first rate soft-close slide and pivot system that provides easy access to the hard to reach areas hidden in the back of the cabinet. It features universal door mounting hardware for left or right hand applications, better packaging with fewer parts and easy to follow installation instructions.



FEATURES SOFT-CLOSE!



Steel frame surrounds Chrome wire baskets.



PRODUCT #s	DESCRIPTION	PRODUCT DIMENSIONS	FINISH	SET PER CARTON	WEIGHT PER CARTON	SUGGESTED LIST PRICE
Blind Corner Organizer			Individual Pack			
5207-CR	Pivot-Out Blind Corner Kit	See detailed specifications above in illustration	Chrome	1	57 lbs.	\$1,168.40

CONTAINS: Slide and pivot hardware and fasteners, (2) large chrome baskets, (2) small chrome baskets.
NOTE: Hardware is door mount designed and can be adapted to left or right hand door application. 34" (864 mm) minimum inside width, 20 1/2" (521 mm) minimum inside depth, 16 1/4" width (413 mm) by 23 1/4" height (591 mm) minimum door opening. 100# Weight Capacity including door. Recommend not to exceed 20 lbs. per shelf.

599 SERIES

GLASS BLIND CORNER

Optimize your storage with this luxurious blind corner organizer. As you pull open the cabinet door the front baskets slide & rotate out of the cabinet while the rear baskets move into sight from the depths of the blind corner. Each rear basket can then be independently pulled open allowing full access to those hard to find items.

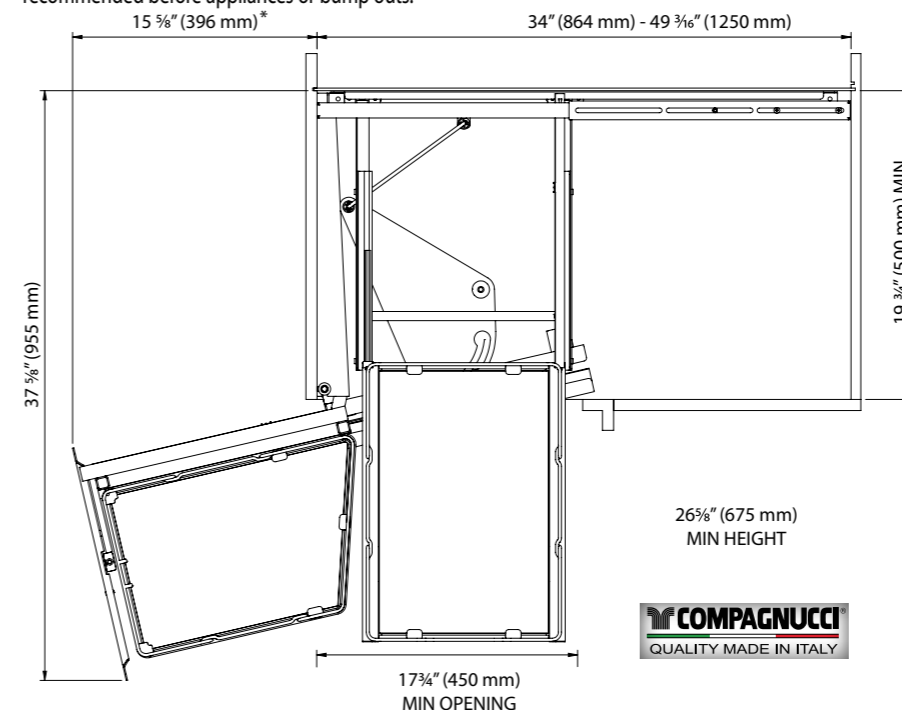
The chrome plated oval wire is finished with a soft champagne "Flute" finish and the shelves feature safety glass with Stylinox™, an Anti-Skid transparent coating that not only prevents skidding, but protects the glass and softens the surface, resulting in a reduction in cracks on items stored within.

Available for left or right hand blind corners, and gliding on soft-close slides, it's the perfect addition to your full height blind corner cabinet.



599-18-RGS - 2-Tier Right Door Mount for Blind Left Corner Cabinet

* recommended before appliances or bump outs.



PRODUCT #s	DESCRIPTION	PRODUCT DIMENSIONS	FINISH	SET PER CARTON	WEIGHT PER CARTON	SUGGESTED LIST PRICE
Blind Corner Organizer			Individual Pack			
599-18-LGS	2-Tier Left Door Mount for Blind Right Corner Cabinet	See Drawing	Glass/Flute	1	68 lbs.	\$1,446.40
599-18-RGS	2-Tier Right Door Mount for Blind Left Corner Cabinet	See Drawing	Glass/Flute	1	68 lbs.	\$1,446.40

NOTE: 100# Weight Capacity including door. Recommend not to exceed 20 lbs. per shelf.



Versatile door mount brackets included!



582-18-RGS - 2-Tier Right Door Mount "Curve" for Blind Left Corner Cabinet

"The Curve" takes luxury blind corner storage to the next level by incorporating the beauty of chrome oval wire with the sophistication of glass...

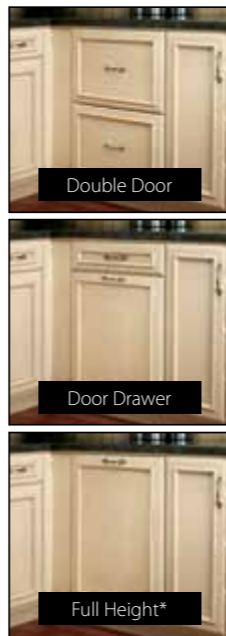
The individual door mountable shelves provide a custom 2-Drawer look for your blind corner, and allow for complete access to your cabinet, utilizing an amazing 775 sq. inches of surface area. All while gliding on our innovative roller coaster design; heavy-duty soft-closing slides (recommended not to exceed 60 lbs. per shelf).

The shelves feature safety glass with Stylinox™, an Anti-Skid transparent coating that not only prevents skidding, but protects the glass and softens the surface, resulting in a reduction in cracks on items stored within.

Available for left and right hand blind corners, "the curve" has fully adjustable mounting brackets that allow it to work in full height, drawer/door, or custom 2-drawer applications with a minimum inside width ranging from 35-11/16" to 43-13/16" and a 17-1/2" width door opening (19" for frameless cabinets).



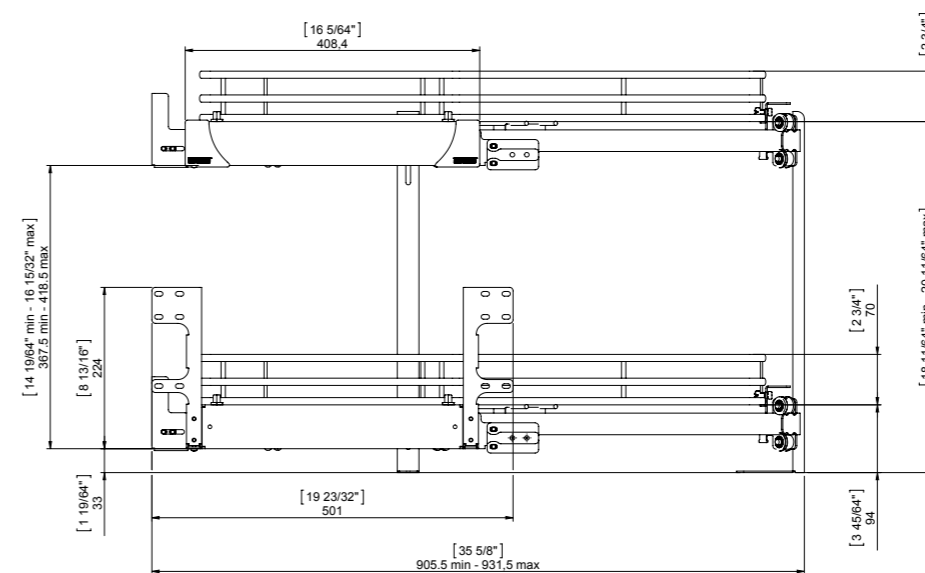
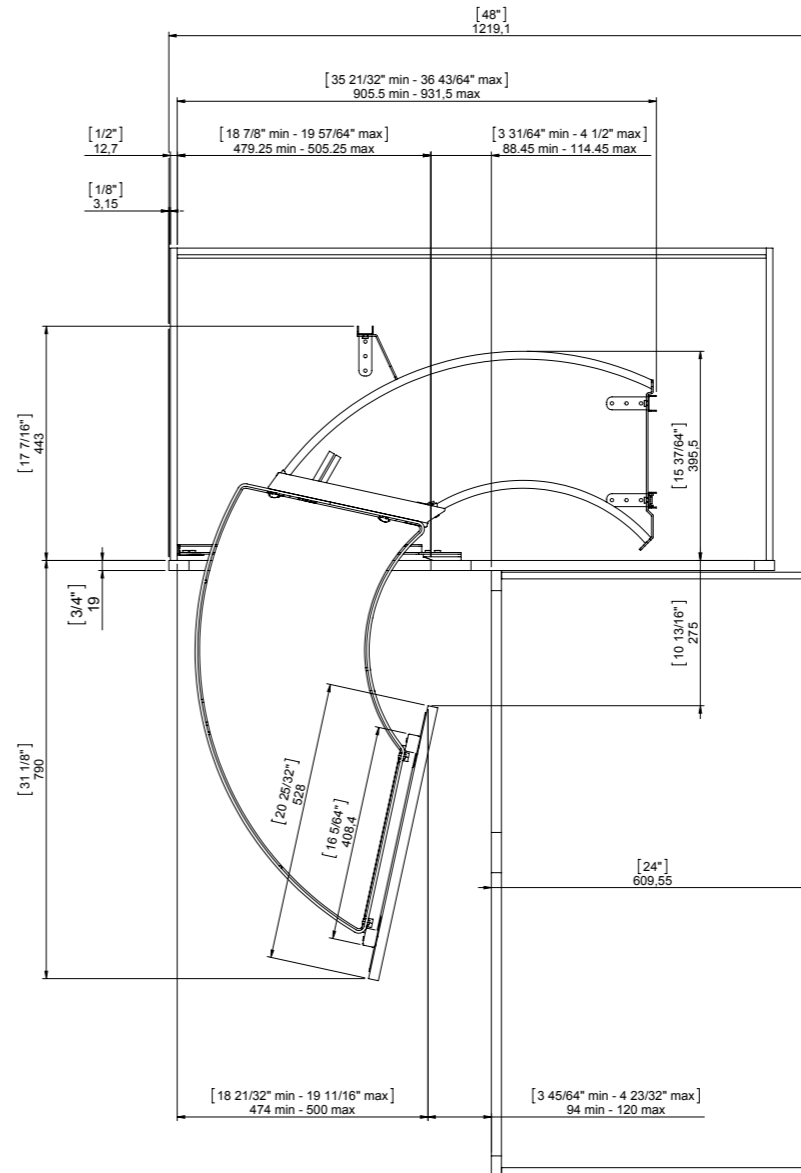
582-18-RGS - 2-Tier Right Door Mount "Curve" for Blind Left Corner Cabinet



*we recommended mounting both tiers to door on full height door mount applications.

PRODUCT #s	DESCRIPTION	PRODUCT DIMENSIONS	FINISH	SET PER CARTON	WEIGHT PER CARTON	SUGGESTED LIST PRICE
582-18-RGS	2-Tier Right Door Mount "Curve" for Blind Left Corner Cabinet	See Chart	Glass/Flute	1	62 lbs.	\$1,012.55
582-18-LGS	2-Tier Left Door Mount "Curve" for Blind Right Corner Cabinet	See Chart	Glass/Flute	1	62 lbs.	\$1,012.55

Individual Pack



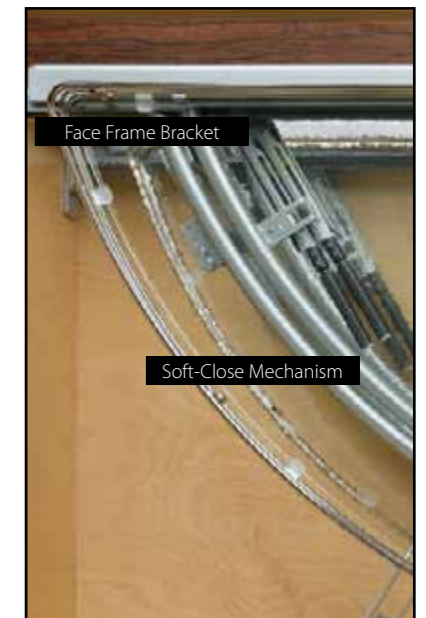
17-1/2" Face Frame Recommended Opening
19" Frameless Recommended Opening



Adjustable Side Bracket



Door Mount Bracket



Face Frame Bracket

Soft-Close Mechanism

5200 CR SERIES

CHROME PULLOUT PANTRY

Enhance functionality and preserve a stylish image with the Chrome Pullout Pantry. The 5200 CR Series is available in a plentiful selection of sizes and is designed on the 250 lbs. rated slide system for a quiet glide out function. This Premiere accessory features micro-adjustment door mounting brackets and top and bottom slide covers for a finished look. The chrome pullout pantries are kit packaged with frame, baskets and door mounting brackets in one carton.



5200 Series Chrome "Shorty" Pullout Pantry

Another Rev-A-Shelf Innovation ... Double Soft-Close Slides!

Even with the most heavy loads our pantries will shut softly with our Heavy-Duty Soft-Close slide system, developed and manufactured exclusively for Rev-A-Shelf by:



Lower Soft-Close Slide



Upper Soft-Close Slide

5200 GS SERIES

PULL-OUT GLASS PANTRY

Give your kitchen functional storage and a luxurious look with our new Glass Pullout Pantry. Available in 3 heights & 2 widths; each feature adjustable safety glass shelves with Stylinox™, an Anti-Skid transparent coating that not only prevents skidding, but protects the glass and softens the surface. The glass is surrounded by chrome plated oval wire, finished with a soft-champagne "Flute" finish that showcases an ultra high-end style.

The pantry has a 250 lb. rated soft-closing slide, is door mountable and comes kit packaged: Constructed of the highest quality materials in a facility designed with the environment in mind the 5200 Glass pantries are the ideal pantry choice for any kitchen.



PAGE 115
FOR TALL CABINET SIZES
& DETAILED SPECS!



PAGE 115
PULLOUT PANTRY
DETAILED SPECIFICATIONS!

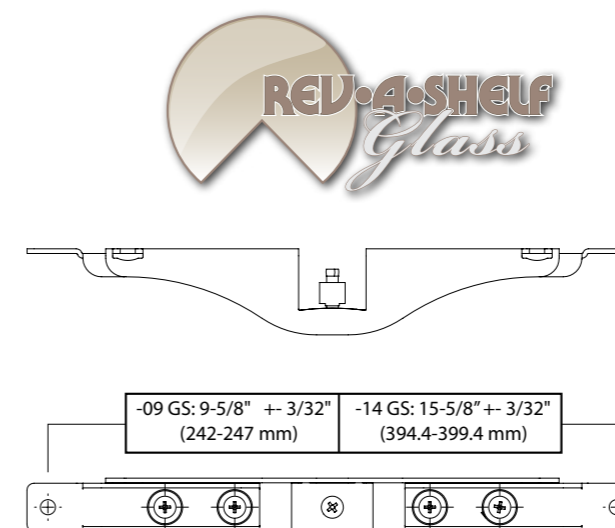
NEW!

improved door mount design,
with additional adjustment options
and easier installation.



PRODUCT #s	Description	Basket Width	Frame Height	Overall Depth	FINISH	SET PER CARTON	WEIGHT PER CARTON	SUGGESTED LIST PRICE
Base Cabinet "SHORTY" Pullout Pantry						Individual Pack		
5225-09 CR	3 Baskets/2 Door Mount Brackets	8 ⁷ / ₈ " (226 mm)	26 ³ / ₈ "-35" (670-890 mm)	20" (508 mm)	Chrome	1	36 lbs.	\$910.15
5225-14 CR	3 Baskets/2 Door Mount Brackets	14 ³ / ₄ " (375 mm)	26 ³ / ₈ "-35" (670-890 mm)	20" (508 mm)	Chrome	1	40 lbs.	\$936.10
5225-16 CR	3 Baskets/2 Door Mount Brackets	16 ³ / ₄ " (426 mm)	26 ³ / ₈ "-35" (670-890 mm)	20" (508 mm)	Chrome	1	42 lbs.	\$975.85
5225-20 CR	3 Baskets/2 Door Mount Brackets	20 ³ / ₈ " (524 mm)	26 ³ / ₈ "-35" (670-890 mm)	20" (508 mm)	Chrome	1	44 lbs.	\$1,008.50

NOTE: All pantry kits are packaged with frame, baskets, and door mounting brackets in one carton. 250# rated Full-Extension slides. (See above for more information.) Baskets are adjustable, first basket mounts on top of the slide, 6" (152 mm) from floor, holes then available every 4" (102 mm) above that.



PRODUCT #s	Description	Basket Width	Frame Height	Overall Depth	FINISH	SET PER CARTON	WEIGHT PER CARTON	SUGGESTED LIST PRICE
Glass "SHORTY" Pull-Out Pantry						Individual Pack		
5225-09-GS	3 Baskets/2 Door Mount Brackets	8 ⁷ / ₈ " (226 mm)	26 ³ / ₈ "-35" (670-890 mm)	20" (508 mm)	Glass/Flute	1	49 lbs.	\$991.50
5225-14-GS	3 Baskets/2 Door Mount Brackets	14 ³ / ₄ " (375 mm)	26 ³ / ₈ "-35" (670-890 mm)	20" (508 mm)	Glass/Flute	1	56 lbs.	\$1,069.80

NOTE: All pantry kits are packaged with frame, baskets, and door mounting brackets in one carton. 250# rated Full-Extension slides. (See above for more information.) Baskets are adjustable, first basket mounts on top of the slide, 6" (152 mm) from floor, holes then available every 4" (102 mm) above that.

5486 SERIES

PREMIERE UNDERSINK PULLOUT



The 5486 Series Undersink Pullout offers a unique U-shaped design created specifically to fit around obtrusive plumbing under the kitchen sink. This chrome wire pullout features soft-close full-extension slides and bottom mount brackets.



Soft Close Slides!



PRODUCT #s	DESCRIPTION	PRODUCT DIMENSIONS	FINISH	SET PER CARTON	WEIGHT PER CARTON	SUGGESTED LIST PRICE
Under Sink Pullout						
5486-34CR	Undersink Pullout	33" (838 mm)W x 18¼" (464 mm)D x 5½" (140 mm)H	Chrome	1	11.3 lbs.	\$295.95

NOTES: Cut-Out dimensions are 20½" (521 mm)W x 11" (280 mm)D
CONTAINS: Undersink Pullout, 75# Weight Rated, aluminum full-extension soft-close slides.

5330 SERIES

PREMIERE CHROME PULLOUT SHELVES

The essential cabinet organizer, Rev-A-Shelf's chrome pullout shelves combine convenience, organization and class into one trouble-free accessory. The 5330 Series is available in four sizes and features soft close, full-extension, ball bearing, Quadro slides with side and bottom mount brackets and adjustable door mount brackets.



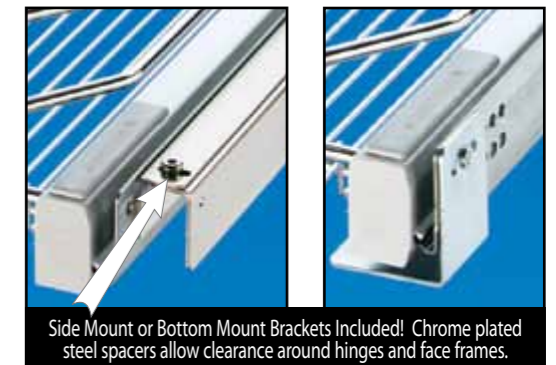
5330-33CR Drawer Front Mounted Shown with 5-DIV Chrome Dividers



5330-15CR Bottom Mounted Under Sink



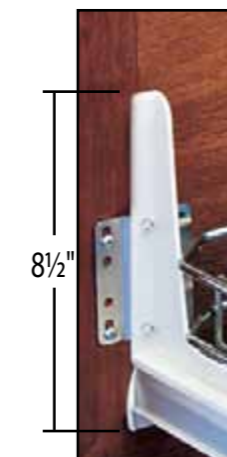
Soft-close full-extension ball bearing slides.



Side Mount or Bottom Mount Brackets Included! Chrome plated steel spacers allow clearance around hinges and face frames.



Door Mount Brackets Included



8½"

Hardware Upgrade

The 5330 Series includes adjustable extender brackets that attach to the existing door mount bracket eliminating the need for sub-door panels. Aligns screws with the thick portion of the drawer front.

PRODUCT #s	DESCRIPTION	PRODUCT DIMENSIONS	FINISH	SET PER CARTON	WEIGHT PER CARTON	SUGGESTED LIST PRICE
Pullout Basket						
5330-12CR	Bottom/Side/Door Mount Pullout Basket	11½" (283 mm)W x 22" (559 mm)D x 4¾" (121 mm)H	Chrome	1	10 lbs.	\$254.35
5330-15CR	Bottom/Side/Door Mount Pullout Basket	14½" (359 mm)W x 22" (559 mm)D x 4¾" (121 mm)H	Chrome	1	13.9 lbs.	\$276.65
5330-21CR	Bottom/Side/Door Mount Pullout Basket	20½" (511 mm)W x 22" (559 mm)D x 4¾" (121 mm)H	Chrome	1	17 lbs.	\$313.65
5330-33CR	Bottom/Side/Door Mount Pullout Basket	32½" (816 mm)W x 22" (559 mm)D x 4¾" (121 mm)H	Chrome	1	20 lbs.	\$365.10
Individual Pack						

NOTE: See specifications on page 91 for critical dimensions.
 Add chrome dividers to your pullout baskets with 5-DIV Series (ordered separately). 75# Weight Rated Soft-Close Ball-Bearing Slides
CONTAINS: Basket, cabinet member slides, side mount spacers, feet for bottom mounting. Door mount brackets.

5389 SERIES

COOKWARE ORGANIZER

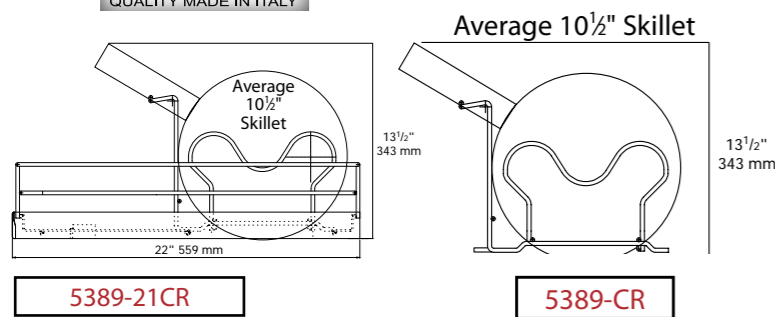
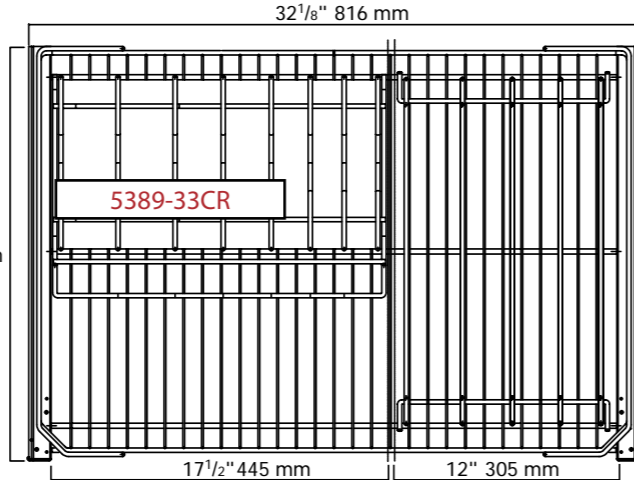
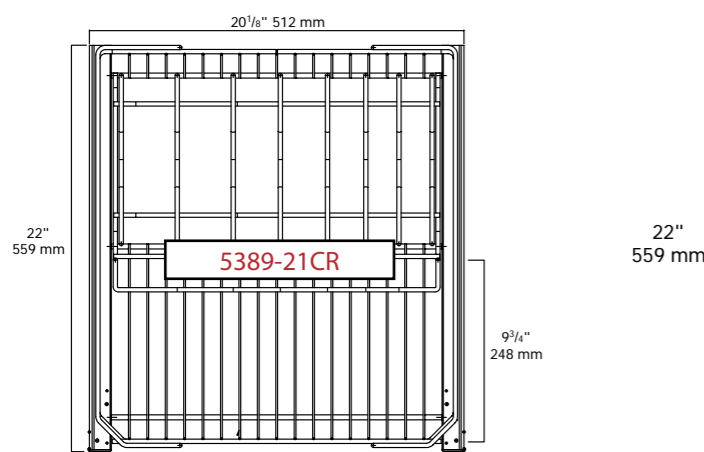
Find pots, pans and lids in seconds with Rev-A-Shelf's Cookware Organizer. This beautiful Italian design is built from heavy-duty chrome wire and finished in Crominox™, a transparent epoxy that provides a protective covering and reduces the noise associated with wire baskets. The 5389 Series is available in two sizes and features bottom and side mount brackets, full-extension, soft-close Quadro slides and door mount brackets. **SEE PAGE #97 FOR INSTALLATION SPECIFICATIONS.**



5389-21CR For Base 24 Frame or Frameless Drawer Front Mounted



5389-33CR For Base 36 Frame or Frameless Side Mounted (Shown with 5330-33CR - not included)



Convert disorderly drawers into fully functional storage pullouts with this Drop-in Cookware Organizer. The 5389-CR offers a flexible design to fit base 24 drawer sizes and larger with easy installation requiring just four screws. Crominox™ Coated.



PRODUCT #s	DESCRIPTION	PRODUCT DIMENSIONS	FINISH	SET PER CARTON	WEIGHT PER CARTON	SUGGESTED LIST PRICE
Cookware Organizer Individual Pack						
5389-CR	Cookware Organizer Drop-In	17 1/2" (445 mm)W x 12" (305 mm)D x 8 3/4" (222 mm)H	Chrome/Crominox™	1	6 lbs.	\$124.00
5389-21CR	Pullout Cookware Organizer	20 1/8" (512 mm)W x 22" (559 mm)D x 9 1/2" (232 mm)H	Chrome/Crominox™	1	19 lbs.	\$367.13
5389-33CR	Pullout Cookware Organizer	32 1/8" (816 mm)W x 22" (559 mm)D x 9 1/2" (232 mm)H	Chrome/Crominox™	1	23 lbs.	\$436.00

NOTES: See specifications on page 91 for critical installation dimensions. When installing, spacing of this product should allow for items being stored.
75# Weight Rated Soft-Close Ball Bearing Slides
CONTAINS: 5389-CR Organizer and four screws 5389-21 or 33-CR organizer, cabinet member slides, side mount spacers, feet for bottom mounting. Door mount brackets.

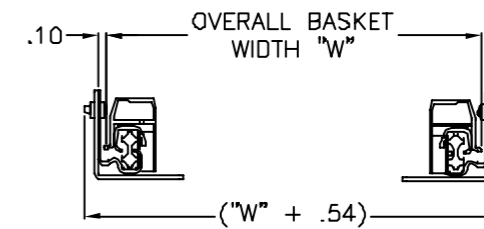
5300 SERIES

QUADRO SLIDES SPECIFICATIONS

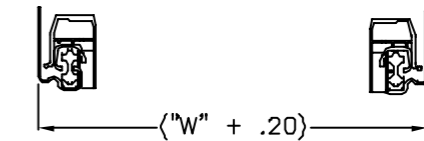
OVERALL BASKET WIDTH "W" IS THAT PART OF THE BASKET ASSEMBLY (INCLUDING SLIDES WITH PLASTIC END-CAPS) THAT MOVES THRU THE CABINET OPENING. IT EQUALS THE "BASKET SIZE"; I.E. 11 1/8", 14 1/8", 20 1/8" AND 32 1/8".
MINIMUM RECOMMENDED CABINET OPENINGS ARE: 11 3/8", 14 3/8", 20 3/8" AND 32 3/8"



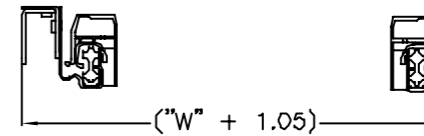
BOTTOM MOUNT



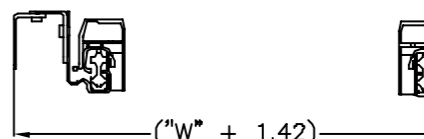
SIDE MOUNT (NO SPACERS)



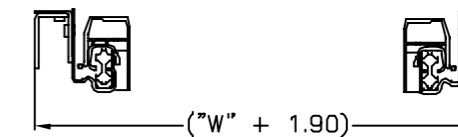
SIDE MOUNT WITH (1) SPACER MINIMIZED



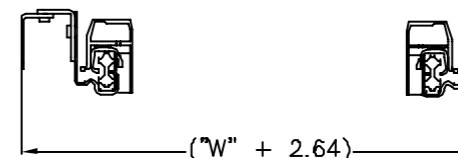
SIDE MOUNT WITH (1) SPACER MAXIMIZED



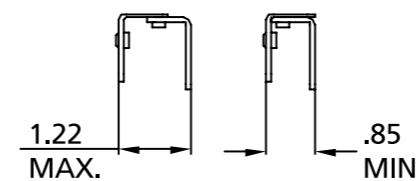
SIDE MOUNT WITH (2) SPACERS MINIMIZED



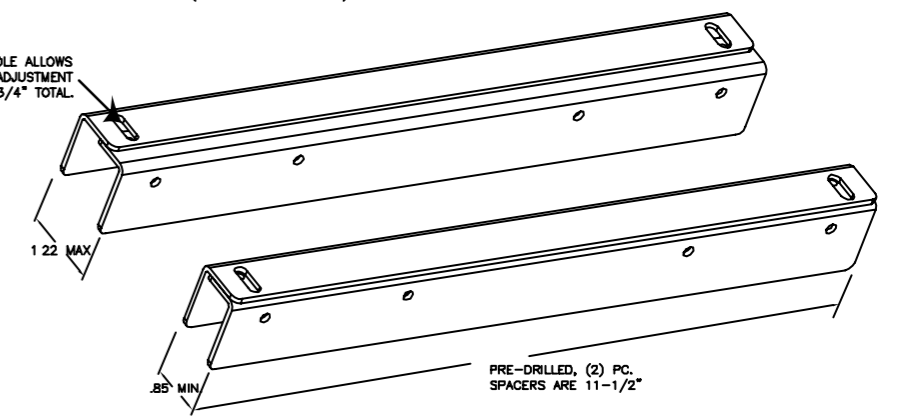
SIDE MOUNT WITH (2) SPACERS MAXIMIZED



PRE-DRILLED, (2) PC. SPACERS ARE 11 1/2" LONG



SLOTTED HOLE ALLOWS FOR 3/8" ADJUSTMENT PER SIDE, 3/4" TOTAL.



PART NO.	BASKET WIDTH	MINIMUM CABINET OPENING	MIN/MAX (ADJUSTMENT) WIDTHS FOR SIDE MOUNTING	
			(1) SPACER	(2) SPACER
5330-12CR	11 1/8"	11 3/8"	12.17 TO 12.54	13.02 TO 13.76
5330-15CR	14 1/8"	14 3/8"	15.17 TO 15.54	16.02 TO 16.76
5330/5389-21CR	20 1/8"	20 3/8"	21.17 TO 21.54	22.02 TO 22.76
5330/5389-33CR	32 1/8"	32 3/8"	33.07 TO 33.54	34.02 TO 34.76

Use these specifications for the Rev-A-Shelf Organizers.



Pullout Chrome Basket Page 95



Cookware Organizer Page 96

SINK & BASE ACCESSORIES

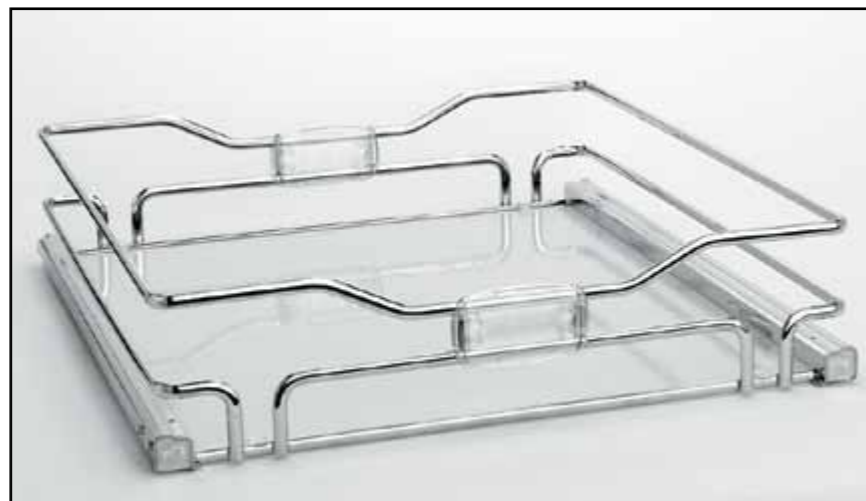
Premiere Cabinet Accessories

5330 GS SERIES

GLASS PULL-OUT BASKET

Introduce your kitchen to luxury with Glass Pullout baskets: these beautiful baskets can be side or bottom mounted and glide on full-extension soft-closing slides. Door mounting brackets are also included to turn the baskets into beautiful pullout drawers. Chrome plated designer oval wire fencing with a soft champagne "Flute" finish, ensure a perfect integration in the kitchen. The safety glass with Stylinox™ Anti-Skid surface make this truly an ultra high-end accessory option.

Designed for 18", 24", and 36" Base Cabinets, these pullout baskets are the perfect addition to your Face Frame or Frameless applications.

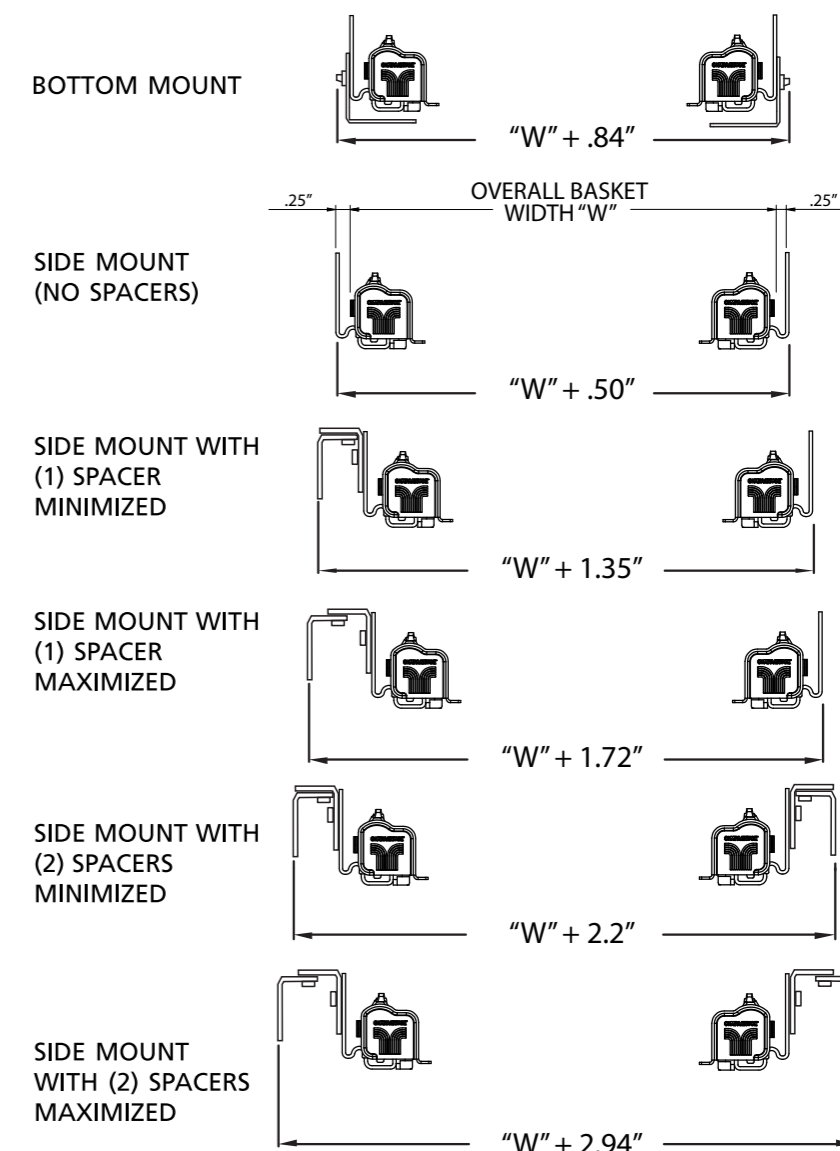


COMPAGNUCCI
QUALITY MADE IN ITALY

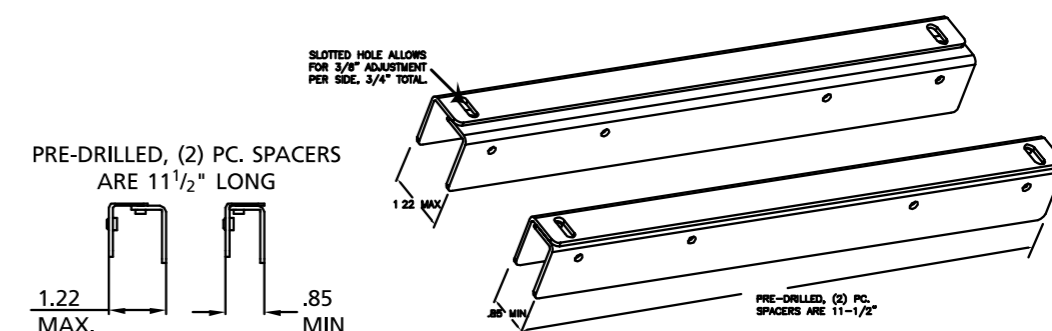
PRODUCT #s	DESCRIPTION	PRODUCT DIMENSIONS	FINISH	SET PER CARTON	WEIGHT PER CARTON	SUGGESTED LIST PRICE
Glass Pull-Out Basket						
Individual Pack						
5330-15-GS	15" Pullout Basket	14 ³ / ₈ " (365 mm)W x 22 ¹ / ₂ " (562 mm)D x 7 ¹ / ₂ " (190 mm)H	Glass/Flute	1	19 lbs.	\$439.35
5330-21-GS	21" Pullout Basket	20 ³ / ₈ " (517 mm)W x 22 ¹ / ₂ " (562 mm)D x 7 ¹ / ₂ " (190 mm)H	Glass/Flute	1	22 lbs.	\$489.40
5330-33-GS	33" Pullout Basket	32 ³ / ₈ " (822 mm)W x 22 ¹ / ₂ " (562 mm)D x 7 ¹ / ₂ " (190 mm)H	Glass/Flute	1	29 lbs.	\$542.75

5330 GS SERIES

GLASS PULL-OUT BASKET



PART NO.	BASKET WIDTH	MINIMUM CABINET OPENING	MIN/MAX (ADJUSTMENT) WIDTHS FOR SIDE MOUNTING	
			(1) SPACER	(2) SPACER
5330-15-GS	14"	14-1/2"	15.35"-15.72"	16.2"-16.94"
5330-21-GS	20"	20-1/2"	21.35"-21.72"	22.2"-22.94"
5330-33-GS	32"	32-1/2"	33.35"-33.72"	34.2"-34.94"



SINK & BASE ACCESSORIES

Premiere Cabinet Accessories

SINK & BASE ACCESSORIES

Premiere Cabinet Accessories

RAS-ML-HDCR SERIES

HEAVY-DUTY MIXER LIFT

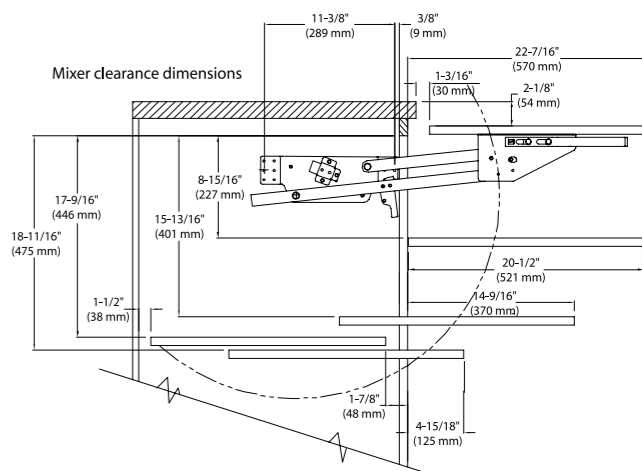
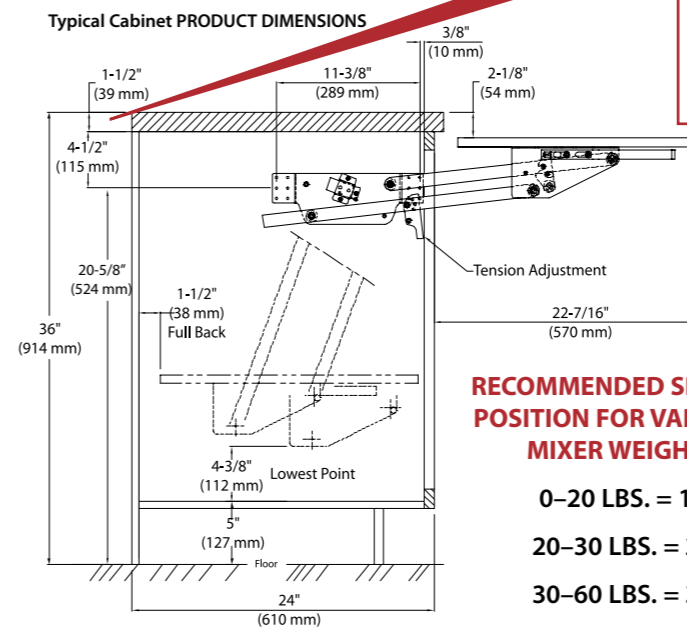
With design flexibility in mind, the heavy-duty chrome mixer lift can be attached to any custom made shelf and therefore will fit all cabinet sizes allowing a perfect match to your counter top or interior cabinet. Reversed as the "best in the industry", the RAS-ML-HDCR provides mechanical assist and features built-in shock dampeners, adjustable spring tension and holds appliances up to 60 lbs.



RAS-ML-HDCR SERIES

HEAVY-DUTY MIXER LIFT

NOTE: The dimensions listed provide clearance for an item 15³/₁₆" H x 14⁵/₁₆" D placed at the front edge of the shelf. Depending on your cabinet construction and your specific height and depth requirements, the 4¹/₂" dimension from the top of the cabinet to the middle of the lifting mechanism can be reduced to allow the platform to be closer to counter height, thus a greater distance below the unit in the closed position. It can also be increased to allow for items taller and deeper than the dimensions provided.



SHELF NOT INCLUDED

To determine shelf size measure the distance between mounting plates when installed minus 1¹/₄".
Recommended length of shelf is 20¹/₂".
Mounting plates are 1" wide.



PRODUCT #s	DESCRIPTION	PRODUCT DIMENSIONS	FINISH	SET PER CARTON	WEIGHT PER CARTON	SUGGESTED LIST PRICE
	Heavy-Duty Mixer Lift					Individual Pack
RAS-ML-HDCR	Heavy Duty Mixer Lift	See Illustrations Next page	Chrome	1	15 lbs.	\$153.70

NOTE: Needs to be installed in full height base cabinet. Provides mechanical assistance.
CONTAINS: Right and Left Lifting arms, Hardware. **SHELF NOT INCLUDED.**



5-DIV SERIES

CHROME BASKET DIVIDERS

Customize your Premiere Rev-A-Shelf basket with chrome dividers. The 5-DIV Series can be cut to fit numerous applications to form subdivided compartments. The Chrome Basket Dividers include five arms and ten fastening clips for the following Premiere Cabinet Accessories: 5330 WIRE Series 5PD Series 5207 Series 5200 Series




PRODUCT #s	DESCRIPTION	PRODUCT DIMENSIONS	FINISH	SET PER CARTON	WEIGHT PER CARTON	SUGGESTED LIST PRICE
Individual Pack						
5DIV-CR	5 Chrome Arms with 10 fastening clips	21¼" (540 mm) Length x ¼" (7 mm) Diameter	Chrome	1	2 lbs.	\$20.30

REV-A-SHELF®

800.626.1126 • rev-a-shelf.com







Multidecor S. de R.L. de C.V.
 Cuadrante de San Francisco Núm. 14-1
 Col. Cuadrante de San Francisco. C.P. 04320, México D.F.
 info@multidecor.com.mx (55) 5554 5858 / (55) 5544 3737
 www.multidecor.com.mx