



multidecor

Multidecor S. de R.L. de C.V.

Cuadrante de San Francisco Núm. 14-1

Col. Cuadrante de San Francisco. C.P. 04320, México D.F.

info@multidecor.com.mx (55) 5554 5858 / (55) 5544 3737

www.multidecor.com.mx



REV-A-SHELF®

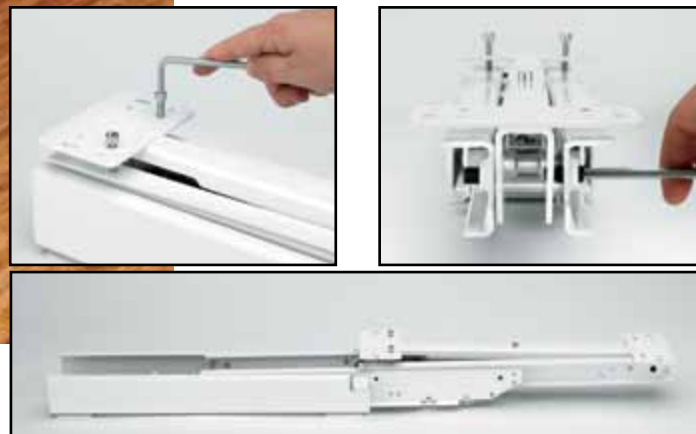
TALL & PANTRY ACCESSORIES

Organizing your pantry is easier than ever with Rev-A-Shelf's innovative line of accessories. Whether you prefer the beautiful look of wood, the luxurious style of chrome, or the more practical polymer; you are sure to find the perfect answer to your walk-in or in-cabinet pantry needs. Designed to increase functionality and enhance the look and performance of your kitchen, our ground breaking accessories provide easy access and organization for everyday items.

448-TP SERIES

PULLOUT WOOD PANTRY

Maximize your storage space with this fabulous and functional pullout pantry. Available in four widths and three heights, it rides on our soft-close slide system, and boasts unprecedented adjustment and strength. Constructed of beautiful maple, they feature adjustable shelves, door mount brackets, a telescoping rear wall, and all mounting hardware.



PANTRY FEATURES:

- Shipped ready to assemble
- Kit packaged with slide
- All mounting hardware included
- Patented Door Mount Brackets with micro-adjustment
- System hole shelf adjustment
- Fully accessible top shelf
- Rub bushings included for 1-1/2", 1-5/8", 1-3/4" face frames
- CARB II Compliant

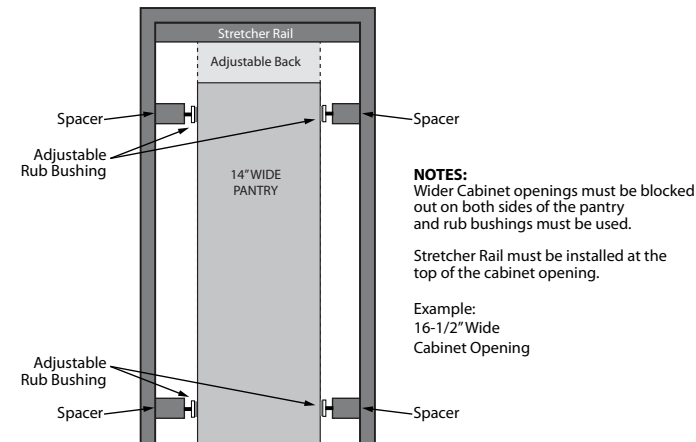
SLIDE FEATURES:

- 450 lbs. rated static
- 250 lbs. recommended use with pantry
- Heavy-duty gas assisted soft-close
- Innovative tilt adjustment
- Adjustment screws to center pantry
- Adjustment tool and consumer tip sheet included
- Pull-force is equal to opening a high-end refrigerator

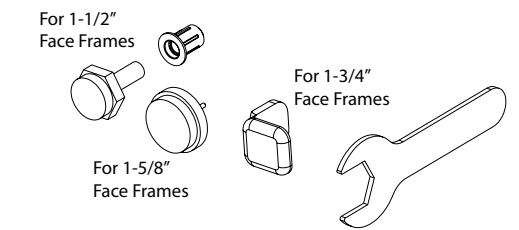
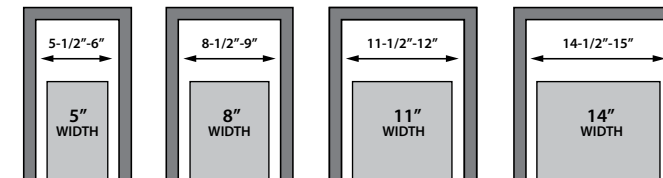
448-TP SERIES

PULLOUT WOOD PANTRY

448-TP SERIES PULLOUT WOOD PANTRY FRAMELESS "EURO" CABINET APPLICATION



448-TP SERIES PULLOUT WOOD PANTRY MINIMUM/MAXIMUM WIDTH



PART #	PRODUCT DIMENSIONS				CABINET DIMENSIONS	
	WIDTH	DEPTH	HEIGHT (MIN)	HEIGHT (MAX)	WIDTH (MIN/MAX)	HEIGHT (MIN/MAX)
448-TP43-5-1	5" (127 mm)	22" (559 mm)	43 ³ / ₈ " (1102 mm)	51 ⁷ / ₈ " (1318 mm)	5 ¹ / ₂ " - 6" (140-153 mm)	43 ¹ / ₂ " - 51" (1105-1296 mm)
448-TP51-5-1	5" (127 mm)	22" (559 mm)	50 ⁷ / ₈ " (1293 mm)	59 ³ / ₈ " (1509 mm)	5 ¹ / ₂ " - 6" (140-153 mm)	51" - 58 ¹ / ₂ " (1296-1486 mm)
448-TP58-5-1	5" (127 mm)	22" (559 mm)	58 ³ / ₈ " (1483 mm)	66 ⁷ / ₈ " (1699 mm)	5 ¹ / ₂ " - 6" (140-153 mm)	58 ¹ / ₂ " - 66" (1486-1677 mm)
448-TP43-8-1	8" (204 mm)	22" (559 mm)	43 ¹ / ₄ " (1099 mm)	51 ¹³ / ₁₆ " (1316 mm)	8 ¹ / ₂ " - 9" (216-229 mm)	43 ¹ / ₂ " - 51" (1105-1296 mm)
448-TP51-8-1	8" (204 mm)	22" (559 mm)	50 ³ / ₄ " (1289 mm)	59 ⁵ / ₁₆ " (1507 mm)	8 ¹ / ₂ " - 9" (216-229 mm)	51" - 58 ¹ / ₂ " (1296-1486 mm)
448-TP58-8-1	8" (204 mm)	22" (559 mm)	58 ¹ / ₄ " (1480 mm)	66 ¹³ / ₁₆ " (1697 mm)	8 ¹ / ₂ " - 9" (216-229 mm)	58 ¹ / ₂ " - 66" (1486-1677 mm)
448-TP43-11-1	11" (280 mm)	22" (559 mm)	43 ¹ / ₄ " (1099 mm)	51 ¹³ / ₁₆ " (1316 mm)	11 ¹ / ₂ " - 12" (292-305 mm)	43 ¹ / ₂ " - 51" (1105-1296 mm)
448-TP51-11-1	11" (280 mm)	22" (559 mm)	50 ³ / ₄ " (1289 mm)	59 ⁵ / ₁₆ " (1507 mm)	11 ¹ / ₂ " - 12" (292-305 mm)	51" - 58 ¹ / ₂ " (1296-1486 mm)
448-TP58-11-1	11" (280 mm)	22" (559 mm)	58 ¹ / ₄ " (1480 mm)	66 ¹³ / ₁₆ " (1697 mm)	11 ¹ / ₂ " - 12" (292-305 mm)	58 ¹ / ₂ " - 66" (1486-1677 mm)
448-TP43-14-1	14" (356 mm)	22" (559 mm)	43 ¹ / ₄ " (1099 mm)	51 ¹³ / ₁₆ " (1316 mm)	14 ¹ / ₂ " - 15" (369-381 mm)	43 ¹ / ₂ " - 51" (1105-1296 mm)
448-TP51-14-1	14" (356 mm)	22" (559 mm)	50 ³ / ₄ " (1289 mm)	59 ⁵ / ₁₆ " (1507 mm)	14 ¹ / ₂ " - 15" (369-381 mm)	51" - 58 ¹ / ₂ " (1296-1486 mm)
448-TP58-14-1	14" (356 mm)	22" (559 mm)	58 ¹ / ₄ " (1480 mm)	66 ¹³ / ₁₆ " (1697 mm)	14 ¹ / ₂ " - 15" (369-381 mm)	58 ¹ / ₂ " - 66" (1486-1677 mm)

PRODUCT #'s	DESCRIPTION	FINISH	SET PER CARTON	WEIGHT PER CARTON	SUGGESTED LIST PRICE
Pullout Wood Pantry					
448-TP43-5-1	5"W x 43"H Wood Pantry with Slide	Wood	1	54 lbs.	\$563.75
448-TP51-5-1	5"W x 51"H Wood Pantry with Slide	Wood	1	57 lbs.	\$595.35
448-TP58-5-1	5"W x 58"H Wood Pantry with Slide	Wood	1	60 lbs.	\$622.50
448-TP43-8-1	8"W x 43"H Wood Pantry with Slide	Wood	1	62 lbs.	\$595.25
448-TP51-8-1	8"W x 51"H Wood Pantry with Slide	Wood	1	65 lbs.	\$637.85
448-TP58-8-1	8"W x 58"H Wood Pantry with Slide	Wood	1	68 lbs.	\$681.05
448-TP43-11-1	11"W x 43"H Wood Pantry with Slide	Wood	1	70 lbs.	\$656.70
448-TP51-11-1	11"W x 51"H Wood Pantry with Slide	Wood	1	78 lbs.	\$709.65
448-TP58-11-1	11"W x 58"H Wood Pantry with Slide	Wood	1	79 lbs.	\$762.00
448-TP43-14-1	14"W x 43"H Wood Pantry with Slide	Wood	1	78 lbs.	\$718.90
448-TP51-14-1	14"W x 51"H Wood Pantry with Slide	Wood	1	85 lbs.	\$782.15
448-TP58-14-1	14"W x 58"H Wood Pantry with Slide	Wood	1	89 lbs.	\$845.05



NOTE: Pull-force is equal to opening a high-end refrigerator or dishwasher. Decorative Hardware Cabinet Pull should be mounted/positioned centrally on the cabinet door to allow 448-TP Wood Pantry Pull-Out to pull-out easily.

432 SERIES

TALL FILLER ORGANIZERS

Create a pantry behind those decorative panels with these Tall 432 fillers. Available for 6" applications, the 432TF Series comes in 39" and 45" heights and can be used alone or in conjunction with others to meet your 84", 90", or 96" height requirements. A beautiful addition to any kitchen; each unit features adjustable shelves (5 for the 39", and 6 for the 45") with chrome rails, 150 lb. full-extension ball bearing slides, mounting brackets and our three-slide design that provides for the most stable function on the market. Made from maple with a UV clear coat finish to match any kitchen décor.

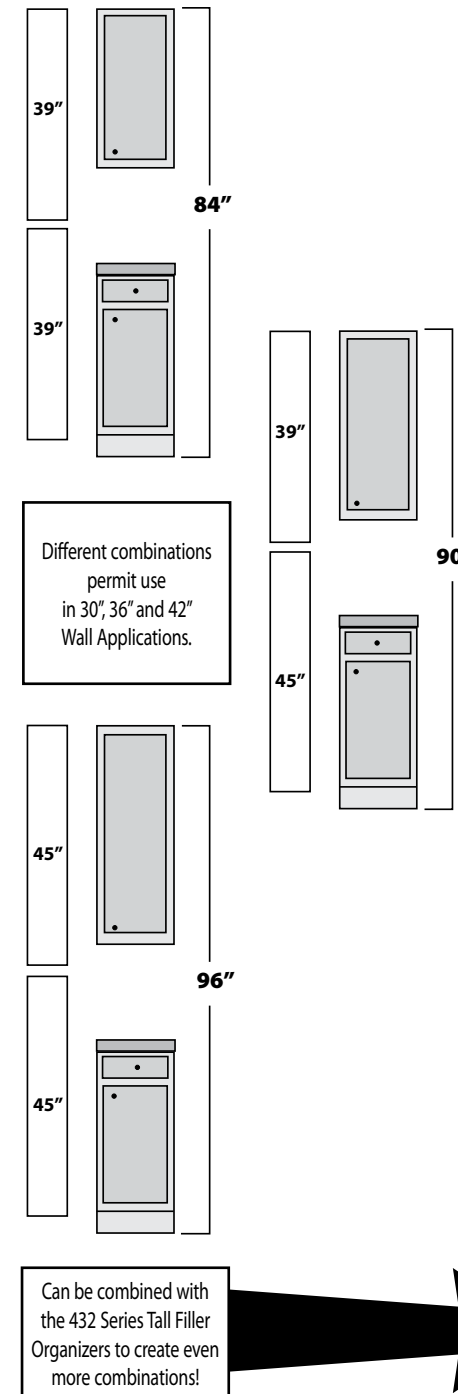


PRODUCT #s	DESCRIPTION	PRODUCT DIMENSIONS	FINISH	SET PER CARTON	WEIGHT PER CARTON	SUGGESTED LIST PRICE
Tall Filler Organizers						
Individual Pack						
432-TF39-6C	39" Tall Filler Organizer	6" (153 mm)W x 23" (584 mm)D x 38½" (978 mm)H	Wood	1	42 lbs.	\$360.75
432-TF45-6C	45" Tall Filler Organizer	6" (153 mm)W x 23" (584 mm)D x 44½" (1130 mm)H	Wood	1	46 lbs.	\$388.75

434 SERIES

TALL STAINLESS FILLER ORGANIZERS

Functional storage space is waiting behind those decorative panels with these Tall 434 fillers. Available for 6" applications this filler comes in 39" and 45" heights and can be used alone or in conjunction with others to meet your 84", 90", or 96" height requirements. Now customization and style is yours with the 434's magnetic grade stainless steel panel, chrome accents and array of accessory hooks. The 434TF also features 150 lb. full-extension ball bearing slides, mounting brackets and our three-slide design that provides for the most stable function on the market.



PRODUCT #s	DESCRIPTION	PRODUCT DIMENSIONS	FINISH	SET PER CARTON	WEIGHT PER CARTON	SUGGESTED LIST PRICE
Tall Filler Organizers						
Individual Pack						
434-TF39-6SS	39" Tall Filler Organizer (Left Handed)	6" (153 mm)W x 23" (584 mm)D x 38½" (978 mm)H	Wood	1	45 lbs.	\$498.80
434-TF39R-6SS	39" Tall Filler Organizer (Right Handed)	6" (153 mm)W x 23" (584 mm)D x 38½" (978 mm)H	Wood	1	45 lbs.	\$498.80
434-TF45-6SS	45" Tall Filler Organizer (Left Handed)	6" (153 mm)W x 23" (584 mm)D x 44½" (1130 mm)H	Wood	1	49 lbs.	\$529.55
434-TF45R-6SS	45" Tall Filler Organizer (Right Handed)	6" (153 mm)W x 23" (584 mm)D x 44½" (1130 mm)H	Wood	1	49 lbs.	\$529.55

4WP SERIES

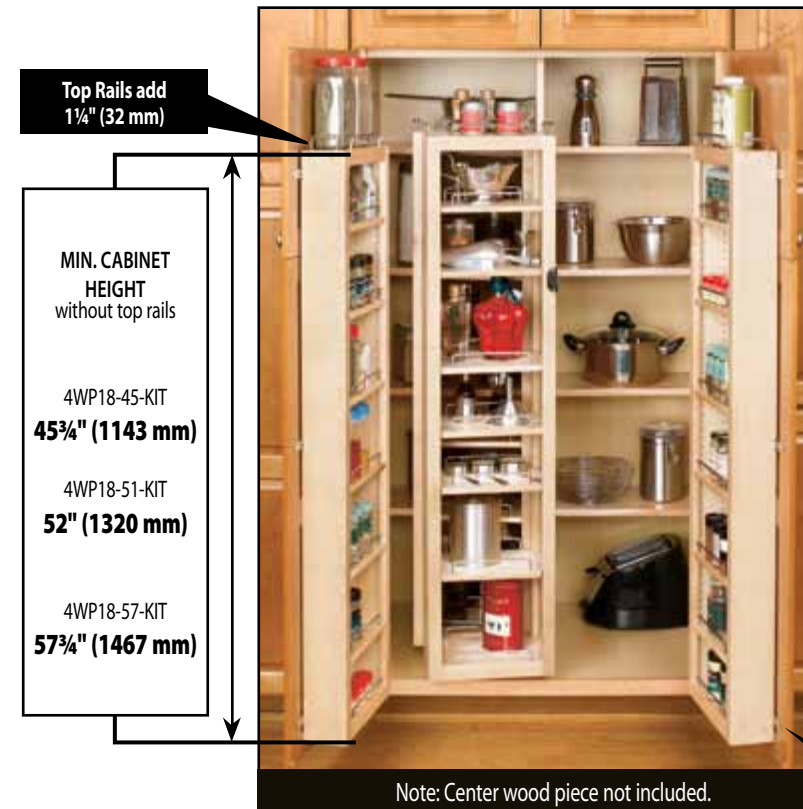
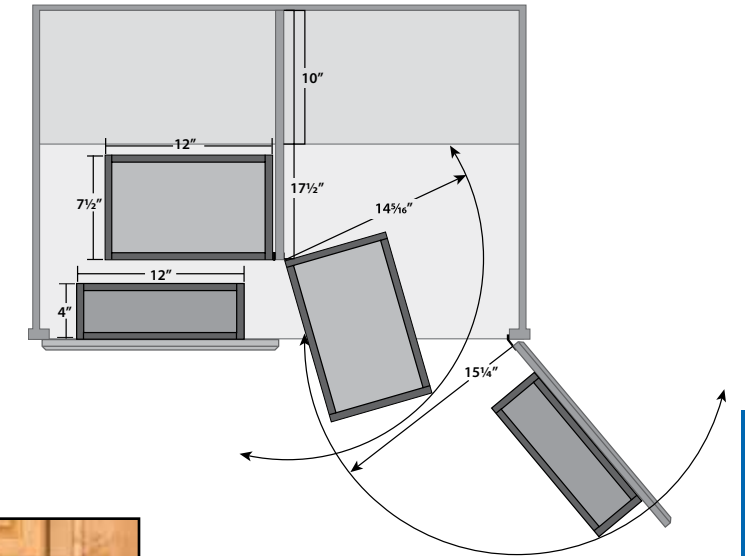
WOOD SWING-OUT PANTRY

Rev-A-Shelf introduces the 4WP Series Swing-Out Wood Pantry System. Created for both Base and Tall 36" Pantry cabinets, the series features amenities the competitors just don't offer: From an industrial piano hinge, adjustable inside door and pantry shelves with chrome rails, to the flexibility of being able to add or remove stylish chrome bars to the top of the units for additional shelf space on both doors and swing-out pantry. The solid construction consists of 1/2" maple that has a UV-cured, clear finish to ensure a beautiful match to any cabinet. The complete kit includes two swing-out units and two door storage units with adjustable mounting brackets.



4WP SERIES

WOOD SWING-OUT PANTRY



US PATENT NO: 7,204,569



Door Mount Brackets allow up to 5" of adjustment!

PRODUCT #s	DESCRIPTION	PRODUCT DIMENSIONS	FINISH	SET PER CARTON	WEIGHT PER CARTON	SUGGESTED LIST PRICE
Wood Swing Out Kits and Components						
Individual Pack						
4WBP18-25	25" Swing Out Pantry (w/Hardware) Single	12" (305 mm)W x 7 1/2" (191 mm)D x 25" (635 mm)H	Wood	1	17 lbs.	\$115.85
4WBP18-25	25" Pantry Door Unit (w/Hardware) Single	12" (305 mm)W x 4" (102 mm)D x 25" (1296 mm)H	Wood	1	11 lbs.	\$103.80
4WBP18-25-KIT	25" Swing Out Pantry Kit - Includes (2) 4WBP18-25 and (2) 4WBP18-25		Wood	1	58.8 lbs.	\$419.50
4WSP18-45	45" Swing Out Pantry (w/Hardware) Single	12" (305 mm)W x 7 1/2" (191 mm)D x 45" (1143 mm)H	Wood	1	25 lbs.	\$194.15
4WDP18-45	45" Pantry Door Unit (w/Hardware) Single	12" (305 mm)W x 4" (102 mm)D x 45" (1143 mm)H	Wood	1	17 lbs.	\$151.10
4WP18-45-KIT	45" Swing Out Pantry Kit - Includes (2) 4WDP18-45 and (2) 4WSP18-45		Wood	1	90.5 lbs.	\$680.05
4WSP18-51	51" Swing Out Pantry (w/Hardware) Single	12" (305 mm)W x 7 1/2" (191 mm)D x 51 1/4" (1302 mm)H	Wood	1	28 lbs.	\$206.05
4WDP18-51	51" Pantry Door Unit (w/Hardware) Single	12" (305 mm)W x 4" (102 mm)D x 51 1/4" (1302 mm)H	Wood	1	19 lbs.	\$160.50
4WP18-51-KIT	51" Swing Out Pantry Kit - Includes (2) 4WSP18-51 and (2) 4WDP18-51		Wood	1	101 lbs.	\$721.95
4WSP18-57*	57" Swing Out Pantry (w/Hardware) Single	12" (305 mm)W x 7 1/2" (191 mm)D x 57" (1448 mm)H	Wood	1	29 lbs.	\$213.45
4WDP18-57*	57" Pantry Door Unit (w/Hardware) Single	12" (305 mm)W x 4" (102 mm)D x 57" (1448 mm)H	Wood	1	23 lbs.	\$161.95
4WP18-57-KIT*	57" Swing Out Pantry Kit - Includes (2) 4WDP18-57 and (2) 4WSP18-57		Wood	1	105.5 lbs.	\$727.20

* Top Rail NOT included with these models.

TALL & PANTRY ACCESSORIES

REV-A-SHELF®
Wood Classics™

TALL & PANTRY ACCESSORIES

REV-A-SHELF®
Wood Classics™

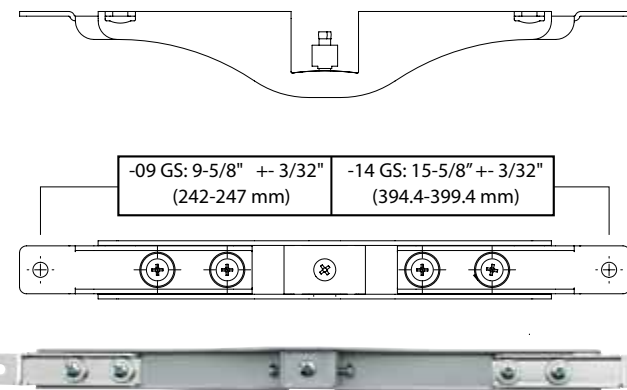


5200 GS SERIES

PULLOUT GLASS PANTRY

Give your kitchen functional storage and a luxurious look with our new Glass Pullout Pantry. Available in 3 heights & 2 widths; each feature adjustable tempered glass shelves with Stylinox™, an Anti-Skid transparent coating that not only prevents skidding, but protects the glass and softens the surface. The glass is surrounded by chrome plated oval wire, finished with a soft-champagne "Flute" finish that showcases an ultra high-end style.

The pantry has a 250 lb. rated soft-closing slide, is door mountable and comes kit packaged: Constructed of the highest quality materials in a facility designed with the environment in mind the 5200 Glass pantries are the ideal pantry choice for any kitchen.



Door mount brackets feature micro adjustment to ensure proper door alignment.

Series	Frame Height	Depth	# of Baskets	# of Door Mount Brackets	Net Minimum Width:	
					-09	-14
5225	26-3/8"–35" 670-890 mm	20" 508 mm	3	2	8-7/8" 226 mm	14-3/4" 375 mm
5258	59-1/2–66-7/8" 1510-1700 mm	20" 508 mm	5	3	8-7/8" 226 mm	14-3/4" 375 mm
5273	74-7/8–81-7/8" 1900-2080 mm	20" 508 mm	6	4	8-7/8" 226 mm	14-3/4" 375 mm

Individual Baskets Dimensions:
Width = Net Minimum Width from chart
Depth = 17-1/4" (438 mm), Height = 3" (77 mm)



MINIMUM SPACE REQUIRED TO CLEAR WALL IS 6" (153 mm)

PRODUCT #S	DESCRIPTION	BASKET WIDTH	FRAME HEIGHT	OVERALL DEPTH	FINISH	SET PER CARTON	WEIGHT PER CARTON	SUGGESTED LIST PRICE	Individual Pack	
5225-09-GS	3 Baskets/2 Door Mount Brackets	8 7/8" (226 mm)	See Above	20" (508 mm)	Glass/Flute	1	49 lbs.	\$991.50		
5225-14-GS	3 Baskets/2 Door Mount Brackets	14 3/4" (375 mm)	See Above	20" (508 mm)	Glass/Flute	1	56 lbs.	\$1,069.80		
5258-09-GS	5 Baskets/3 Door Mount Brackets	8 7/8" (226 mm)	See Above	20" (508 mm)	Glass/Flute	1	67 lbs.	\$1,371.25		
5258-14-GS	5 Baskets/3 Door Mount Brackets	14 3/4" (375 mm)	See Above	20" (508 mm)	Glass/Flute	1	78 lbs.	\$1,485.40		
5273-09-GS	6 Baskets/4 Door Mount Brackets	8 7/8" (226 mm)	See Above	20" (508 mm)	Glass/Flute	1	76 lbs.	\$1,493.50		
5273-14-GS	6 Baskets/4 Door Mount Brackets	14 3/4" (375 mm)	See Above	20" (508 mm)	Glass/Flute	1	88 lbs.	\$1,639.10		

NOTE: All pantry kits are packaged with frame, baskets, and door mounting brackets in one carton. 250# rated Full-Extension slides. (See above for more information.) Baskets are adjustable, first basket mounts on top of the slide, 6" (152 mm) from floor, holes then available every 4" (102 mm) above that.

TALL & PANTRY ACCESSORIES

Premiere Cabinet Accessories



5300 GS SERIES

ROTATING PULLOUT GLASS PANTRY

This glass rotating pantry will make everyone stop and turn around. The bright and cold sheen of the chrome plated oval wire fence combined with the warm and encompassing brightness of the soft champagne "Flute" finish proclaim the Italian design. The heavy-duty 250 lb. rated, soft-closing slide features an innovative pivoting function that rotates 90 degrees to the left and right allowing full access to the six adjustable shelves.

The shelves are made of tempered safety glass with Stylinox™, an Anti-Skid transparent coating that protects the glass and softens the surface, resulting in a reduction in cracks on item stored within; while muffling the noise inherent with glass.

This ultra-high end door mounted accessory requires a 20" deep pantry cabinet with a 14-9/16" width opening. Telescoping hardware enable it to fit in heights ranging from 75-1/2" to 92-3/8".



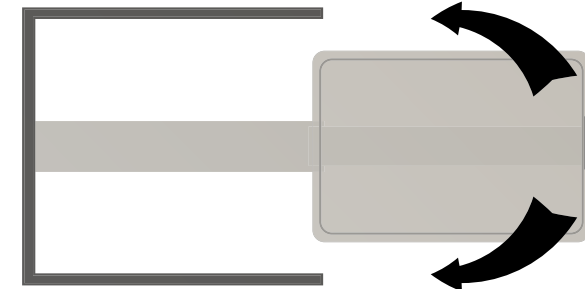
COMPAGNUCCI
QUALITY MADE IN ITALY

5300 GS SERIES

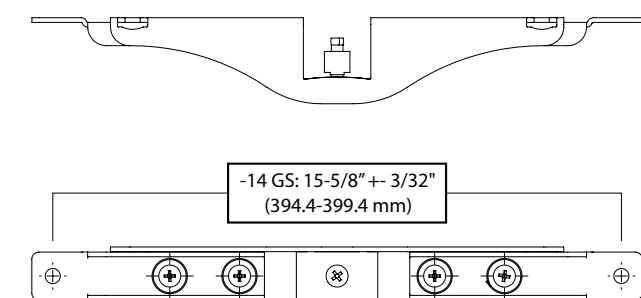
ROTATING PULLOUT GLASS PANTRY



Spins 90° in either direction!



Door mount brackets feature micro adjustment to ensure proper door alignment.



-14 GS: 15-5/8" +/- 3/32"
(394.4-399.4 mm)

PRODUCT #S	DESCRIPTION	BASKET WIDTH	FRAME HEIGHT	OVERALL DEPTH	FINISH	SET PER CARTON	WEIGHT PER CARTON	SUGGESTED LIST PRICE
								Individual Pack
5360-73-14-GS	6 Baskets/4 Door Mount Brackets	14 3/4" (375 mm)	75 1/2"-92 3/8" (1918-2347 mm)	20" (508 mm)	Glass/Flute	1	95 lbs.	\$1,909.20

CONTAINS: Frame, baskets, and door mounting brackets in one carton. 250# rated Full-Extension slides.
NOTE: Ship by truck.



TALL & PANTRY
ACCESSORIES

Premiere
Cabinet Accessories

TALL & PANTRY
ACCESSORIES

Premiere
Cabinet Accessories

5200 CR SERIES

CHROME PULLOUT PANTRY

Enhance functionality and preserve a stylish image with the Chrome Pullout Pantry. The 5200 CR Series is available in a plentiful selection of sizes and is designed on the 250 lbs. rated slide system for a quiet glide out function. This Premiere accessory features micro-adjustment door mounting brackets and top and bottom slide covers for a finished look. The chrome pullout pantries are kit packaged with frame, baskets and door mounting brackets in one carton.



5200 Series Chrome Pullout Pantry

Another Rev-A-Shelf Innovation ... Double Soft-Close Slides!

Even with the most heavy loads our pantries will shut softly with our Heavy-Duty Soft-Close slide system, developed and manufactured exclusively for Rev-A-Shelf by:



Lower Soft-Close Slide



Upper Soft-Close Slide

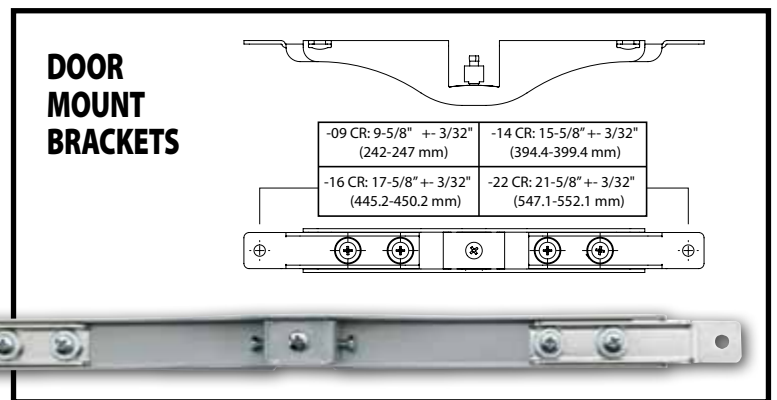


5200 SERIES

SPECIFICATIONS

Series	Frame Height	Depth	# of Baskets	# of Door Mount Brackets	Net Minimum Width:			
					-09	-14	-16	-20
5225	26-3/8"-35" 670-890 mm	20" 508 mm	3	2	8-7/8" 226 mm	14-3/4" 375 mm	16-3/4" 426 mm	20-5/8" 524 mm
5243	44-5/8"-52" 1132-1319 mm	20" 508 mm	4	2	8-7/8" 226 mm	14-3/4" 375 mm	n/a	20-5/8" 524 mm
5250	52"-59-1/2" 1319-1510 mm	20" 508 mm	4	2	8-7/8" 226 mm	14-3/4" 375 mm	n/a	20-5/8" 524 mm
5258	59-1/2"-66-7/8" 1510-1700 mm	20" 508 mm	5	3	8-7/8" 226 mm	14-3/4" 375 mm	n/a	20-5/8" 524 mm
5273	74-7/8"-81-7/8" 1900-2080 mm	20" 508 mm	6	4	8-7/8" 226 mm	14-3/4" 375 mm	n/a	20-5/8" 524 mm

Individual Baskets Dimensions:
Width = Net Minimum Width from chart
Depth = 17-1/4" (438 mm), Height = 3" (77 mm)



PRODUCT #S	DESCRIPTION	BASKET WIDTH	FRAME HEIGHT	OVERALL DEPTH	FINISH	SET PER CARTON	WEIGHT PER CARTON	SUGGESTED LIST PRICE
Base Cabinet "SHORTY" Pullout Pantry						Individual Pack		
5225-09 CR	3 Baskets/2 Door Mount Brackets	8 ⁷ / ₈ " (226 mm)	See Above	20" (508 mm)	Chrome	1	36 lbs.	\$910.15
5225-14 CR	3 Baskets/2 Door Mount Brackets	14 ³ / ₄ " (375 mm)	See Above	20" (508 mm)	Chrome	1	40 lbs.	\$936.10
5225-16 CR	3 Baskets/2 Door Mount Brackets	16 ³ / ₄ " (426 mm)	See Above	20" (508 mm)	Chrome	1	42 lbs.	\$975.85
5225-20 CR	3 Baskets/2 Door Mount Brackets	20 ⁵ / ₈ " (524 mm)	See Above	20" (508 mm)	Chrome	1	44 lbs.	\$1,008.50
Utility Cabinet Pullout Pantry						Individual Pack		
5243-09N CR	4 Baskets/2 Door Mount Brackets	8 ⁷ / ₈ " (226 mm)	See Above	20" (508 mm)	Chrome	1	46 lbs.	\$991.10
5243-14N CR	4 Baskets/2 Door Mount Brackets	14 ³ / ₄ " (375 mm)	See Above	20" (508 mm)	Chrome	1	49 lbs.	\$1,059.50
5243-20N CR	4 Baskets/2 Door Mount Brackets	20 ⁵ / ₈ " (524 mm)	See Above	20" (508 mm)	Chrome	1	53 lbs.	\$1,126.95
5250-09 CR	4 Baskets/2 Door Mount Brackets	8 ⁷ / ₈ " (226 mm)	See Above	20" (508 mm)	Chrome	1	49 lbs.	\$1,071.85
5250-14 CR	4 Baskets/2 Door Mount Brackets	14 ³ / ₄ " (375 mm)	See Above	20" (508 mm)	Chrome	1	56 lbs.	\$1,162.30
5250-20 CR	4 Baskets/2 Door Mount Brackets	20 ⁵ / ₈ " (524 mm)	See Above	20" (508 mm)	Chrome	1	60 lbs.	\$1,251.35
5258-09 CR	5 Baskets/3 Door Mount Brackets	8 ⁷ / ₈ " (226 mm)	See Above	20" (508 mm)	Chrome	1	48 lbs.	\$1,152.45
5258-14 CR	5 Baskets/3 Door Mount Brackets	14 ³ / ₄ " (375 mm)	See Above	20" (508 mm)	Chrome	1	58 lbs.	\$1,262.95
5258-20 CR	5 Baskets/3 Door Mount Brackets	20 ⁵ / ₈ " (524 mm)	See Above	20" (508 mm)	Chrome	1	65 lbs.	\$1,379.70
5273-04 CR	6 Baskets/4 Door Mount Brackets	4" (100mm)	See Above	20" (508 mm)	Chrome	1	61 lbs.	\$1,228.45
5273-09 CR	6 Baskets/4 Door Mount Brackets	8 ⁷ / ₈ " (226 mm)	See Above	20" (508 mm)	Chrome	1	66 lbs.	\$1,325.75
5273-14 CR	6 Baskets/4 Door Mount Brackets	14 ³ / ₄ " (375 mm)	See Above	20" (508 mm)	Chrome	1	75 lbs.	\$1,467.10
5273-20 CR	6 Baskets/4 Door Mount Brackets	20 ⁵ / ₈ " (524 mm)	See Above	20" (508 mm)	Chrome	1	82 lbs.	\$1,622.55
5200-DM-KIT-52	Door Mount Extenders (one pair)				Silver Epoxy	1	1 lbs.	\$65.10

NOTE: All pantry kits are packaged with frame, baskets, and door mounting brackets in one carton. 250# rated Full-Extension slides. **Ship by truck.** (See above for more information.) Baskets are adjustable, first basket mounts on top of the slide, 6" (152 mm) from floor, holes then available every 4" (102 mm) above that.



TALL & PANTRY ACCESSORIES

Premiere Cabinet Accessories

TALL & PANTRY ACCESSORIES

Premiere Cabinet Accessories

5222 SERIES

CHEF'S ROLL-OUT PANTRY WITH DOOR STORAGE



WOW! That's the general reaction from people introduced to the Chef's Roll-Out Pantry. This state-of-the-art organizer features a swing-out frame with 20 large interior chrome baskets, pivot-sliding hardware, 2 sets of door storage standards and 10 door mount baskets with fasteners.



Small Door Storage Basket

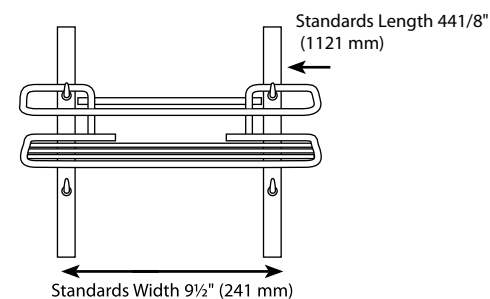
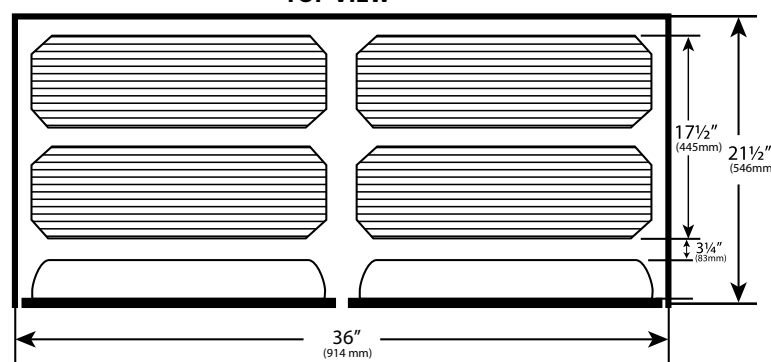
Height: 2³/₈" (61 mm)
 Depth: 2³/₄" (70 mm)
 Width: 12³/₈" (315 mm)



Large Pantry Basket

Height: 3" (76 mm)
 Depth: 7⁷/₈" (200 mm)
 Width: 14¹⁵/₁₆" (380 mm)

TOP VIEW



PRODUCT #s	DESCRIPTION	PRODUCT DIMENSIONS	FINISH	SET PER CARTON	WEIGHT PER CARTON	SUGGESTED LIST PRICE
Chef's Pantry and Door Storage						
Individual Pack						
5222-21 CR	Chef's Roll-Out Pantry	34" (864 mm) W x 21 1/2" (546 mm) D x 49 1/4"-52 1/4" (1251-1315 mm) H	Chrome	1	162 lbs.	\$3,845.40

CONTAINS: 5222-21 CR - Chrome plated pantry frame with all pivot and mounting hardware. (20) large interior baskets, (10) small door baskets, and 2 sets of 44" long door mount brackets.
NOTE: Chef's Pantry and Door Storage is available in chrome only. 220# Weight Capacity. Ship by truck



4265 SERIES

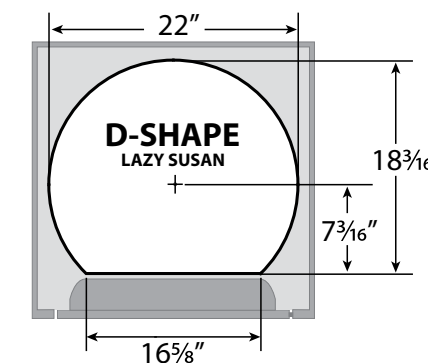
WOOD D-SHAPED PANTRY SETS



Our 22" D-Shape Wood Lazy Susan also comes in a 5 shelf set designed for pantry/tall cabinet applications. These durable wood shelves are made from a 5/8" thick high-density multi-ply shelf with a 1" high solid wood rim and is protected with a UV-cured clear coat finish.

The 4235 Series Wood Storage Trays are ideal for any of your storage needs. The 11", 14" and 20" width trays feature a sleek design constructed of beautiful maple with chrome accents. The door storage trays are easy to install on 26" or 58" standards with standard clips (sold separately).

Three Sizes Available
 11", 14" and 20"
 (Shown with optional standard and clips
 6232-58-4528-52)



PRODUCT #s	DESCRIPTION	PRODUCT DIMENSIONS	FINISH	SET PER CARTON	WEIGHT PER CARTON	SUGGESTED LIST PRICE
5 Shelf D-Shape Pantry Sets and Hardware, Independent Rotating						
Individual Pack						
4265-22-52	5 Shelf D-Shape Set	22" (560 mm) Diameter	Wood	1	38 lbs.	\$622.80
Door Storage Trays						
Bulk Pack						
4235-11-5	11" Wood Door Storage Tray w/Screw In Clips	10 3/4" (273 mm) W x 4 1/4" (108 mm) D x 3 5/8" (91 mm) H	Wood	5 tray	12 lbs.	\$26.85 ea.
4235-14-5	14" Wood Door Storage Tray w/Screw In Clips	13 3/4" (349 mm) W x 4 1/4" (108 mm) D x 3 5/8" (91 mm) H	Wood	5 tray	12 lbs.	\$28.70 ea.
4235-20-5	20" Wood Door Storage Tray w/Screw In Clips	19 3/4" (502 mm) W x 4 1/4" (108 mm) D x 3 5/8" (91 mm) H	Wood	5 tray	18 lbs.	\$33.35 ea.
Hardware						
6232-26-4528-52	Pair Aluminum Standards & 4 Clips	26" (1473 mm) L	Bright Aluminum	1 pr.	1 lbs.	\$43.50
6232-58-4528-52	Pair Aluminum Standards & 10 Clips	58" (1473 mm) L	Bright Aluminum	1 pr.	2 lbs.	\$60.90

4265 SERIES CONTAINS:

(5) shelves, w/ (5) positioning base assemblies and telescoping shaft to accommodate 56"-62" (1423-1575 mm) Inner Cabinet Height. 1" (26 mm) diameter shaft system.

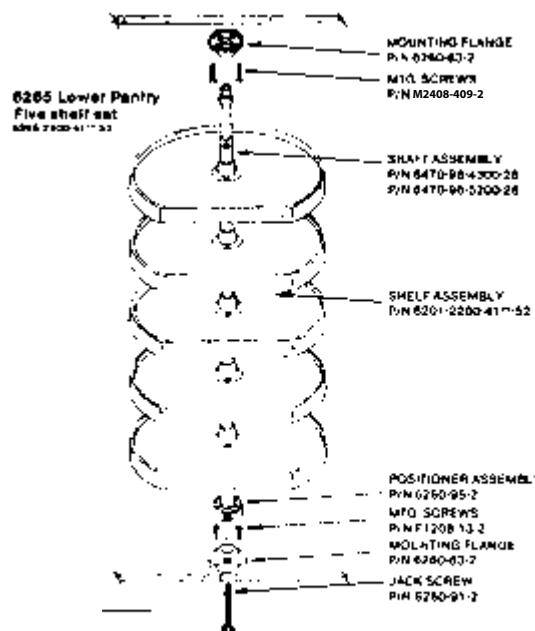
6265 SERIES

PANTRY CABINET SHELVES

These pantry sets include 5 polymer D-shaped shelves with an independent rotating system. The D-Shaped shelves are available in 22" diameters. Available in either white or almond color.



Featuring Chrome Hubs & Hardware



DOOR STORAGE SOLD SEPARATELY!

SEE PAGE 239 FOR LIP DIMENSIONS!

PRODUCT #S	DESCRIPTION	PRODUCT DIMENSIONS	FINISH	SET PER CARTON	WEIGHT PER CARTON	SUGGESTED LIST PRICE
5 Shelf D-Shape Pantry Sets and Hardware, Independent Rotating						
Individual Pack						
6265-22-**-52	5 Shelf D-Shape Set	22" (560 mm) Diameter	Polymer	1	27.5 lbs.	\$330.90
6232-58-4528-52	Pair Standards & 10 Clips	58" (1473 mm) L	Bright Aluminum	1 pr.	1.6 lbs.	\$60.90
6235-20-**-52	5 Door Storage Trays	19 3/4" (350 mm)W x 4 1/4" (110 mm)D x 3 3/8" (95 mm)H"	Polymer	1	5 lbs.	\$71.80

6265 SERIES CONTAINS: (5) shelves, w/ (5) positioning base assemblies and telescoping shaft to accommodate 56"-62" (1423-1575 mm) Inner Cabinet Height

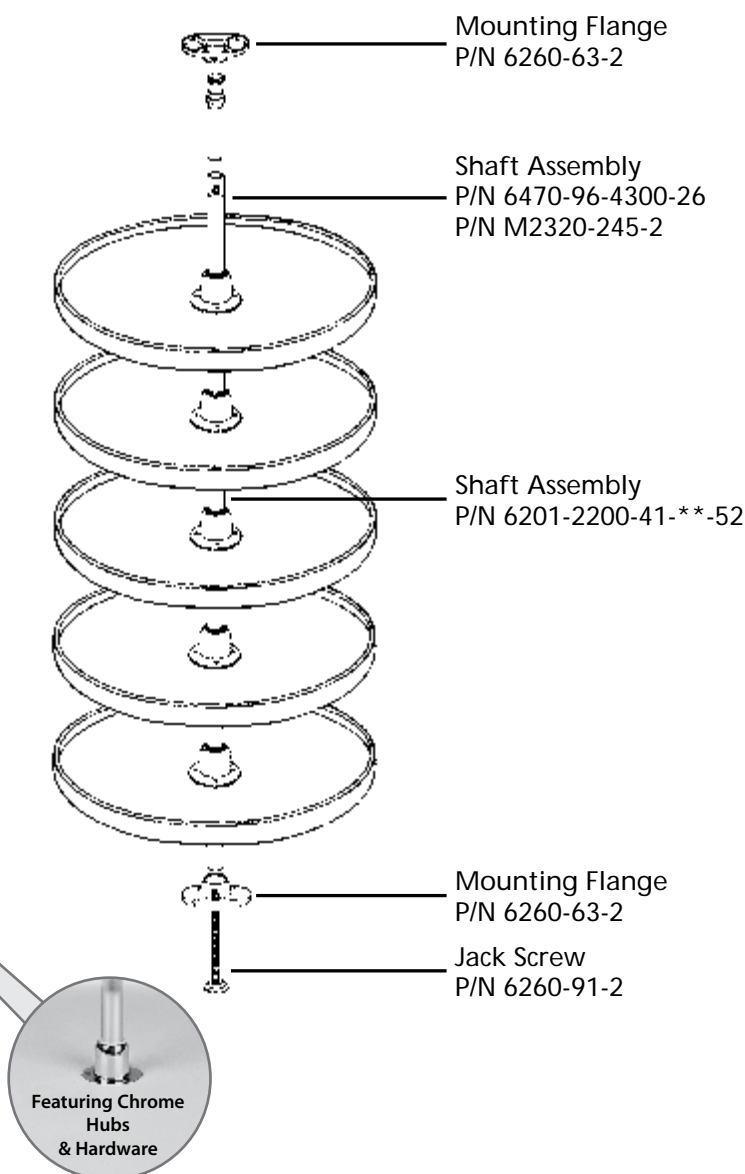
NOTES: 1" (26 mm) diameter shaft system **Product available in two colors: 11 White & 15 Almond

Door Storage Trays: When ordering you must purchase the standards and the trays to complete the set.

6065 SERIES

PANTRY CABINET SHELVES

These pantry sets include 5 polymer full circle shelves with an independent rotating system. The full circle shelves are available in 16" and 18" diameters and can also be special ordered in 20", 24", 28", and 32" diameters to fit any cabinet application. Available in either white or almond color.



Featuring Chrome Hubs & Hardware

5 Shelf Full Circle Pantry Sets and Hardware, Independent Rotating

Individual Pack

6065-16-**-52	5 Shelf Full-Circle Set	16" (410 mm) Diameter	Polymer	1	24 lbs.	\$328.45
6065-18-**-52	5 Shelf Full-Circle Set	18" (457 mm) Diameter	Polymer	1	29 lbs.	\$359.30
6232-58-4528-52	Pair Standards & 10 Clips	58" (1473 mm) L	Bright Aluminum	1 pr.	1.6 lbs.	\$56.85
6235-08-**-52	5 Door Storage Trays	7 7/8" (181 mm)W x 4 1/4" (110 mm)D x 3 3/8" (95 mm)H"	Polymer	1	2.6 lbs.	\$54.65
6235-14-**-52	5 Door Storage Trays	13 3/4" (350 mm)W x 4 1/4" (110 mm)D x 3 3/8" (95 mm)H"	Polymer	1	2.6 lbs.	\$59.30

6065 SERIES CONTAINS:

6065 Five (5) shelves, (4) collar assemblies, telescoping shaft 9 1/4" (235 mm) upper & 5 1/2" (1334 mm) lower assembly to accommodate 56"-62" (1423-1575 mm) Inner Cabinet Height and mounting hardware.

NOTES:

Also available by special order (6065): 20" (508 mm) - 24" (610 mm) - 28" (711 mm) - 32" (813 mm) Full Circle Shelves in multiple shelf sets. 1" (26 mm) diameter shaft system. Door storage trays sold separately.

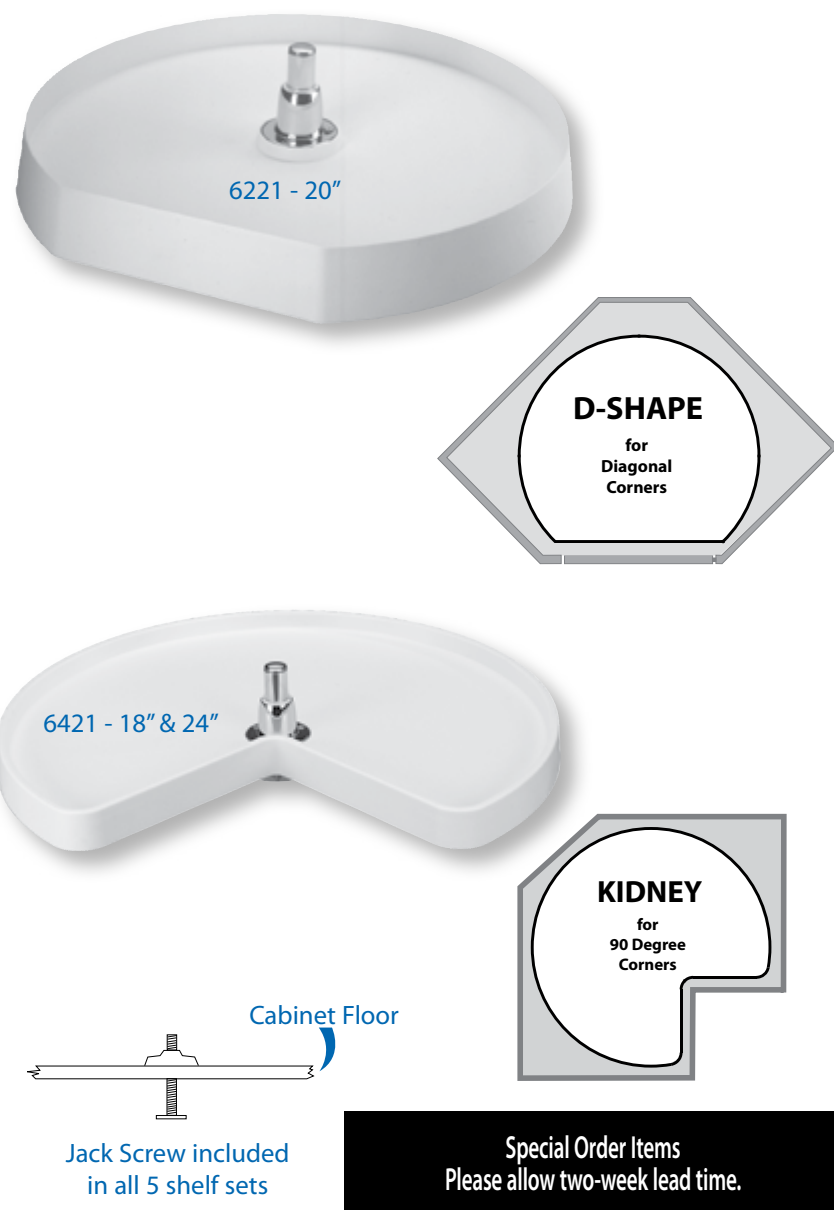
Door Storage Trays: When ordering you must purchase the standards, and the trays to complete the set.

** Product available in two colors: 11 White & 15 Almond

POLYMER

WALK-IN PANTRY CABINET LAZY SUSANS

These pantry sets include 5 polymer shelves with an independent rotating system. The shelves are available in 18", 20" or 24" diameters. Available in white or almond color.



PRODUCT #s	DESCRIPTION	PRODUCT DIMENSIONS	FINISH	SET PER CARTON	WEIGHT PER CARTON	SUGGESTED LIST PRICE
5 Shelf Pantry Sets and Rotating Hardware, Shaft Sold Separately				Individual Pack		
6265-20-**-50	5 Shelf D-Shape Set (no post)	20" (508 mm) Diameter	Polymer Trays	1	20 lbs.	\$295.95
6465-18-**-50	5 Shelf Kidney Shape Set (no post)	18" (457 mm) Diameter	Polymer Trays	1	22 lbs.	\$286.50
6465-24-**-50	5 Shelf Kidney Shape Set (no post)	24" (610 mm) Diameter	Polymer Trays	1	24 lbs.	\$315.10
Shaft				Individual Pack		
6370-96-7008-26-52	70½" Shaft with bushing	70½" (1791 mm) Length	Chrome	1	12 lbs.	\$61.65
Single Shelf Pantry Sets, Post Included				Individual Pack		
6221-20-**-52	Single Shelf D-Shape Tray	20" (508 mm) Diameter	Polymer Trays	1	5 lbs.	\$50.15
6421-18-**-52	Single Shelf Kidney Shape Tray	18" (457 mm) Diameter	Polymer Trays	1	5 lbs.	\$50.30
6421-24-**-52	Single Shelf Kidney Shape Tray	24" (610 mm) Diameter	Polymer Trays	1	6 lbs.	\$53.65

CONTAINS: (5) shelves, w/ (5) positioning base assemblies, mounting flange and jack screw. (Lower Shaft Sold Separately) - Includes Upper Shaft
NOTES: 1" (26 mm) diameter shaft system **Product available in two colors: 11 White & 15 Almond.

WOOD

WALK-IN PANTRY CABINET LAZY SUSANS

These pantry sets include 5 wood shelves with an independent rotating system. The shelves are available in 20" or 24" diameters.



Special Order Items
Please allow two-week lead time.



PRODUCT #s	DESCRIPTION	PRODUCT DIMENSIONS	FINISH	SET PER CARTON	WEIGHT PER CARTON	SUGGESTED LIST PRICE
5 Shelf Pantry Sets and Rotating Hardware, Shaft Sold Separately				Individual Pack		
4265-20-50	5 Shelf D-Shape Set (no post)	20" (508 mm) Diameter	Wood	1	35 lbs.	\$575.80
4465-24-50	5 Shelf Kidney Shape Set (no post)	24" (609 mm) Diameter	Wood	1	37 lbs.	\$666.00
Shaft				Individual Pack		
6370-96-7008-26-52	70½" Shaft with bushing	70½" (1791 mm) Length	Chrome	1	12 lbs.	\$61.65
Single Shelf Pantry Sets, Post Included				Individual Pack		
4WLS221-20-52	Single Shelf D-Shape Set	20" (508 mm) Diameter	Wood	1	8 lbs.	\$104.70
4WLS421-24-52	Single Shelf Kidney Shape Set	24" (609 mm) Diameter	Wood	1	10 lbs.	\$134.10

CONTAINS: (5) shelves, w/ (5) positioning base assemblies, mounting flange and jack screw. (Lower Shaft Sold Separately) - Includes Upper Shaft
NOTES: 1" (26 mm) diameter shaft system

REV-A-SHELF[®]



800.626.1126 • rev-a-shelf.com

multidecor

Multidecor S. de R.L. de C.V.

Cuadrante de San Francisco Núm. 14-1

Col. Cuadrante de San Francisco. C.P. 04320, México D.F.

info@multidecor.com.mx (55) 5554 5858 / (55) 5544 3737

www.multidecor.com.mx