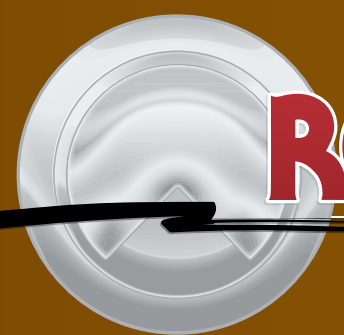




**multidecor**  
Multidecor S. de R.L. de C.V.  
Cuadrante de San Francisco Núm. 14-1  
Col. Cuadrante de San Francisco.  
C.P. 04320, México D.F.  
(55) 5554 5858 / (55) 5544 3737  
info@multidecor.com.mx  
www.multidecor.com.mx



**REV-A-SHELF**

**DRAWER  
ACCESSORIES**

Create a clutter-free home with the inventive selection of Drawer Accessories from Rev-A-Shelf. Organizing is simple with great products like our Cutlery Trays, Utensil Trays, Universal Spice Racks, Bread Drawers, and Entertainment Storage Rails. We've even found a way to expand the space in your drawer with our unique Rolling Tray Systems for Cutlery and Cosmetics. From the kitchen to the bathroom, Rev-A-Shelf Drawer Accessories furnish unlimited storage solutions for every room in your home.

## 4DPS SERIES

## DRAWER PEG SYSTEM

With our endlessly changeable pegboard system you can create instant storage for organizing all kinds of items, from dinner plates to plastic containers with dividers for your drawers. The 4DPS can be trimmed to size and is available in three sizes to fit cabinets from 36", 39" and 42" (4DPS-3921), 30" and 33" cabinets (4DPS-3021) and 27" and smaller (4DPS-2421). The width is maximized to fit the largest cabinet drawers with under mount slides, is constructed from maple that is UV-Cured and the system includes matching, press-in pegs. For more accessories see next spread.



PRODUCT #s	DESCRIPTION	PRODUCT DIMENSIONS	FINISH	SET PER CARTON	WEIGHT PER CARTON	SUGGESTED LIST PRICE
<b>Drawer Peg System with Wood Pegs</b>						<b>Individual Pack</b>
4DPS-2421	Small Drawer Peg System (9 Pegs)	24 1/4" (616 mm)W x 21 1/4" (540 mm)D x 6 5/8" (168 mm)H	Wood	1	9 lbs.	\$65.55
4DPS-3021	Medium Drawer Peg System (12 Pegs)	30 1/4" (769 mm)W x 21 1/4" (540 mm)D x 6 5/8" (168 mm)H	Wood	1	11 lbs.	\$79.75
4DPS-3921	Large Drawer Peg System (16 Pegs)	39 1/4" (997 mm)W x 21 1/4" (540 mm)D x 6 5/8" (168 mm)H	Wood	1	14 lbs.	\$102.95
<b>Drawer Peg Board Only (No Pegs)</b>						<b>Individual Pack</b>
4DPB-2421	Small Drawer Peg Board	24 1/4" (616 mm)W x 21 1/4" (540 mm)D x 5/8" (16 mm)H	Wood	1	8 lbs.	\$54.80
4DPB-3021	Medium Drawer Peg Board	30 1/4" (769 mm)W x 21 1/4" (540 mm)D x 5/8" (16 mm)H	Wood	1	9 lbs.	\$65.55
4DPB-3921	Large Drawer Peg Board	39 1/4" (997 mm)W x 21 1/4" (540 mm)D x 5/8" (16 mm)H	Wood	1	10 lbs.	\$83.80

NOTES: Trim-To-Fit  
CONTAINS: Drawer Peg System includes press-in pegs (Small 9, Medium 12, Large 16)

## 4DPBG SERIES

## VINYL DRAWER PEG BOARD

Organize your deep drawers with our new Vinyl Peg Board. The board has a sound dampening vinyl covering that is easy to maintain and works with either our wood pegs or new chrome accessories (purchased separately). Available in three standard sizes (4DPBG-2421 fits 27" and smaller cabinets, 4DPBG-3021 fits 30" and 33" cabinets, and the 4DPBG-3921 fits 36", 39", and 42" cabinets) each size can be trimmed to fit and with the easy drop-in installation you can take your drawer from drab and messy to chic and orderly within seconds.



PRODUCT #s	DESCRIPTION	PRODUCT DIMENSIONS	FINISH	SET PER CARTON	WEIGHT PER CARTON	SUGGESTED LIST PRICE
<b>Vinyl Drawer Peg Board Only (No Pegs)</b>						<b>Individual Pack</b>
4DPBG-2421-1	Vinyl Drawer Peg Board	24 1/4" (613 mm)W x 21 1/4" (540 mm)D x 5/8" (16 mm)H	Wood/Vinyl	1	8 lbs.	\$60.45
4DPBG-3021-1	Vinyl Drawer Peg Board	30 1/4" (766 mm)W x 21 1/4" (540 mm)D x 5/8" (16 mm)H	Wood/Vinyl	1	9 lbs.	\$74.95
4DPBG-3921-1	Vinyl Drawer Peg Board	39 1/4" (994 mm)W x 21 1/4" (540 mm)D x 5/8" (16 mm)H	Wood/Vinyl	1	10 lbs.	\$93.65

NOTES: Trim-To-Fit  
CONTAINS: Peg Board Only

DRAWER ACCESSORIES



DRAWER ACCESSORIES



## PEG BOARD ACCESSORIES

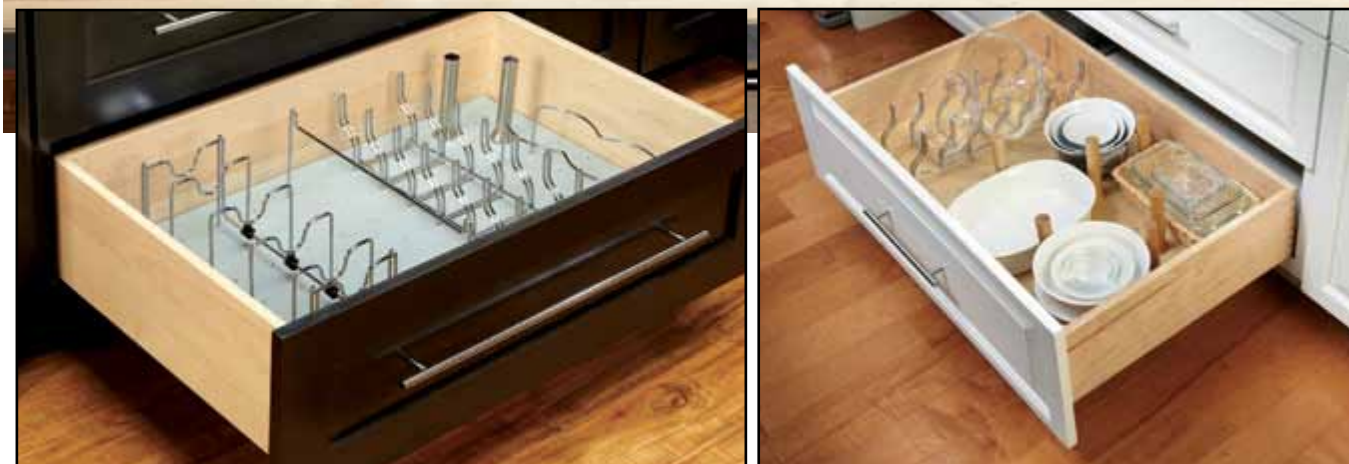
### DPS-PEG-4SS



5DCD-1-CR

5DLD-1-CR

5DCH-2-1-CR



### 4DPS-PEG-4 (WOOD PEGS)

Customize your peg board with our press-in wood pegs. Sold in a sets of four, they can be used with either our 4DPS or 4DPBG peg boards and feature a lovely maple finish ideal for any kitchen décor.

PRODUCT #s	DESCRIPTION	DIMENSIONS	FINISH	SET PER CARTON	WEIGHT PER CARTON	SUGGESTED LIST PRICE
<b>Wood Pegs</b>						
4DPS-PEG-4	Wood Pegs	1¼" (32 mm)W x 1¼" (32 mm)D x 6" (153 mm)H	Wood	4	.5 lb.	\$6.40 ea.

## PEG BOARD ACCESSORIES



### DPS-PEG-4SS (STAINLESS STEEL PEGS)

Create customized storage with our stylish stainless steel pegs. Designed for use with our 4DPS or 4DPBG peg boards, you get a set of four beautiful pegs that match any décor and with easy press-in installation the uses are as endless. You can use the pegs alone or in combination with our other peg board accessories to organize and store various kitchen items such as dinnerware, bakeware, mixing bowls, and more.

PRODUCT #s	DESCRIPTION	DIMENSIONS	FINISH	SET PER CARTON	WEIGHT PER CARTON	SUGGESTED LIST PRICE
<b>Stainless Steel Pegs</b>						
DPS-PEG-4SS	Stainless Steel Pegs	1¼" (32 mm)W x 1¼" (32 mm)D x 6" (153 mm)H	Stainless	4	1.5 lbs.	\$12.45



### 5DCH-2-1-CR (CANISTER SET)

Clean off your counter space by using our canister holder for deep drawers. This easy to install press-in system works with both our 4DPS and 4DPBG peg boards, has a stylish chrome finish, and comes complete with two 55 oz. stainless steel storage containers with durable see-thru plastic lids for easy content reference.

PRODUCT #s	DESCRIPTION	DIMENSIONS	FINISH	SET PER CARTON	WEIGHT PER CARTON	SUGGESTED LIST PRICE
<b>Stainless Steel Container Set</b>						
5DCH-2-1-CR	Stainless Steel Container Set	6½" (165 mm)W x 10¼" (261 mm)D x 6½" (165 mm)H	Stainless	1	2.5 lbs.	\$54.40



### 5DLD-1-CR (LID ORGANIZER)

Organization is one thing every good chef has in common and now you can too with the use of our chrome lid organizer for deep drawers. Designed to work with our 4DPS and 4DPBG peg boards this easy, press-in rack keeps up to six lids organized, in reach, and when used in combination with our 5DCD-1-CR pot and pan holder you have a complete cooking station at your fingertips.

PRODUCT #s	DESCRIPTION	DIMENSIONS	FINISH	SET PER CARTON	WEIGHT PER CARTON	SUGGESTED LIST PRICE
<b>Lid Organizer</b>						
5DLD-1-CR	Lid Organizer	5¼" (134 mm)W x 16¾" (429 mm)D x 5¾" (137 mm)H	Chrome	1	2.5 lbs.	\$21.75



### 5DCD-1-CR (POT/PAN ORGANIZER)

We have the solution to your culinary clutter with our pot and pan rack for deep drawers. This beautiful chrome rack features a design that provides complete adjustability enabling you to keep multiple sizes of cookware neat and organized. Created to use in combination with our 5DLD-1-CR lid organizer the rack holds up to five pots and pans, features a trimmable handle rest, and the easy press-in installation works perfectly with either of our 4DPS and 4DPBG peg boards.

PRODUCT #s	DESCRIPTION	DIMENSIONS	FINISH	SET PER CARTON	WEIGHT PER CARTON	SUGGESTED LIST PRICE
<b>Pot/Pan Organizer</b>						
5DCD-1-CR	Pot/Pan Organizer	7¾" (197 mm)W x 15¼" (388 mm)D x 7¾" (194 mm)H	Chrome	1	2.25 lbs.	\$27.85

## 4WTCD SERIES

## TWO-TIERED CUTLERY DRAWER

Soft-close and more drawer space...who could ask for more? Now you can get both with our tiered soft-close cutlery drawers for 15", 18", 21" and 24" base cabinets. The unique design provides two tiers for double the storage capacity and the pre-assembled drawer box glides quietly on the included Blumotion soft close under mount slides allowing for easy installation with only the addition of your existing drawer front. We also offer a version without slides if you prefer to supply your own.



DRAWER ACCESSORIES

REV-A-SHELF  
Wood Classics™

## 4WTCD SERIES

## TWO-TIERED CUTLERY DRAWER



4WTCD-15

4WTCD-18

4WTCD-21

4WTCD-24

### Minimum Cabinet Openings

PART	WIDTH	HEIGHT
4WTCD-15	12"	4½"
4WTCD-18	15"	4½"
4WTCD-21	18"	4½"
4WTCD-24	21"	4½"

**NOW YOU HAVE THE CHOICE!**  
AVAILABLE WITH BLUM®  
CONCEALED RUNNERS...  
OR PROVIDE YOUR OWN!

Designed to be used with Blumotion 562F533 or Grass Elite 7523-19/550/533 under mount slides.



Designed for typical 1½" Face Frame Construction Only.

FEATURING **blum**®  
concealed runners with BLUMOTION soft close

PRODUCT #s	DESCRIPTION	PRODUCT DIMENSIONS	FINISH	SET PER CARTON	WEIGHT PER CARTON	SUGGESTED LIST PRICE
<b>Soft-Close Tiered Double Cutlery Drawer</b>						
						<b>Individual Pack</b>
4WTCD-15SC-1	Tiered Double Cutlery Drawer For 15" Cabinet	11½" (292 mm)W x 21" (534 mm)D x 4¼" (108 mm)H	Wood	1	10 lbs.	\$195.60
4WTCD-18SC-1	Tiered Double Cutlery Drawer For 18" Cabinet	14½" (368 mm)W x 21" (534 mm)D x 4¼" (108 mm)H	Wood	1	12 lbs.	\$208.20
4WTCD-21SC-1	Tiered Double Cutlery Drawer For 21" Cabinet	17½" (445 mm)W x 21" (534 mm)D x 4¼" (108 mm)H	Wood	1	14 lbs.	\$221.00
4WTCD-24SC-1	Tiered Double Cutlery Drawer For 24" Cabinet	20½" (521 mm)W x 21" (534 mm)D x 4¼" (108 mm)H	Wood	1	16 lbs.	\$223.75
						<b>Individual Pack</b>
<b>Tiered Double Cutlery Drawer</b>						
4WTCD-15-1	Tiered Double Cutlery Drawer For 15" Cabinet	11½" (292 mm)W x 21" (534 mm)D x 3¾" (95 mm)H	Wood	1	10 lbs.	\$146.30
4WTCD-18-1	Tiered Double Cutlery Drawer For 18" Cabinet	14½" (368 mm)W x 21" (534 mm)D x 3¾" (95 mm)H	Wood	1	12 lbs.	\$176.20
4WTCD-21-1	Tiered Double Cutlery Drawer For 21" Cabinet	17½" (445 mm)W x 21" (534 mm)D x 3¾" (95 mm)H	Wood	1	14 lbs.	\$194.15
4WTCD-24-1	Tiered Double Cutlery Drawer For 24" Cabinet	20½" (521 mm)W x 21" (534 mm)D x 3¾" (95 mm)H	Wood	1	16 lbs.	\$206.05

DRAWER ACCESSORIES

## 4KCB SERIES

## COMBINATION KNIFE HOLDER/CUTTING BOARD

This state-of-the-art combination knife holder/cutting board system glides on full-extension ball bearing slides and is designed for Base 18", 21" and 24" cabinets. The 4KCB Series features a removable mineral oil treated cutting board and three divided sections including a unique seven-slot knife holder compartment. Simply attach the drawer front to the 4KCB for a convenient and user-friendly organizer.

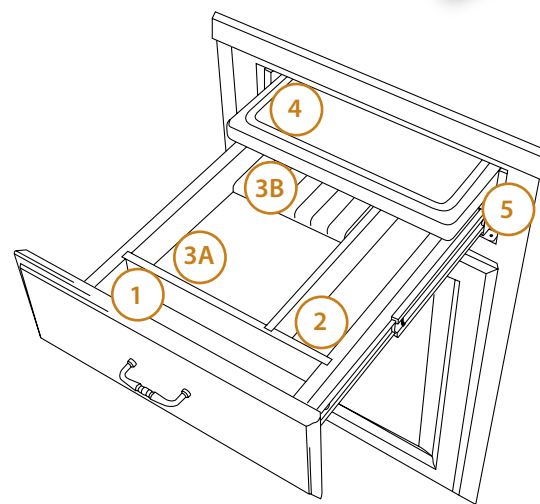


### No drawer box needed!

The 4KCB arrives as a complete set so all you need to add is a drawer front.



Adjustable rear mounting bracket attaches to the rear of your cabinet.



	Base 18	Base 21	Base 24
1. Front Storage	11"W x 2"D x 2"H 280 mm x 73 mm x 54 mm	16"W x 2"D x 2"H 413 mm x 73 mm x 54 mm	19"W x 2"D x 2"H 489 mm x 73 mm x 54 mm
2. Side Storage	2 1/2"W x 1 1/2"D x 2"H 72 mm x 418 mm x 54 mm One Slot	2 1/2"W x 1 1/2"D x 2"H 70 mm x 418 mm x 54 mm Two Slots	2 1/2"W x 1 1/2"D x 2"H 70 mm x 418 mm x 54 mm Three Slots
3a. Knife Storage Area	7 3/4"W x 1 1/2"D x 2"H 199 mm x 418 mm x 54 mm	7 3/4"W x 1 1/2"D x 2"H 199 mm x 418 mm x 54 mm	7 3/4"W x 1 1/2"D x 2"H 199 mm x 418 mm x 54 mm
3b. Knife Holder	7 3/4"W x 9"D x 1 1/2"H 197 mm x 229 mm x 19 mm	7 3/4"W x 9"D x 1 1/2"H 197 mm x 229 mm x 19 mm	7 3/4"W x 9"D x 1 1/2"H 197 mm x 229 mm x 19 mm
4. Cutting Board	13 1/2"W x 20"L x 3/4"H 350 mm x 508 mm x 32 mm	16"W x 20"L x 3/4"H 413 mm x 508 mm x 32 mm	19"W x 20"L x 3/4"H 489 mm x 508 mm x 32 mm
5. Support Frame (Min. Overall PRODUCT DIMENSIONS)	14 1/2"W x 22 1/4"D x 5"H 368 mm x 566 mm x 127 mm	17 1/2"W x 22 1/4"D x 5"H 445 mm x 566 mm x 127 mm	20 1/2"W x 22 1/4"D x 5"H 521 mm x 566 mm x 127 mm

PRODUCT #s	DESCRIPTION	PRODUCT DIMENSIONS	FINISH	SET PER CARTON	WEIGHT PER CARTON	SUGGESTED LIST PRICE
<b>Knife Holder and Cutting Board</b>						
<b>Individual Pack</b>						
4KCB-18	Knife Holder and Cutting Board Drawer System	14 1/2" (368 mm)W x 22 1/4" (566 mm)D x 5" (127 mm)H	Wood	1	25 lbs.	\$200.25
4KCB-21	Knife Holder and Cutting Board Drawer System	17 1/2" (445 mm)W x 22 1/4" (566 mm)D x 5" (127 mm)H	Wood	1	28 lbs.	\$220.10
4KCB-24	Knife Holder and Cutting Board Drawer System	20 1/2" (520 mm)W x 22 1/4" (566 mm)D x 5" (127 mm)H	Wood	1	31 lbs.	\$235.90

### CONTAINS:

Knife Rest, Cutting Board, Full-Extension Slides, Mounting Hardware and Screws. *Knives Not Included*

### NOTE:

Adjustable depth, designed for 24" (588 mm)D cabinets (Base 18", 21" & 24" drawers.) Minimum Opening Height = 4 1/2"

## 4WT\*\* SERIES

## SOFT-CLOSE TIERED ACCESSORY DRAWER

A place for everything and every in its place is exactly what you get with our tiered accessory drawers. The design provides two tiers of storage and comes complete with high quality accessories based on your needs - bar, utensil or knife needs. They come complete with Blumotion under mount soft-close runners and the pre-assembled drawer boxes allow for easy installation with the addition of your existing drawer front.



### Minimum Cabinet Openings

PART	WIDTH	HEIGHT
4WT**-15	12"	4 1/2"
4WT**-18	15"	4 1/2"
4WT**-21	18"	4 1/2"
4WT**-24	21"	4 1/2"

Available September 2012



Replacement parts will also be available. Contact customer service for more information.

PRODUCT #s	DESCRIPTION	PRODUCT DIMENSIONS	FINISH	SET PER CARTON	WEIGHT PER CARTON	SUGGESTED LIST PRICE
<b>4WT Series Cutlery Drawer</b>						
<b>Individual Pack</b>						
4WTBD-15-SC-1	Casetti Cutlery for 15" Cabinet w/Bar Accessories	11 1/2" (292 mm)W x 21" (534 mm)D x 4 3/8" (111 mm)H	Wood	1	10 lbs.	\$327.25
4WTUD-18-SC-1	Casetti Cutlery for 18" Cabinet w/Utensils	14 1/2" (368 mm)W x 21" (534 mm)D x 4 3/8" (111 mm)H	Wood	1	12 lbs.	\$628.30
4WTKD-18-SC-1	Casetti Cutlery for 18" Cabinet w/Knives	14 1/2" (368 mm)W x 21" (534 mm)D x 4 3/8" (111 mm)H	Wood	1	12 lbs.	\$510.55
4WTUD-24-SC-1	Casetti Cutlery for 24" Cabinet w/Utensils	20 1/2" (521 mm)W x 21" (534 mm)D x 4 3/8" (111 mm)H	Wood	1	16 lbs.	\$709.65
4WTKD-24-SC-1	Casetti Cutlery for 24" Cabinet w/Knives	20 1/2" (521 mm)W x 21" (534 mm)D x 4 3/8" (111 mm)H	Wood	1	16 lbs.	\$482.70

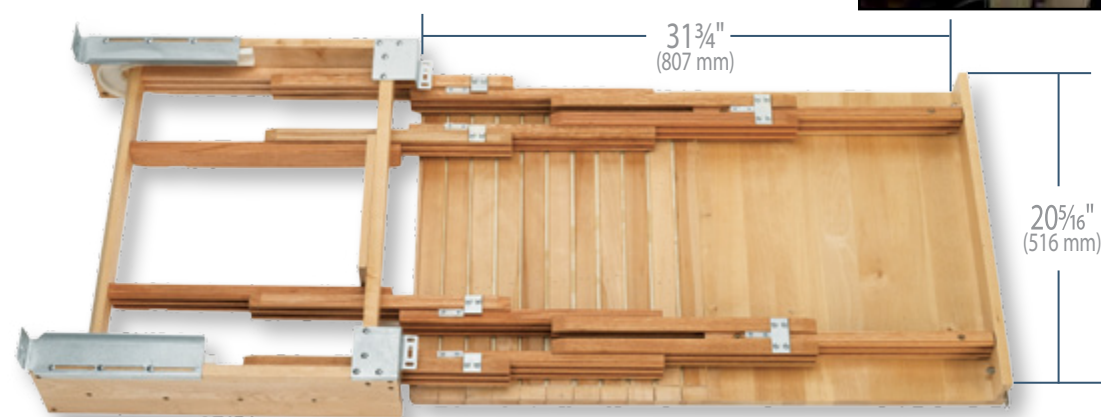
## 4TT SERIES

## WOOD TAMBOUR TABLE

Add 31 $\frac{3}{4}$ " counter space to your kitchen with our tambour table designed for 24 drawers. The 4TT uses mechanical slide advancement that features stop locks to extend and retract instead of using a string and is drawer mountable using our patented (7,204,569) AMB brackets. Constructed of solid wood it requires a 20 $\frac{1}{2}$ " wide x 4 $\frac{1}{4}$ " high cabinet opening and is CARB II compliant



250 lb static load (evenly distributed), 70 lb dynamic load!



AMB Door Mount Bracket for 5" of adjustment!

Just add your drawer front!

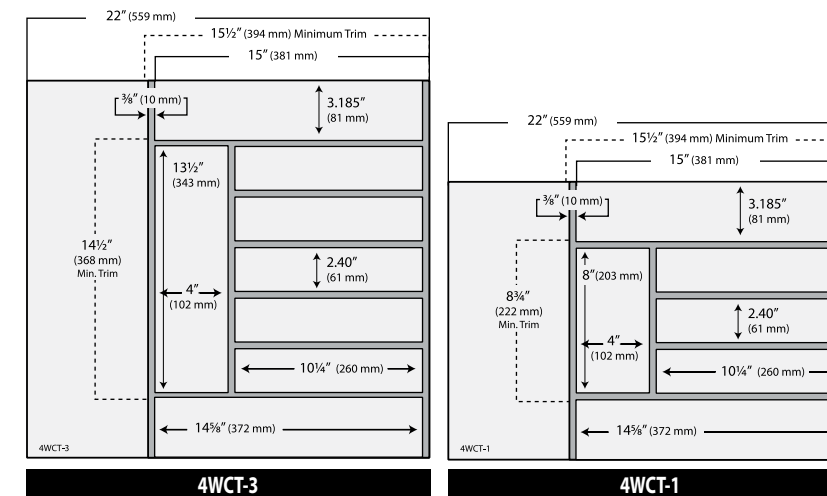
**MINIMUM OPENING:** 20 $\frac{1}{2}$ " (521 mm)W x 19 $\frac{5}{16}$ " (491 mm)D x 4 $\frac{1}{4}$ " (108 mm)H

PRODUCT #s	DESCRIPTION	PRODUCT DIMENSIONS	FINISH	SET PER CARTON	WEIGHT PER CARTON	SUGGESTED LIST PRICE
<b>Wood Tambour Table</b>						
4TT-2133-1	Tambour Table	22" (559 mm)W x 19 $\frac{5}{16}$ "-24" (491-610mm)D x 4 $\frac{1}{4}$ " (121 mm)H	Wood	1	14 lbs.	\$332.20

## 4WCT SERIES

## WOOD CUTLERY TRAY INSERT

Organize kitchen drawers with Rev-A-Shelf's Wood Cutlery Tray Insert. The 4WCT Series is made of our classic maple hardwood with a UV-cured clear finish to ensure an acceptable match to any kitchen cabinet. This modern day clutter solution requires a simple drop-in installation with two sizes that may be trimmed to fit various drawer sizes.

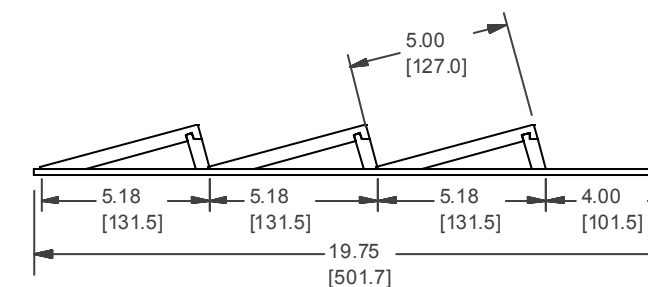


PRODUCT #s	DESCRIPTION	PRODUCT DIMENSIONS	MIN. TRIM	FINISH	SET PER CARTON	WEIGHT PER CARTON	SUGGESTED LIST PRICE
<b>Wood Cutlery Tray</b>							<b>Individual Pack</b>
4WCT-15H	Trimnable Cutlery Tray	14 $\frac{3}{8}$ " (371 mm)W x 22" (559 mm)D x 2 $\frac{3}{8}$ " (60 mm)H	8 $\frac{3}{4}$ " (222 mm)W x 15 $\frac{1}{2}$ " (394 mm)D	Wood	1	6 lbs.	\$46.55
4WCT-35H	Trimnable Cutlery Tray	20 $\frac{3}{8}$ " (524 mm)W x 22" (559 mm)D x 2 $\frac{3}{8}$ " (60 mm)H	14 $\frac{1}{4}$ " (362 mm)W x 15 $\frac{1}{2}$ " (394 mm)D	Wood	1	8 lbs.	\$61.05
4WCT-1	Trimnable Cutlery Tray	14 $\frac{3}{8}$ " (371 mm)W x 22" (559 mm)D x 2 $\frac{3}{8}$ " (73 mm)H	8 $\frac{3}{4}$ " (222 mm)W x 15 $\frac{1}{2}$ " (394 mm)D	Wood	1	6 lbs.	\$47.25
4WCT-3	Trimnable Cutlery Tray	20 $\frac{3}{8}$ " (524 mm)W x 22" (559 mm)D x 2 $\frac{3}{8}$ " (73 mm)H	14 $\frac{1}{4}$ " (362 mm)W x 15 $\frac{1}{2}$ " (394 mm)D	Wood	1	8 lbs.	\$61.05

## 4SDI SERIES

## WOOD SPICE DRAWER INSERT

Keep spices conveniently stored in a drawer by the stove with Rev-A-Shelf's Wood Classic Spice Drawer Insert. With a tiered configuration for total organization and easy access, the maple hardwood spice drawer inserts are coated with a UV-Cured clear finish that ensures a suitable match to any cabinet. The 4SDI Series can be customized to fit various drawer sizes up to a Base 24".



4SDI-18 - Width is 16" (No Minimum Trim)  
4SDI-24 - Width is 22" (No Minimum Trim)

PRODUCT #s	DESCRIPTION	PRODUCT DIMENSIONS	FINISH	SET PER CARTON	WEIGHT PER CARTON	SUGGESTED LIST PRICE
<b>Wood Spice Tray</b>						
4SDI-18	Base 18 or smaller Spice Drawer Insert	16" (406 mm)W x 19 $\frac{3}{4}$ " (502 mm)D x 1 $\frac{1}{2}$ " (38 mm)H	Wood	1	5 lbs.	\$64.55
4SDI-24	Base 24 or smaller Spice Drawer Insert	22" (559 mm)W x 19 $\frac{3}{4}$ " (502 mm)D x 1 $\frac{1}{2}$ " (38 mm)H	Wood	1	8 lbs.	\$71.05

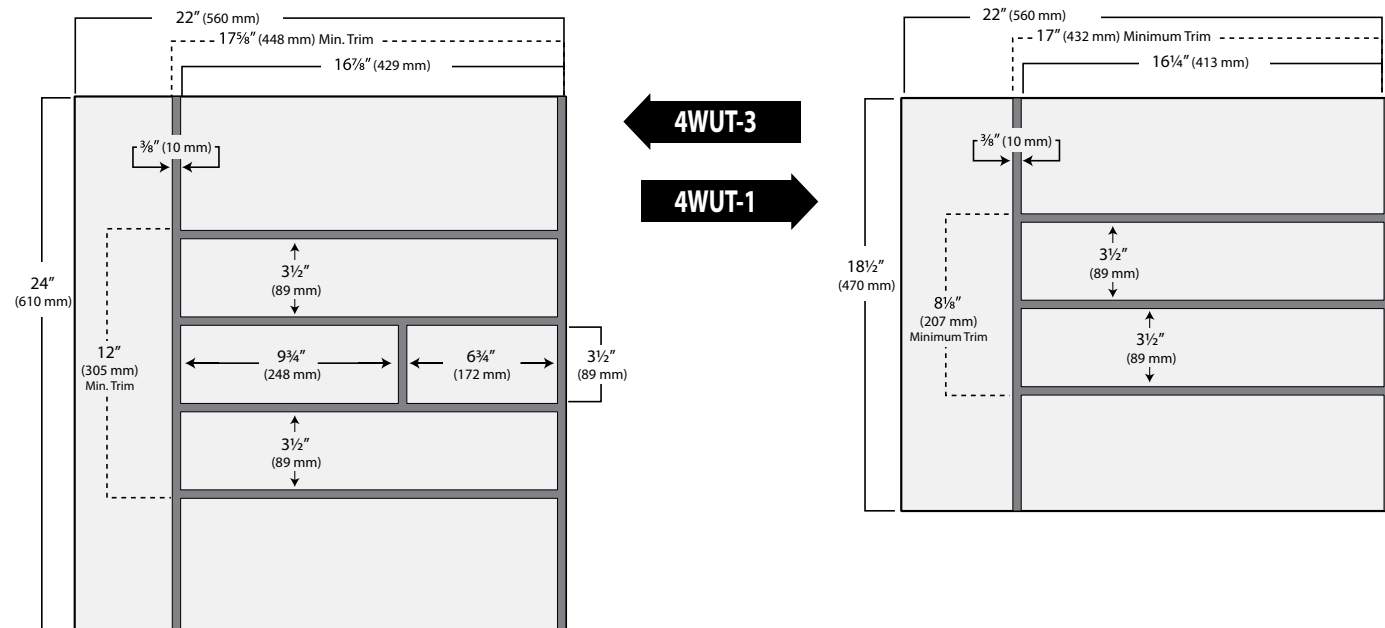
### CONTAINS:

Spice Drawer Insert that can be customized for various drawer sizes. Shown with 5" Spice Bottles. Min. Interior Height = 3 $\frac{1}{4}$ " for 5" bottles.

## 4WUT SERIES

## WOOD UTILITY TRAY INSERT

Organize kitchen drawers with Rev-A-Shelf's Wood Utility Tray Insert. The 4WUT Series is made of our classic maple hardwood with a UV-cured clear finish to ensure an acceptable match to any kitchen cabinet. This modern day clutter solution requires a simple drop-in installation with two sizes that may be trimmed to fit various drawer sizes.



PRODUCT #s	DESCRIPTION	PRODUCT DIMENSIONS	FINISH	SET PER CARTON	WEIGHT PER CARTON	SUGGESTED LIST PRICE
<b>Wood Utility Tray</b>						
<b>Individual Pack</b>						
4WUT-15H	Trimmable Utility Tray	18 1/2" (470 mm)W x 22" (559 mm)D x 2 3/8" (60 mm)H	Wood	1	8 lbs.	\$46.55
4WUT-35H	Trimmable Utility Tray	24" (610 mm)W x 22" (559 mm)D x 2 3/8" (60 mm)H	Wood	1	9 lbs.	\$61.05
4WUT-1	Trimmable Utility Tray	18 1/2" (470 mm)W x 22" (559 mm)D x 2 7/8" (73 mm)H	Wood	1	8 lbs.	\$47.25
4WUT-3	Trimmable Utility Tray	24" (610 mm)W x 22" (559 mm)D x 2 7/8" (73 mm)H	Wood	1	9 lbs.	\$62.20

CONTAINS: Utility Tray Insert that can be customized for various drawer sizes.

## 4WKB SERIES

## WOOD KNIFE BLOCK INSERT

Rev-A-Shelf's unique 4WKB-1 Knife Block Tray Insert is out of the box ready at 18 1/2" x 22" providing 19 slots to store knives and has a separate compartment for other utensils. The unique design provides more storage than a traditional Knife Block and with its simple drop-in installation valuable counter top space is available to use immediately. Made of our classic maple hardwood with a UV-cured clear finish to ensure an acceptable match to any kitchen cabinet and can be trimmed to fit drawers of various widths and lengths.



**COMBINE  
TWO  
REV-A-SHELF  
ORGANIZERS!  
WITH THE INCLUDED DIVIDER  
PAGE 136**

PRODUCT #s	DESCRIPTION	PRODUCT DIMENSIONS	FINISH	SET PER CARTON	WEIGHT PER CARTON	SUGGESTED LIST PRICE
<b>Wood Knife Block</b>						
<b>Individual Pack</b>						
4WKB-1	Trimmable Knife Block	18 1/2" (470 mm)W x 22" (559 mm)D x 2 3/8" (60 mm)H	Wood	1	12 lbs.	\$70.05

CONTAINS: Trimmable Knife Block that can be customized for various drawer sizes, wood divider.

## LD-4CT SERIES

## WOOD DRAWER ORGANIZER

Customize your drawer storage needs with these easy to assemble solid birch drawer inserts. Available in two sizes, the narrow for a base 12 features 18 clips and the wide for base 18 features 26 clips; each clip can be inserted in any of the multiple drilled holes and a divider added to create the drawer storage solution that can be changed over and over to accommodate your ever changing culinary needs.



PRODUCT #s	DESCRIPTION	PRODUCT DIMENSIONS	FINISH	SET PER CARTON	WEIGHT PER CARTON	SUGGESTED LIST PRICE
<b>Wood Drawer Organizer</b>						
<b>Individual Pack</b>						
LD-4CT15-1	Wood Drawer Organizer Kit 15	9 <sup>7</sup> / <sub>8</sub> " (251 mm)W x 19 <sup>1</sup> / <sub>8</sub> " (486 mm)D x 2 <sup>1</sup> / <sub>2</sub> " (64 mm)H	Wood	1	4 lbs.	\$42.05
LD-4CT21-1	Wood Drawer Organizer Kit 21	15 <sup>5</sup> / <sub>8</sub> " (391 mm)W x 19 <sup>1</sup> / <sub>8</sub> " (486 mm)D x 2 <sup>1</sup> / <sub>2</sub> " (64 mm)H	Wood	1	6 lbs.	\$61.75

## 4WD SERIES

## WOOD DIVIDER



Conquer and divide your cluttered drawers with the 4WD Series Wood Divider. The 4WD allows you to combine various drawer inserts for easy organization of both utensils and silverware in one convenient location. Designed for use with our 4WCT-\*SH, 4WUT-\*SH, 4WCT, 4WUT, 4WKB, and 4SDI Series inserts, the 4WD is available in two depths of 2<sup>3</sup>/<sub>8</sub>" and 2<sup>7</sup>/<sub>8</sub>" and is made of our classic maple hardwood with a UV-Cured clear finish to ensure an acceptable match to any of your kitchen cabinet and can be trimmed to fit drawers of various lengths.

## COMBINE TWO REV-A-SHELF ORGANIZERS!

**SHALLOW AND DEEP DIVIDERS SOLD SEPARATELY.**

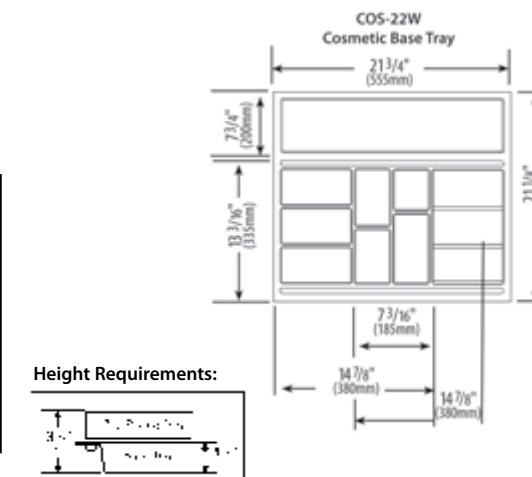
PRODUCT #s	DESCRIPTION	PRODUCT DIMENSIONS	FINISH	SET PER CARTON	WEIGHT PER CARTON	SUGGESTED LIST PRICE
<b>Wood Utility Tray</b>						
<b>Individual Pack</b>						
4WD-22SH-1	Shallow Wood Divider	1 <sup>1</sup> / <sub>2</sub> " (13 mm)W x 22" (559 mm)D x 2 <sup>3</sup> / <sub>8</sub> " (60 mm)H	Wood	1	2 lbs.	\$11.60
4WD-22-1	Wood Divider	1 <sup>1</sup> / <sub>2</sub> " (13 mm)W x 22" (559 mm)D x 2 <sup>7</sup> / <sub>8</sub> " (73 mm)H	Wood	1	2 lbs.	\$11.75

**CONTAINS:** Wood Divider that can be customized for various drawer sizes, for use with 4WUT, 4WKB, 4WCT, 4SDI series drawer organizers.

## COS/COSK SERIES

## VANITY DRAWER ORGANIZERS

Organize make-up in an orderly fashion with the Cosmetic Drawer Organizer. The COS/COSK SERIES is a single cut-to-size tray system that features an optional 6" or 9" rolling top tray for exceptional storage capacity. The rolling top tray glides side-to-side utilizing tracks molded into the base and is easily removable for cleaning or access to the tray below.



PRODUCT #s	DESCRIPTION	PRODUCT DIMENSIONS	FINISH	SET PER CARTON	WEIGHT PER CARTON	SUGGESTED LIST PRICE
<b>Cosmetic Organizer Plus Kit</b>						
<b>Individual Pack</b>						
COSK-18	Base Cosmetic Tray with 6" Top Rolling Tray	14 <sup>3</sup> / <sub>4</sub> " (375 mm)W x 21 <sup>7</sup> / <sub>8</sub> " (556 mm)D x 3 <sup>3</sup> / <sub>8</sub> " (85 mm)H	Polymer	1	3 lbs.	\$50.60
COSK-22	Base Cosmetic Tray with 6" & 9" Top Rolling Trays	21 <sup>3</sup> / <sub>4</sub> " (553 mm)W x 21 <sup>7</sup> / <sub>8</sub> " (537 mm)D x 3 <sup>3</sup> / <sub>8</sub> " (85 mm)H	Polymer	1	4 lbs.	\$60.60
<b>Cosmetic Organizer Base Tray</b>						
<b>Individual Pack</b>						
COS-18W-52	Base Tray	14 <sup>3</sup> / <sub>4</sub> " (375 mm)W x 21 <sup>7</sup> / <sub>8</sub> " (556 mm)D x 1 <sup>7</sup> / <sub>8</sub> " (48 mm)H	Polymer	1	2 lbs.	\$28.85
COS-22W-52	Base Tray	21 <sup>3</sup> / <sub>4</sub> " (553 mm)W x 21 <sup>7</sup> / <sub>8</sub> " (537 mm)D x 1 <sup>7</sup> / <sub>8</sub> " (48 mm)H	Polymer	1	4 lbs.	\$30.90

**NOTES:** COS-18W Cosmetic Base Tray Minimum Trim 12<sup>1</sup>/<sub>2</sub>" (321 mm)W x 16<sup>1</sup>/<sub>2</sub>" (419 mm)D. Cosmetic tray available in glossy white finish only.

COSK-18/22	6" Top Rolling Tray Dimensions	5 <sup>7</sup> / <sub>8</sub> " (150 mm)W x 12 <sup>3</sup> / <sub>8</sub> " (325 mm)D x 1 <sup>1</sup> / <sub>2</sub> " (35 mm)H
COSK-22	9" Top Rolling Tray Dimensions	8 <sup>3</sup> / <sub>4</sub> " (225 mm)W x 12 <sup>3</sup> / <sub>8</sub> " (325 mm)D x 1 <sup>1</sup> / <sub>2</sub> " (35 mm)H

## 370 SERIES

## ENTERTAINMENT CENTER ORGANIZERS

Arrange Blue-Rays, DVD's, VHS tapes, CD's, Video Games and more with Rev-A-Shelf's flexible storage rails. The 370 Series is made of durable black polystyrene that affixes to any drawer bottom or shelf surface. Storage rails are available in a 10 pair pack or 100 pair bulk pack.



PRODUCT #s	DESCRIPTION	PRODUCT DIMENSIONS	FINISH	STORAGE CAPACITY	SET PER CARTON	WEIGHT PER CARTON	SUGGESTED LIST PRICE
<b>Rails for Audio &amp; Video Cassettes</b>							
<b>10 Pack</b>							
370-ACN-10	Storage Rails/Cassettes & DVD	1 <sup>1</sup> / <sub>2</sub> " (38 mm)W x 12 <sup>1</sup> / <sub>2</sub> " (318 mm)D x 1 <sup>1</sup> / <sub>2</sub> " (40 mm)H	Polymer	16	10 pair	2 lbs.	\$3.50 pr.
371-VCR-10	Storage Rails/VCR Tapes	1 <sup>1</sup> / <sub>2</sub> " (38 mm)W x 12 <sup>1</sup> / <sub>2</sub> " (318 mm)D x 1 <sup>1</sup> / <sub>2</sub> " (40 mm)H	Polymer	10	10 pair	2 lbs.	\$3.50 pr.
372-CD-10	Storage Rails/Compact Disc	1 <sup>1</sup> / <sub>2</sub> " (38 mm)W x 12 <sup>1</sup> / <sub>2</sub> " (318 mm)D x 1 <sup>1</sup> / <sub>2</sub> " (40 mm)H	Polymer	24	10 pair	3 lbs.	\$3.50 pr.
<b>Rails for Audio &amp; Video Cassettes</b>							
<b>100 Pairs</b>							
370-ACN-B	Storage Rails/Cassettes & DVD	1 <sup>1</sup> / <sub>2</sub> " (38 mm)W x 12 <sup>1</sup> / <sub>2</sub> " (318 mm)D x 1 <sup>1</sup> / <sub>2</sub> " (40 mm)H	Polymer	16	100 pair	20 lbs.	\$3.20 pr.
371-VCR-B	Storage Rails/VCR Tapes	1 <sup>1</sup> / <sub>2</sub> " (38 mm)W x 12 <sup>1</sup> / <sub>2</sub> " (318 mm)D x 1 <sup>1</sup> / <sub>2</sub> " (40 mm)H	Polymer	10	100 pair	20 lbs.	\$3.20 pr.
372-CD-B	Storage Rails/Compact Disc	1 <sup>1</sup> / <sub>2</sub> " (38 mm)W x 12 <sup>1</sup> / <sub>2</sub> " (318 mm)D x 1 <sup>1</sup> / <sub>2</sub> " (40 mm)H	Polymer	24	100 pair	30 lbs.	\$3.20 pr.

**CONTAINS:** Specified number of storage rails with adhesive pads on bottom.



## RT SERIES

## ROLLING TRAY SYSTEM

Increase space in kitchen drawers with Rev-A-Shelf's unique Rolling Tray System. This versatile two-tier tray set is available in a wide selection of sizes and can be trimmed to accommodate any drawer dimension. The RT Series is made of heavy gauge polystyrene with a high-gloss finish and features a removable rolling cutlery tray.



RT 10



RT 12



RT 14



RT 18

PRODUCT #s	DESCRIPTION	MINIMUM INNER DRAWER PRODUCT DIMENSIONS	FINISH	SET PER CARTON	WEIGHT PER CARTON	SUGGESTED LIST PRICE
<b>RT10 Series</b>				<b>Individual Pack</b>		
<b>Half Cutlery Tray Sets</b>						
RT 10-3H	Shallow Tray System	8¾"W (223 mm) x 16¾"D (426 mm) x 3⅝"H (80 mm)	Glossy White	1	4 lbs.	\$40.45
RT 10-4H	Deep Tray System	8¾"W (223 mm) x 16¾"D (426 mm) x 4⅞"H (105 mm)	Glossy White	1	4 lbs.	\$40.45
<b>Full Cutlery Tray Sets</b>						
RT 10-3F	Shallow Tray System	8¾"W (223 mm) x 21¼"D (540 mm) x 3⅝"H (80 mm)	Glossy White	1	4 lbs.	\$45.70
RT 10-4F	Deep Tray System	8¾"W (223 mm) x 21¼"D (540 mm) x 4⅞"H (105 mm)	Glossy White	1	4 lbs.	\$45.70
<b>RT12 Series</b>				<b>Individual Pack</b>		
<b>Half Cutlery Tray Sets</b>						
RT 12-3H	Shallow Tray System	11¾"W (299 mm) x 16¾"D (426 mm) x 3⅝"H (80 mm)	Glossy White	1	4 lbs.	\$43.35
RT 12-4H	Deep Tray System	11¾"W (299 mm) x 16¾"D (426 mm) x 4⅞"H (105 mm)	Glossy White	1	4 lbs.	\$43.35
<b>Full Cutlery Tray Sets</b>						
RT 12-3F	Shallow Tray System	11¾"W (299 mm) x 21¼"D (540 mm) x 3⅝"H (80 mm)	Glossy White	1	5 lbs.	\$52.20
RT 12-4F	Deep Tray System	11¾"W (299 mm) x 21¼"D (540 mm) x 4⅞"H (105 mm)	Glossy White	1	5 lbs.	\$52.20
<b>RT14 Series</b>				<b>Individual Pack</b>		
<b>Half Cutlery Tray Sets</b>						
RT 14-3H	Shallow Tray System	14¾"W (375 mm) x 16¾"D (426 mm) x 3⅝"H (80 mm)	Glossy White	1	5 lbs.	\$50.60
RT 14-4H	Deep Tray System	14¾"W (375 mm) x 16¾"D (426 mm) x 4⅞"H (105 mm)	Glossy White	1	5 lbs.	\$50.60
<b>Full Cutlery Tray Sets</b>						
RT 14-3F	Shallow Tray System	14¾"W (375 mm) x 21¼"D (540 mm) x 3⅝"H (80 mm)	Glossy White	1	6 lbs.	\$57.70
RT 14-4F	Deep Tray System	14¾"W (375 mm) x 21¼"D (540 mm) x 4⅞"H (105 mm)	Glossy White	1	6 lbs.	\$57.70
<b>RT18 Series</b>				<b>Individual Pack</b>		
<b>Half Cutlery Tray Sets</b>						
RT 18-3H	Shallow Tray System	17¾"W (451 mm) x 16¾"D (426 mm) x 3⅝"H (80 mm)	Glossy White	1	6 lbs.	\$55.55
RT 18-4H	Deep Tray System	17¾"W (451 mm) x 16¾"D (426 mm) x 4⅞"H (105 mm)	Glossy White	1	6 lbs.	\$55.55
<b>Full Cutlery Tray Sets</b>						
RT 18-3F	Shallow Tray System	17¾"W (451 mm) x 21¼"D (540 mm) x 3⅝"H (80 mm)	Glossy White	1	7 lbs.	\$67.70
RT 18-4F	Deep Tray System	17¾"W (451 mm) x 21¼"D (540 mm) x 4⅞"H (105 mm)	Glossy White	1	7 lbs.	\$67.70

### NOTES:

- All Utility Trays are trimmable to trimmable 16¼" (426 mm) depth. For the Full Cutlery Tray Systems to provide adequate accessibility to the utensils in the lower tray, a portion of the drawer back must be removed. No depth trimming of the lower utility tray will be necessary.
- Ships with a clear protective coating. Peel off before use.
- Minimum height refers to the cabinet draw opening, not just the height of the drawer.
- Rolling tray systems are available in glossy white finish only.

## RT SERIES

## ROLLING TRAY SPECIFICATIONS

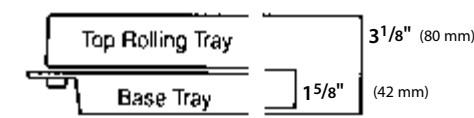
Our unique Rolling Tray System features the option of a full or half top rolling tray assembly as well as a (4⅞", 105mm) Deep system or a (3⅝", 80mm) Shallow system. Please refer to the chart below.



### SPECIFICATION: DRAWER CLEARANCE

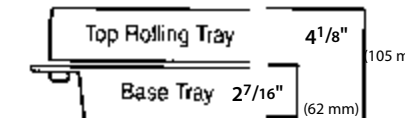
#### SHALLOW SYSTEM

Requires 31/8" min. clearance  
Base Tray is 15/8" Deep

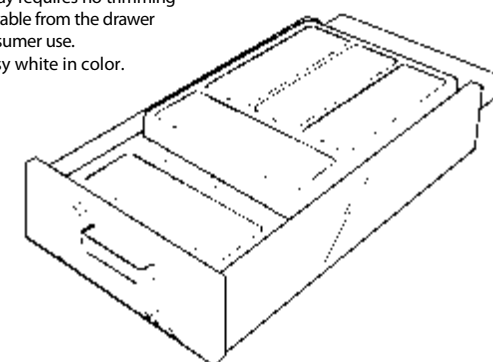


#### DEEP SYSTEM

Requires 41/8" min. clearance  
Base Tray is 27/16" Deep



- Our "Patent Pending" Roller rolls smoothly in a lower tray track built into the Utility Tray & provides a retaining means.
- The top rolling tray requires no trimming and is easily removable from the drawer for convenient consumer use.
- All trays are glossy white in color.

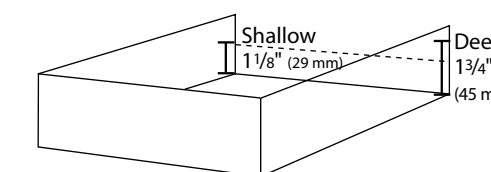
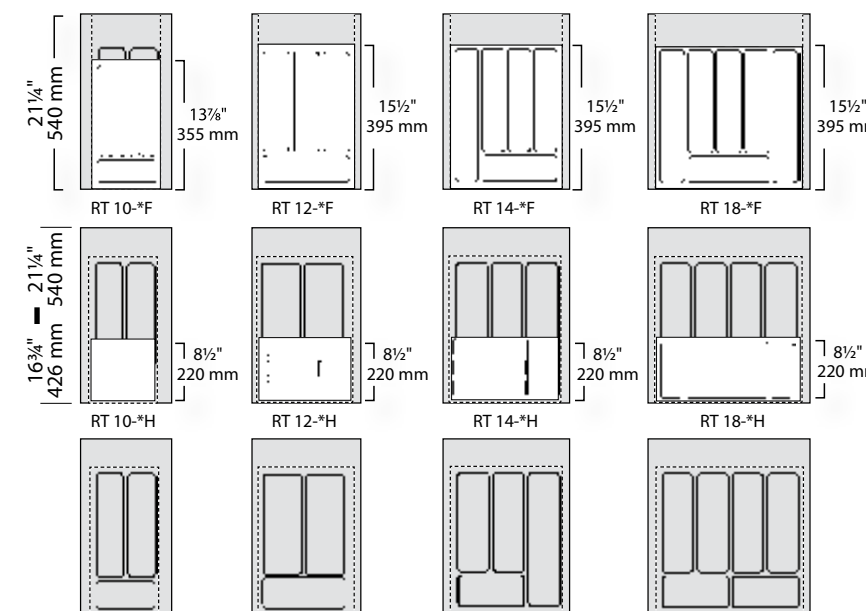


## F - FULL TRAY SYSTEMS

Back of drawer box must be cut down to allow the top tray to roll back. (See drawer box modification specs)

PRODUCT NUMBER	DRAWER WIDTH	
	Tray Size	Minimum Trim
RT-10-*F	11¾" x 21¼" (300 mm x 540 mm)	8¾" x 21¼" (225 mm x 540 mm)
RT-12-*F	14½" x 21¼" (370 mm x 540 mm)	11¾" x 21¼" (300 mm x 540 mm)
RT-14-*F	17¾" x 21¼" (450 mm x 540 mm)	14¾" x 21¼" (375 mm x 540 mm)
RT-18-*F	21¾" x 21¼" (555 mm x 540 mm)	17¾" x 21¼" (450 mm x 540 mm)

**NOTE: BOTTOM TRAY MUST BE CUT TO FIT DRAWER WIDTH ONLY. DO NOT TRIM LENGTH OF BOTTOM TRAY AS IT RETAINS THE TOP ROLLING TRAY.**



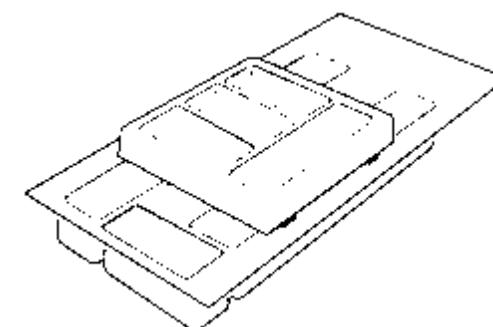
### Drawer Box Modification for (F) Full Tray System

- 31/8" (80 mm) Shallow Kit: Cut back panel of drawer box down to 11/8" (45 mm) (Inside Ht.)
- 41/8" (105 mm) Deep Kit: Cut back panel of drawer box down to 1¾" (45 mm) (Inside Ht.)

## H - HALF TRAY SYSTEMS

No need to modify drawer box.  
Cut to fit bottom tray to existing drawer dimensions.

PRODUCT NUMBER	DRAWER WIDTH	
	Tray Size	Minimum Trim
RT-10-*H	11¾" x 21¼" (300 mm x 540 mm)	8¾" x 16¾" (225 mm x 426 mm)
RT-12-*H	14½" x 21¼" (370 mm x 540 mm)	11¾" x 16¾" (300 mm x 426 mm)
RT-14-*H	17¾" x 21¼" (450 mm x 540 mm)	14¾" x 16¾" (375 mm x 426 mm)
RT-18-*H	21¾" x 21¼" (555 mm x 540 mm)	17¾" x 16¾" (450 mm x 426 mm)



## CT/GCT SERIES

## CUTLERY TRAYS

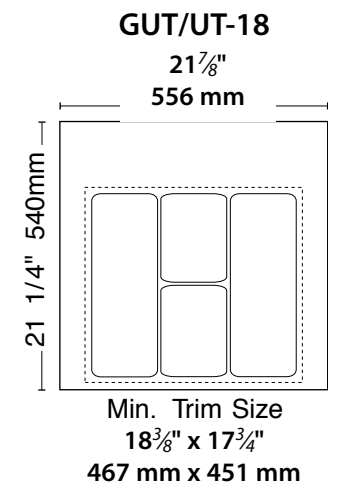
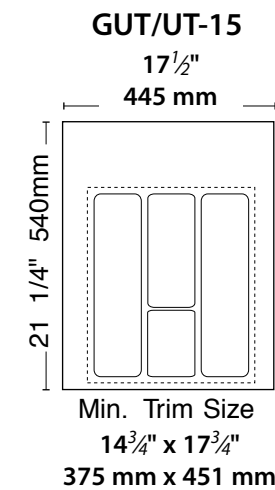
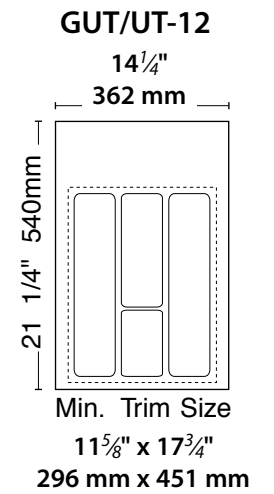
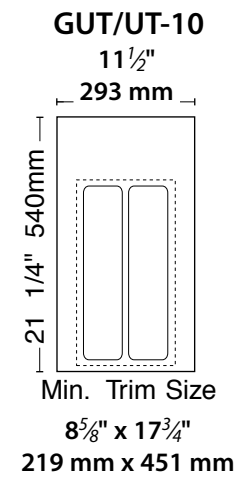
Get rid of cluttered drawers with Rev-A-Shelf's Cutlery Trays. The CT/GCT Series is available in four styles and four size variations with rubberized polystyrene to allow easy trimming for a perfect fit in any drawer. This single drawer insert is available in glossy or textured finish and white, almond or metallic silver colors.



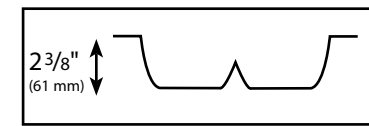
## UT/GUT SERIES

## UTILITY TRAYS

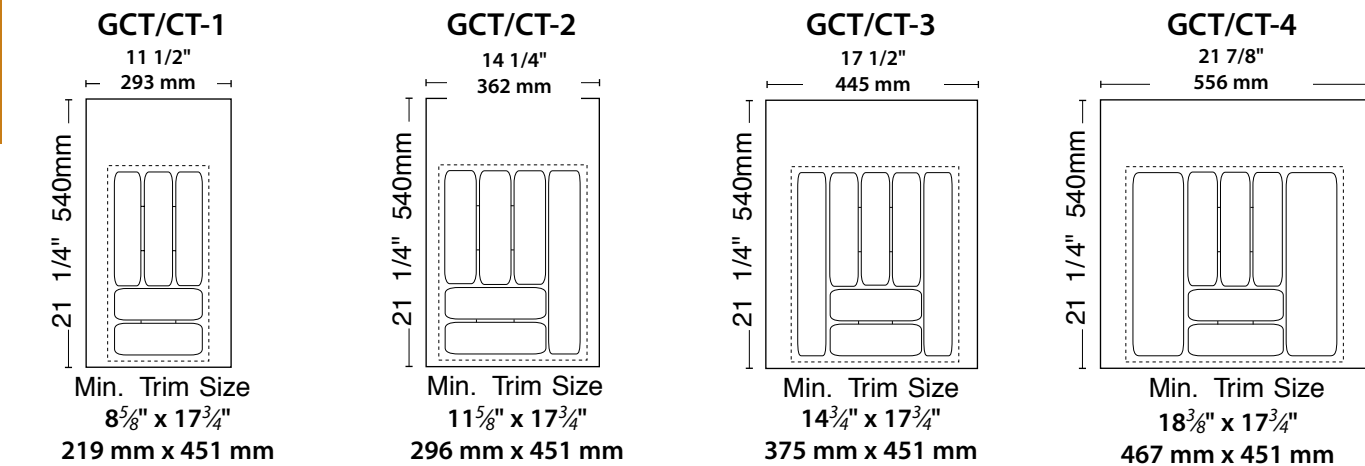
Arrange utensils in the kitchen drawer with the Rev-A-Shelf Utility Tray. The UT/GUT Series is available in four styles and four size variations with rubberized polystyrene to allow easy trimming for a perfect fit in any drawer. This single drawer insert is available in glossy or textured finish and white or almond colors.



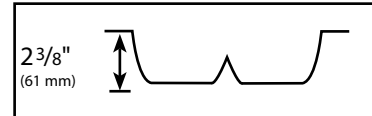
GUT DENOTES GLOSSY FINISH.  
UT DENOTES TEXTURE FINISH.  
GLOSSY AVAILABLE IN WHITE ONLY



NOTE: ALL CUTLERY AND UTILITY TRAYS ARE NOW 2 3/8" (61 mm) HIGH.



GCT DENOTES GLOSSY FINISH.  
CT DENOTES TEXTURE FINISH.  
GLOSSY AVAILABLE IN WHITE & SILVER



NOTE: ALL CUTLERY AND UTILITY TRAYS ARE NOW 2 3/8" (61 mm) HIGH.

PRODUCT #s	DESCRIPTION	TRAY PRODUCT DIMENSIONS	MINIMUM TRIM PRODUCT DIMENSIONS	FINISH	SET PER CARTON	WEIGHT PER CARTON	SUGGESTED LIST PRICE W/A	SUGGESTED L.P. SILVER
<b>Polymer Cutlery Tray</b>					<b>Individual Pack</b>			
CT-1*-52	Cutlery Tray	11 1/2" (293 mm)W x 21 1/4" (540 mm)D	8 5/8" (219 mm)W x 17 3/4" (451 mm)D	Polymer Trays	1	2 lbs.	\$14.50	\$14.80
CT-2*-52	Cutlery Tray	14 1/4" (362 mm)W x 21 1/4" (540 mm)D	11 5/8" (296 mm)W x 17 3/4" (451 mm)D	Polymer Trays	1	2 lbs.	\$15.95	\$16.25
CT-3*-52	Cutlery Tray	17 1/2" (445 mm)W x 21 1/4" (540 mm)D	14 3/4" (375 mm)W x 17 3/4" (451 mm)D	Polymer Trays	1	3 lbs.	\$18.70	\$19.00
CT-4*-52	Cutlery Tray	21 7/8" (556 mm)W x 21 1/4" (540 mm)D	18 3/8" (467 mm)W x 17 3/4" (451 mm)D	Polymer Trays	1	3 lbs.	\$19.70	\$20.15
<b>Polymer Cutlery Tray</b>					<b>Bulk Pack</b>			
CT-1*-10	Cutlery Tray	11 1/2" (293 mm)W x 21 1/4" (540 mm)D	8 5/8" (219 mm)W x 17 3/4" (451 mm)D	Polymer Trays	10	20 lbs.	\$12.60 ea.	N/A
CT-2*-20	Cutlery Tray	14 1/4" (362 mm)W x 21 1/4" (540 mm)D	11 5/8" (296 mm)W x 17 3/4" (451 mm)D	Polymer Trays	20	20 lbs.	\$12.90 ea.	N/A
CT-3*-20	Cutlery Tray	17 1/2" (445 mm)W x 21 1/4" (540 mm)D	14 3/4" (375 mm)W x 17 3/4" (451 mm)D	Polymer Trays	20	30 lbs.	\$15.10 ea.	N/A
CT-4*-10	Cutlery Tray	21 7/8" (556 mm)W x 21 1/4" (540 mm)D	18 3/8" (467 mm)W x 17 3/4" (451 mm)D	Polymer Trays	10	30 lbs.	\$15.50 ea.	N/A

**NOTES:**  
All Trays Heights are 2 3/8" (61 mm)  
\*Product available in three colors: (W) White, (A) Almond & (S) Glossy Metallic Silver.  
Add "G" to beginning of part number to designate Glossy White finish. Silver trays come standard Glossy!  
Trays can be ordered trimmed to your specifications for an additional charge.  
Ships with a clear protective coating. Peel off before use.

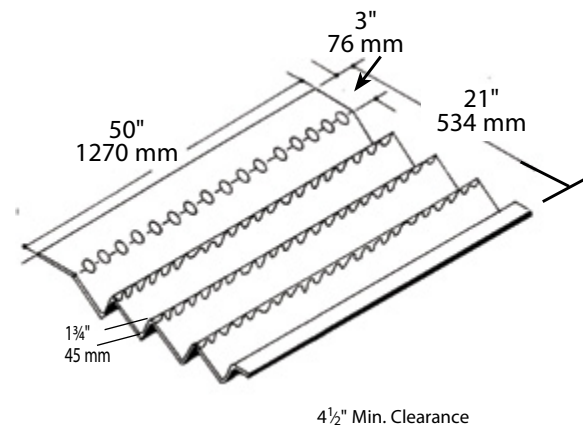
PRODUCT #s	DESCRIPTION	TRAY PRODUCT DIMENSIONS	MINIMUM TRIM PRODUCT DIMENSIONS	FINISH	SET PER CARTON	WEIGHT PER CARTON	SUGGESTED LIST PRICE
<b>Polymer Utility Tray</b>					<b>Individual Pack</b>		
UT-10*-52	Utility Trays	11 1/2" (293 mm)W x 21 1/4" (540 mm)D	8 5/8" (219 mm)W x 17 3/4" (451 mm)D	Polymer Trays	1	2 lbs.	\$14.50
UT-12*-52	Utility Trays	14 1/4" (362 mm)W x 21 1/4" (540 mm)D	11 5/8" (296 mm)W x 17 3/4" (451 mm)D	Polymer Trays	1	2 lbs.	\$15.95
UT-15*-52	Utility Trays	17 1/2" (445 mm)W x 21 1/4" (540 mm)D	14 3/4" (375 mm)W x 17 3/4" (451 mm)D	Polymer Trays	1	3 lbs.	\$18.70
UT-18*-52	Utility Trays	21 7/8" (556 mm)W x 21 1/4" (540 mm)D	18 3/8" (467 mm)W x 17 3/4" (451 mm)D	Polymer Trays	1	4 lbs.	\$19.70
<b>Polymer Utility Tray</b>					<b>Bulk Pack</b>		
UT-10*-10	Utility Trays	11 1/2" (293 mm)W x 21 1/4" (540 mm)D	8 5/8" (219 mm)W x 17 3/4" (451 mm)D	Polymer Trays	10	20 lbs.	\$12.60 ea.
UT-12*-20	Utility Trays	14 1/4" (362 mm)W x 21 1/4" (540 mm)D	11 5/8" (296 mm)W x 17 3/4" (451 mm)D	Polymer Trays	20	20 lbs.	\$12.90 ea.
UT-15*-20	Utility Trays	17 1/2" (445 mm)W x 21 1/4" (540 mm)D	14 3/4" (375 mm)W x 17 3/4" (451 mm)D	Polymer Trays	20	30 lbs.	\$15.10 ea.
UT-18*-10	Utility Trays	21 7/8" (556 mm)W x 21 1/4" (540 mm)D	18 3/8" (467 mm)W x 17 3/4" (451 mm)D	Polymer Trays	10	30 lbs.	\$15.50 ea.

**NOTES:**  
All Trays Heights are 2 3/8" (61 mm)  
\*Product available in two colors: (W) White & (A) Almond.  
Add "G" to beginning of part number to designate white/glossy finish.  
Trays can be ordered trimmed to your specifications for an additional charge.  
Ships with a clear protective coating. Peel off before use.

## ST50 SERIES

## UNIVERSAL SPICE TRAYS

Keep spices conveniently stored in a drawer by the stove with Rev-A-Shelf's Universal Spice Trays. With a tiered configuration for total organization and easy access, the Universal Spice Tray is available in a 50" x 20" size that can be trimmed for a perfect fit in any drawer. The ST50 Series is offered in glossy or textured finish and white or almond colors.



Trays are 50" x 21" trimmable to any size.

PRODUCT #'s	DESCRIPTION	PRODUCT DIMENSIONS	MIN. TRIM	FINISH	SET PER CARTON	WEIGHT PER CARTON	SUGGESTED LIST PRICE
<b>Polymer Spice Tray</b>							<b>Individual Pack</b>
ST50-21*-52	Spice Tray	50" (1270 mm)W x 21" (534 mm)D	Any Size	Polymer Trays	1	8 lbs.	\$57.40
<b>Polymer Spice Tray</b>							<b>Bulk Pack</b>
ST50-21*-12	Spice Tray	50" (1270 mm)W x 21" (534 mm)D	Any Size	Polymer Trays	12	96 lbs.	\$51.20

### NOTES:

Universal Spice Trays are best utilized with 22" full-extension slides for maximum accessibility. Shown with 5" Spice Bottles, Trays can be ordered trimmed to your specifications for a minimum additional charge.  
\*Product available in two colors: (W) White, (A) Almond

## ST2 SERIES

## INDIVIDUAL SPICE DRAWER INSERT



A smaller version of the ST50, this Individual Spice Drawer Insert is available in a 16" x 21 1/4" size that can also be trimmed to fit. The ST2 Series holds spices securely in place and is available in a glossy white finish.

PRODUCT #'s	DESCRIPTION	PRODUCT DIMENSIONS	MIN. TRIM SIZE	FINISH	SET PER CARTON	WEIGHT PER CARTON	SUGGESTED LIST PRICE
<b>Polymer Spice Tray</b>							<b>Individual Pack</b>
ST-2GW-52	Spice Tray Insert	16" (407 mm)W x 21 1/4" (540 mm)D x 2 3/8" (61 mm)H	11 3/8" (289 mm)W x 15 1/2" (394 mm)D	Glossy White	1	2 lbs.	\$20.45

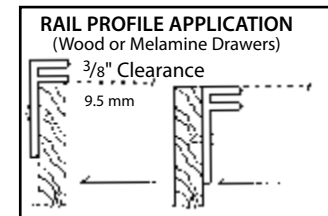
### NOTES:

\*Product available in (W) White. Shown with 3" Spice Bottles. Can be trimmed to fit.

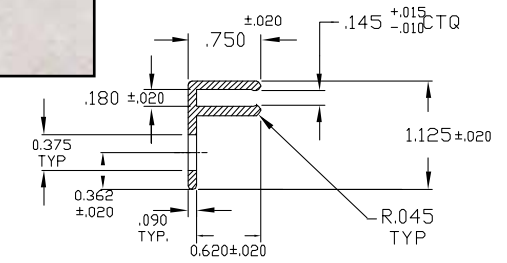
## BDC SERIES

## BREAD DRAWER COVER

The BDC Series is available in white, almond or translucent finishes and 2 sizes that can be trimmed to accommodate any drawer dimension. The Bread Drawer Cover Kit contains a one-piece cover with molded in handle and rear stop, adjustable sliding rails and mounting screws.



Rails can be ordered for Special Applications also:  
**CDR-21-\*A**  
(One Pair of Rails w/screws)  
\*W=White and A=Almond  
**CDR-21-C-A CLEAR RAILS**  
Clear Rails come packaged with all (-20) translucent covers



PRODUCT #'s	DESCRIPTION	MAXIMUM PRODUCT DIMENSIONS	MINIMUM CUT SIZE	FINISH	SET PER CARTON	WEIGHT PER CARTON	SUGGESTED LIST PRICE
<b>Bread Drawer Cover</b>							<b>Individual Pack</b>
BDC-200-**	Bread Drawer Cover Kit	16 3/4" (426 mm)W x 21 3/4" (553 mm)L	11 1/2" (295 mm) x Any Length	Polymer	1	3 lbs.	\$30.60
BDC-200-20	BDC Kit—Translucent w/clear rails	16 3/4" (426 mm)W x 21 3/4" (553 mm)L	11 1/2" (295 mm) x Any Length	Polymer	1	3 lbs.	\$53.65
<b>Bread Drawer Cover</b>							<b>Individual Pack</b>
BDC24-**	BDC Kit—White, Almond	20 1/2" (511 mm)W x 21 3/4" (553 mm)L	16 1/2" (408 mm) x Any Length	Polymer	1	3 lbs.	\$32.20
BDC24-20	BDC Kit—Translucent w/clear rails	20 1/2" (511 mm)W x 21 3/4" (553 mm)L	16 1/2" (408 mm) x Any Length	Polymer	1	3 lbs.	\$54.10
<b>F-Channel Rail Kit</b>							
CDR-21W-A	Extra White Rails			Polymer	1	2 lbs.	\$15.95
CDR-21A-A	Extra Almond Rails			Polymer	1	2 lbs.	\$15.95
CDR-21C-A	Extra Clear Rails			Polymer	1	2 lbs.	\$22.90

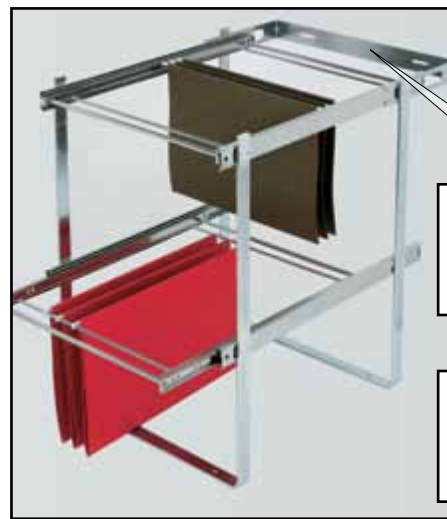
**NOTES:** All BDC Kits includes (1) cover, (1) pair rails, & screws. Cover is textured to hide scratches. \*Product available in three colors: (11) White, (15) Almond, and (20) Clear (for an additional cost). These bread drawer covers can be ordered custom cut to your drawer specifications. Contact Customer Service with your inside drawer dimensions and we will do the rest. Cut-to-size charges will vary.

## RAS-FD KIT

## TWO-TIER FILE DRAWER SYSTEM



Turn your standard height base 18 drawer/door cabinet into a two-tier file drawer with our file drawer kit. This unique kit features full-extension ball bearing slides and heavy-duty chrome plated rails that hold both letter and legal folders. The bottom, side, and rear mounting was designed on the same platform as our successful 5WB2 Series wire baskets. Providing you the sturdiness you expect and easy installation.



The telescoping rear bracket adjust from 19 3/4"-24". Both tiers are door mountable with RV-DM-FDKIT.

### MINIMUM OPENING

14 1/2" (368 mm) W  
20 1/2" (521 mm) H

PRODUCT #s	DESCRIPTION	PRODUCT DIMENSIONS	FINISH	SET PER CARTON	WEIGHT PER CARTON	SUGGESTED LIST PRICE
<b>Two-Tier File Drawer System</b>						
<b>Individual Pack</b>						
RAS-FD-KIT	Two-Tier File Drawer System	14 3/4" (375 mm) W x 19 3/4" (597 mm) - 24" (610) D x 22 5/8" (575 mm) H	Chrome	1	5 lbs.	\$87.00
RV-DM-FDKIT	Door Mounting Kit - Two Pair for Both Tiers		Silver	1	2 lbs.	\$40.00

## RAS-FD SERIES

## FILE DRAWER SYSTEM

Organize recipes, coupons, bills and more with Rev-A-Shelf's File Drawer System available in both legal and letter size dimensions. The RAS-FD organizer features front and back frames that fasten to the drawer box for complete stability and a versatile T-Rod that creates divided storage for both legal and letter size folders. This durable file drawer system is designed for base 18 and base 21 cabinets but features metal supports that can be trimmed to fit virtually any cabinet drawer.



PRODUCT #s	DESCRIPTION	PRODUCT DIMENSIONS	FINISH	SET PER CARTON	WEIGHT PER CARTON	SUGGESTED LIST PRICE
<b>File Drawer System</b>						
<b>Individual Pack</b>						
RAS-SMFD-52	Small File System	13" (330 mm) W x 19 1/4" (489 mm) D x 9 3/4" (248 mm) H	Black Wire	1	3 lbs.	\$22.90
RAS-LGFD-52	Large File System	15 7/8" (403 mm) W x 19 1/4" (489 mm) D x 9 3/4" (248 mm) H	Black Wire	1	3.3 lbs.	\$25.95

**NOTES:** RAS-SMFD-52: Designed for letter size hanging folders. RAS-LGFD-52: Designed for legal size hanging folders Use T-Rod to divide drawer in two section to hold both letter and legal size folders **CONTAINS:** Wire frame, corner connectors, T-Rod connectors. Due to different drawer front thickness, mounting screws are NOT included.

## RAS-FD KIT

## PULLOUT FILE DRAWER SYSTEM

Get organized with this pullout file drawer. Designed for 18" base cabinets with a 1/2" face frame, it side mounts and features a chrome finish, door mounting brackets, full-extension ball bearing slides, and holds either letter or legal folders. Need to store both formats then stack them for a complete filing system.



Use two units for a complete filing system. Requires only 21" I.C.H.



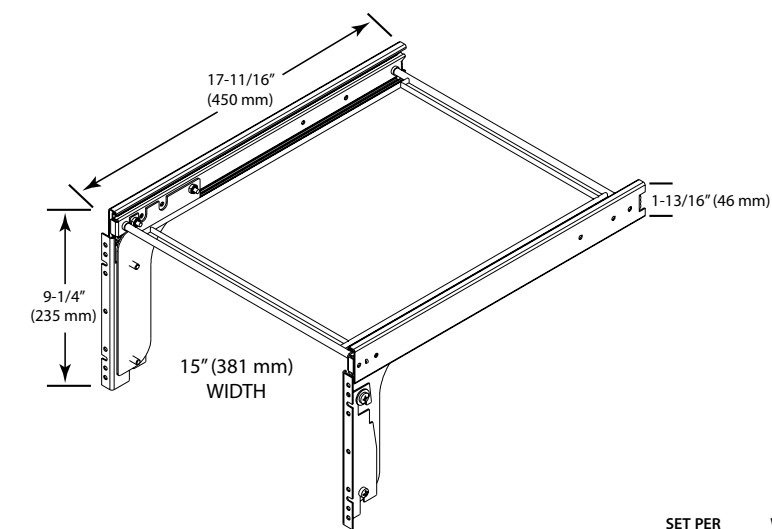
Fits LEGAL SIZED File Folders.



Fits LETTER SIZED File Folders.



Door Mount Brackets Included



PRODUCT #s	DESCRIPTION	MIN. CABINET DIMENSIONS	FINISH	SET PER CARTON	WEIGHT PER CARTON	SUGGESTED LIST PRICE
<b>File Drawer System</b>						
<b>Individual Pack</b>						
RAS-FDSM-DM15-1	Pullout File Drawer System	15" (381 mm) W x 17 3/4" (451 mm) D x 10 1/2" (267 mm) H	Chrome	1	7 lbs.	\$52.80

# REV-A-SHELF<sup>®</sup>



800.626.1126 • rev-a-shelf.com

**multidecor**

**Multidecor S. de R.L. de C.V.**

Cuadrante de San Francisco Núm. 14-1

Col. Cuadrante de San Francisco. C.P. 04320, México D.F.

info@multidecor.com.mx (55) 5554 5858 / (55) 5544 3737

www.multidecor.com.mx