



REV-A-SHELF®



WASTE CONTAINERS

Renowned as the most complete and thorough line available, Rev-A-Shelf's waste container series includes traditional wire, classic wood, and luxurious chrome frames; original polymer and contemporary stainless steel containers; side, bottom, top and door mount options; brushed aluminum, Quadro, Blum Tandem slide systems; pullout and pivot-out functions, and Blum Electric Servo-Drive; all with the high-quality and flexibility you need. The options are endless. From the RV Series for small clearance cabinets to the recycling center for the environmentally conscious, we have designed a pullout waste container for every situation in your home.

multidecor

Multidecor S. de R.L. de C.V.

Cuadrante de San Francisco Núm. 14-1

Col. Cuadrante de San Francisco. C.P. 04320, México D.F.

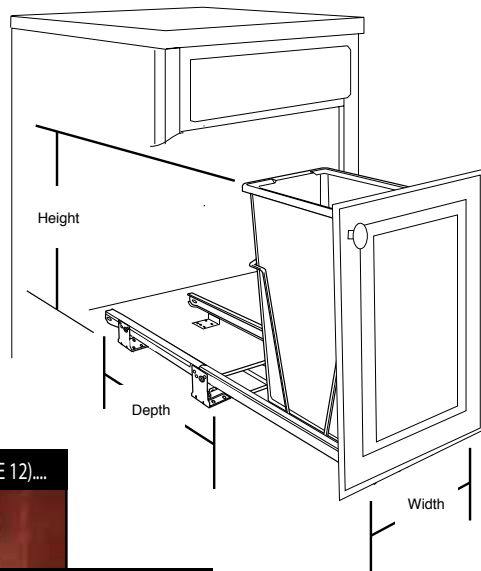
info@multidecor.com.mx (55) 5554 5858 / (55) 5544 3737

www.multidecor.com.mx

RV SERIES

SINGLE PULLOUT WASTE CONTAINERS

This popular waste container series is available in a variety of sizes to accommodate almost any cabinet space. Regarded as the best in the industry, the RV Series features a heavy-duty wire frame construction; Euro, 3/4 or full-extension ball bearing slides and easy bottom mount installation with just four screws. These durable pullout waste containers carry the standard Rev-A-Shelf **LIMITED LIFETIME GUARANTEE**.

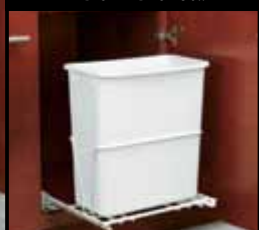


DESIGNED TO FIT SINK BASE 30 (OR BASE 12)...



RV-814PB - In one configuration

AND SINK BASE 36!



RV-814PB - Installed in an alternate configuration

We are transitioning to a new design for our RV-8 and VL-14 waste containers. This unique new design can be installed in two different ways depending on your application.

LIDS
for 35 & 50 qt. Containers

PRODUCT #s	DESCRIPTION	PRODUCT DIMENSIONS	FINISH	SET PER CARTON	WEIGHT PER CARTON	SUGGESTED LIST PRICE
Single Pullout Waste Containers						
RV-814PB	Single 20 Qt. with Euro Slides when rotated:	8½" (216 mm)W x 14¾" (372 mm)D x 16¾" (422 mm)H 14½" (362 mm)W x 14¾" (372 mm)D x 16¼" (413 mm)H	Polymer	1	7 lbs.	\$50.75
RV-9PB	Single 30 Qt. 3/4 Extension Slides	9½" (242 mm)W x 22" (559 mm)D x 19¼" (489 mm)H	Polymer	1	10 lbs.	\$80.35
RV-9PB S	Above with Full-Extension Slides		Polymer	1	10 lbs.	\$96.70
RV-12PB	Single 35 Qt. 3/4 Extension Slides	10¾" (270 mm)W x 22" (559 mm)D x 19" (483 mm)H	Polymer	1	10 lbs.	\$89.30
RV-12PB S	Above with Full-Extension Slides		Polymer	1	10 lbs.	\$106.15
VL-9PB	Single 30 Qt. with Euro Slides	9½" (242 mm)W x 22" (559 mm)D x 19½" (496 mm)H	Polymer	1	9 lbs.	\$53.65
RV-12PB-L	Single 35 Qt. with lid	10¾" (270 mm)W x 22" (559 mm)D x 20¾" (518 mm)H	Polymer	1	8 lbs.	\$96.70
RV-12PB-LE	Single 35 Qt. with lid	10¾" (270 mm)W x 16" (407 mm)D x 20¾" (518 mm)H	Polymer	1	8 lbs.	\$107.60
RV-12PB-50	Single 50 Qt.	11¼" (286 mm)W x 22" (559 mm)D x 23¼" (591 mm)H	Polymer	1	10 lbs.	\$112.80
RV-12PB-50 S	Single 50 Qt. with lid and FE slides	12¼" (311 mm)W x 22" (559 mm)D x 24¼" (616 mm)H	Polymer	1	11 lbs.	\$141.65
RV-18PB-1	Single 35 Qt.	14¾" (365 mm)W x 22" (559 mm)D x 19¼" (489 mm)H	Polymer	1	8 lbs.	\$101.50
RV-14PB S	Single 20 Qt., FE slides	14¾" (372 mm)W x 16" (407 mm)D x 16¾" (416 mm)H	Polymer	1	11 lbs.	\$92.20

CONTAINS:

RV-814PB (1) container, frame, ¾ extension Euro slides, 75# Weight Rating
RV-9PB (1) container, frame, ¾ extension slides, 75# Weight Rating
RV-9PB S (1) container, frame, full-extension slides, 100# Weight Rating
RV-12PB (1) container, frame, ¾ extension slides, 75# Weight Rating
RV-12PB S (1) container, frame, full-extension slides, 100# Weight Rating
VL-9PB (1) container, frame, Euro slides, 75# Weight Rating

RV-12PB L (1) container with lid, frame, ¾ extension slides, 75# Weight Rating
RV-12PB-LE (1) container with lid, frame, full-extension slides, 100# Weight Rating
RV-12PB-50 (1) container, frame, ¾ extension slides, 75# Weight Rating
RV-12PB-50 S (1) container, frame, full-extension slides, 100# Weight Rating
RV-14PB S (1) container, frame with basket, full-extension slides, 100# Weight Rating
RV-18PB-1 (1) container, frame, ¾ extension slides, 75# Weight Rating

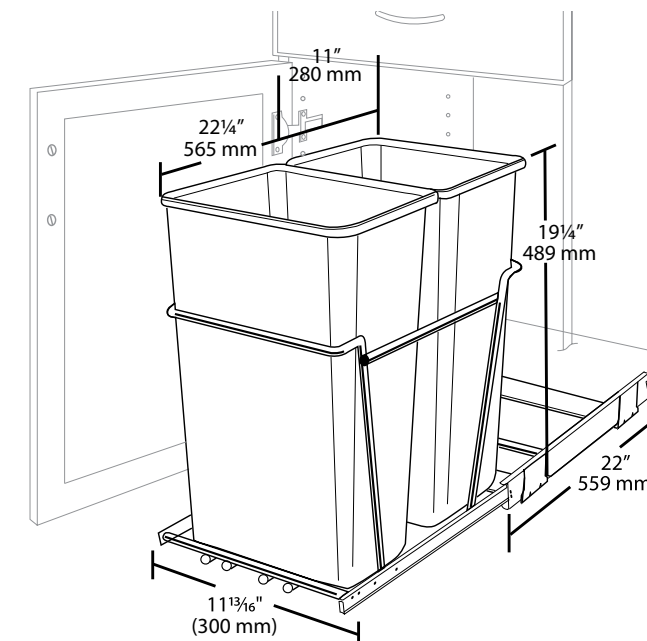
RV SERIES

DOUBLE PULLOUT WASTE CONTAINERS

For situations that need more than one trash can, Rev-A-Shelf offers the double pullout Waste Container Series. Made with the same great features as the single Pullout, this series is available in a double 27 Qt. or a double 35 Qt. version.

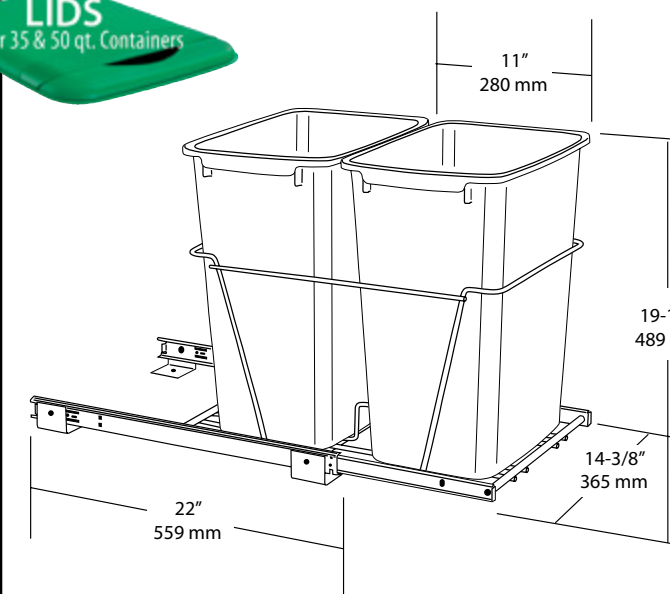


RV-15PB-2 S



RV-18PB-2 S

LIDS
for 35 & 50 qt. Containers



PRODUCT #s	DESCRIPTION	PRODUCT DIMENSIONS	FINISH	SET PER CARTON	WEIGHT PER CARTON	SUGGESTED LIST PRICE
Double Pullout Waste Containers						
RV-15PB-2 S	Double 27 Qt. Containers/Full-Extension Slides	11⅜" (300 mm)W x 22¼" (565 mm)D x 19¼" (489 mm)H	Polymer	1	12 lbs.	\$134.70
RV-18PB-2 S	Double 35 Qt. Containers/Full-Extension Slides	14¾" (365 mm) W x 22" (559 mm)D x 19¼" (489 mm)H	Polymer	1	14 lbs.	\$149.65

CONTAINS:

RV-15PB-2 S (2) containers, frame, full-extension slides, 100# Weight Rating
RV-18PB-2 S (2) containers, frame, full-extension slides, 100# Weight Rating
IMPORTANT NOTE: Depending on cabinet construction and pull hardware, a lid on the rear waste bin may not fully function.



RV SERIES
NOW AVAILABLE
IN SILVER AND BLACK
PAGE 22-23

RV SERIES

35 QT. AND 50 QT. CONTAINER LIDS

WASTE CONTAINERS

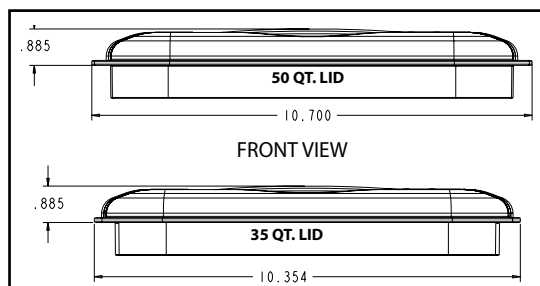
RED-A-SHELF Accessible Storage



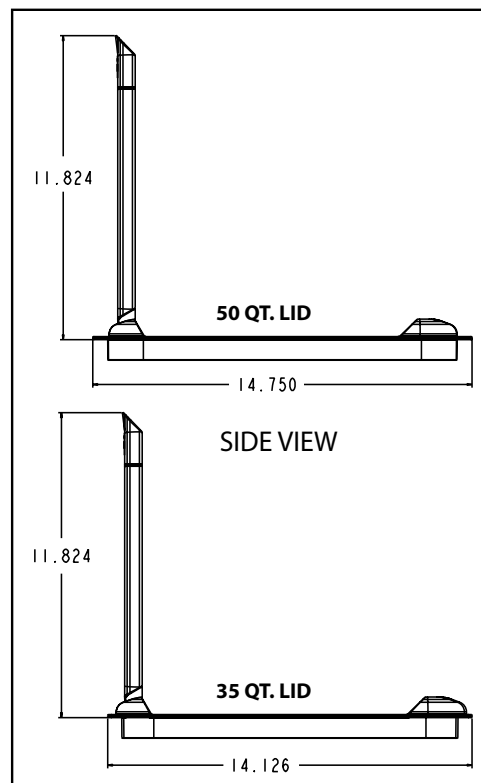
Lids Sold Separately

Rev-A-Shelf is now offering flip-up lids for our most popular waste containers. They are available for 35 Qt. and 50 Qt. containers, in a variety of different colors.

FITS ALL 35 AND 50 QT. WASTE CONTAINERS



IMPORTANT NOTE: These lids will add to the height of our waste containers. We recommend adding 1" to the height of the product you are using. Be sure to take this dimension into account when measuring your cabinet.



- GREEN
- WHITE
- METALLIC SILVER
- BLACK



PRODUCT #s	DESCRIPTION	FINISH	SET PER CARTON	WEIGHT PER CARTON	SUGGESTED LIST PRICE
Waste Container Lids					
RV-35-LID-1	35 Qt. Waste Container Lid - White	Polymer	1	1.2 lbs.	\$18.00
RV-35-LID-17-1	35 Qt. Waste Container Lid - Metallic Silver	Polymer	1	1.2 lbs.	\$20.30
RV-35-LID-18-1	35 Qt. Waste Container Lid - Black	Polymer	1	1.2 lbs.	\$20.30
RV-35-LID-G-1	35 Qt. Waste Container Lid - Green	Polymer	1	1.2 lbs.	\$20.30
RV-50-LID-1	50 Qt. Waste Container Lid - White	Polymer	1	1.2 lbs.	\$19.45
RV-50-LID-17-1	50 Qt. Waste Container Lid - Metallic Silver	Polymer	1	1.2 lbs.	\$21.75
RV-50-LID-G-1	50 Qt. Waste Container Lid - Green	Polymer	1	1.2 lbs.	\$21.75

Individual Pack

IMPORTANT NOTE: Depending on cabinet construction and pull hardware, a lid on the rear waste bin may not fully function.

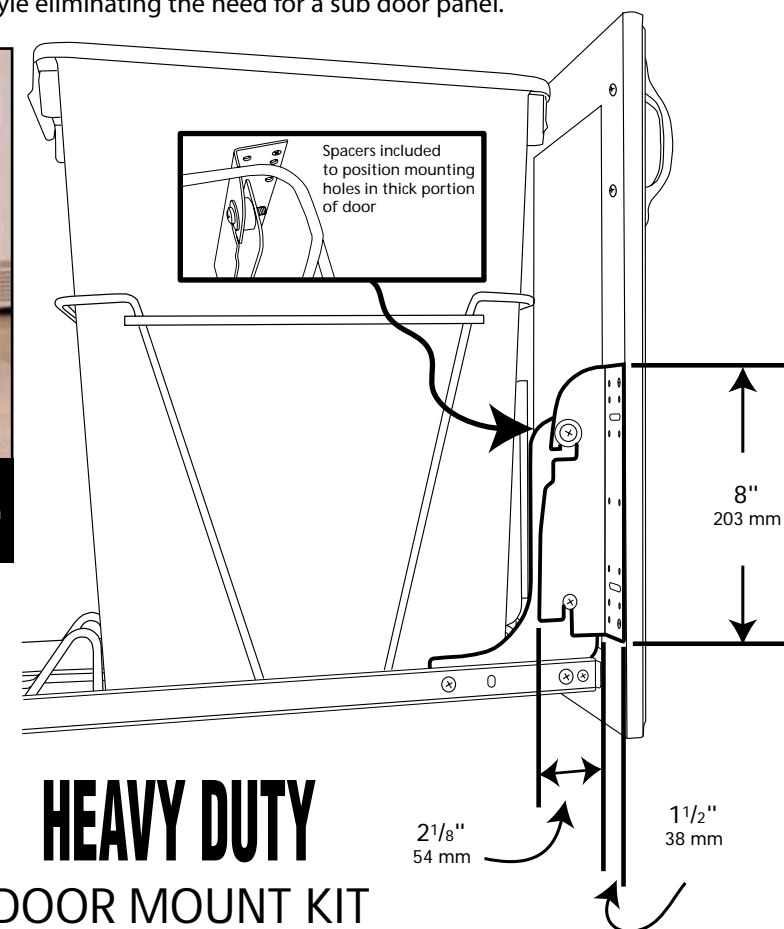
RV DM KIT

DOOR MOUNT KIT

All RV Series Waste Containers and HPRV/HRV Hampers can be attached to the cabinet door for an easy one step process with the Heavy-Duty Door Mount Kit. This system is considered the best in the industry with a six-way adjustable door-mounting bracket for easy installation and simple job site adjustments. The RV DM KIT includes a complete set of brackets, fasteners and spacers for installation on any door style eliminating the need for a sub door panel.



Feature: RV DM Brackets can be adapted to any door application without need for sub-door.



HEAVY DUTY
DOOR MOUNT KIT

Patent No. 6,390,576

DOOR MOUNTS
NOW AVAILABLE IN SILVER

PRODUCT #s	DESCRIPTION	FINISH	SET PER CARTON	WEIGHT PER CARTON	SUGGESTED LIST PRICE
Door Mount Kit and Euro Adapters					
RV DM KIT	Heavy Duty Door Mount Kit	White	1	2 lbs.	\$31.45
RV DM17 KIT	Heavy Duty Door Mount Kit (Includes Euro Adapter Kit)	Silver Epoxy	1	2 lbs.	\$31.75
RV-EURO ADAPTOR KIT-52	Euro Slide Adapter Kit for RV-814PB, VL-9PB		1	1 lbs.	NO CHARGE

CONTAINS:
(2) Product Members, (1) set—Door Brackets (1 left & 1 right), (2) 1/4" x 1/2" Bolts, (2) 1/4" x 1/2" Bolts w/washers, (4) #10 x 1/2" truss head screws, (4) nylock nuts. Spacer Kit: (2) 1/4" x 1" Bolts, (2) 1/4" x 1" Bolts with washers, (2) 3/8" Spacers.

SPECIAL NOTE:
The RV-814PB, VL-9PB, and VL-14PB require euro slide adapter kit.

RV DM KIT
FITS ALL
RV SERIES
WASTE
CONTAINERS



RV DM KIT
FITS ALL
H-SERIES
POLYMER
AND
WIRE
HAMPERS



Fits
5CW2
Series
Cookware
Organizers.



WASTE CONTAINERS

RED-A-SHELF Accessible Storage

RV SERIES

PULLOUT WASTE CONTAINERS

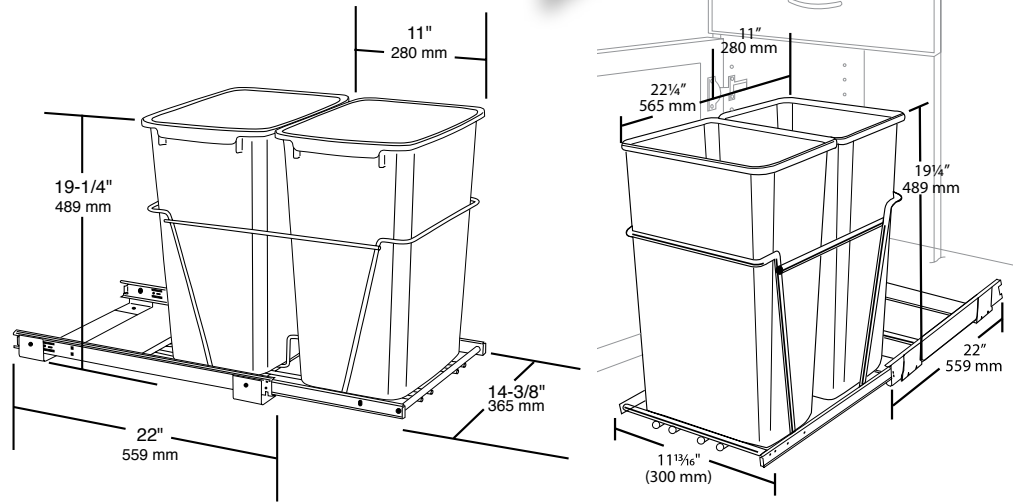
Our extremely popular RV-Series Waste Container is regarded as the best in the industry, the RV Series features a heavy-duty wire frame construction; full-extension ball bearing slides and easy bottom mount installation with just four screws. These durable pullout waste containers carry the standard Rev-A-Shelf **LIMITED LIFETIME GUARANTEE**.



Slide units install easily with four screws!



NEW FEATURE! Now includes a rear basket for bag storage on RV-12KD-18C S!



RV-18KD-18C S

PRODUCT #s	DESCRIPTION	PRODUCT DIMENSIONS	FINISH	SET PER CARTON	WEIGHT PER CARTON	SUGGESTED LIST PRICE
Individual Pack						
RV-12KD-18C S	Single 35 Qt., with Rear Basket	10 7/8" (270 mm)W x 22" (559 mm)D x 19 1/4" (489 mm)H	Black, Chrome	1	12 lbs.	\$86.70
RV-15KD-18C S	Double 27 Qt. Containers/Full-Extension Slides	11 13/16" (300 mm)W x 22 1/4" (565 mm)D x 19 1/4" (489 mm)H	Black, Chrome	1	13.6 lbs.	\$115.70
RV-18KD-18C S	Double 35 Qt. Containers/Full-Extension Slides	14 3/8" (365 mm)W x 22" (559 mm)D x 19 1/4" (489 mm)H	Black, Chrome	1	15 lbs.	\$129.35
RV DM17 KIT	Heavy Duty Door Mount Kit		Silver Epoxy	1	2 lbs.	\$31.75

CONTAINS: RV-15KD-17C S (2) containers, frame, full-extension slides, 100# Weight Rating RV-18KD-17C S (2) containers, frame, full-extension slides, 100# Weight Rating RV-12KD-17C S (1) container, frame, 18" full-extension slides, 100# Weight Rating **IMPORTANT NOTE:** Depending on cabinet construction and pull hardware, a lid on the rear waste bin may not fully function.

RV SERIES

PULLOUT WASTE CONTAINERS

Our extremely popular RV-Series Waste Container is regarded as the best in the industry, the RV Series features a heavy-duty wire frame construction; full-extension ball bearing slides and easy bottom mount installation with just four screws. These durable pullout waste containers carry the standard Rev-A-Shelf **LIMITED LIFETIME GUARANTEE**.

NEW FEATURE! Now includes a rear basket for bag storage on RV-12KD-17C S!



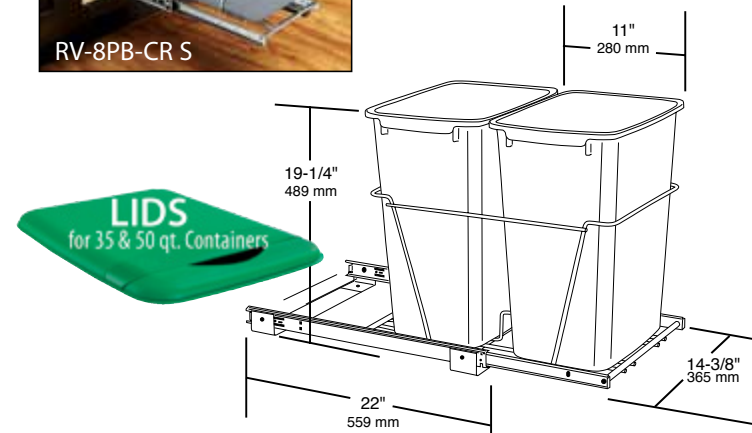
RV-12KD-17C S

DOOR MOUNT KIT FOR RV SERIES CONTAINERS!



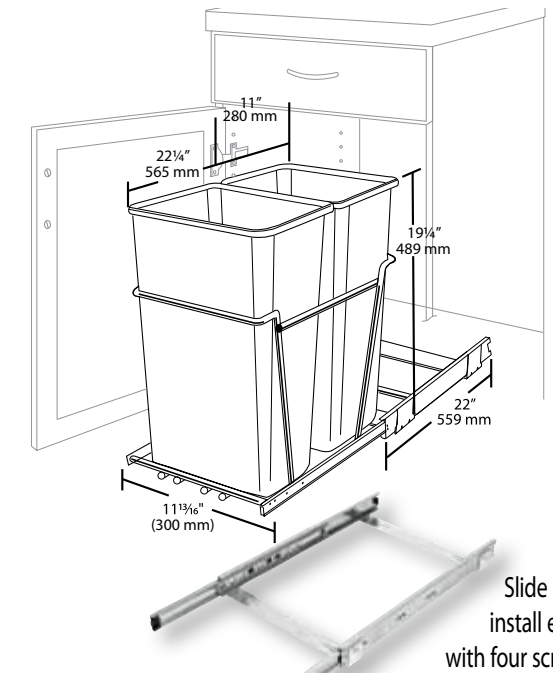
RV-8PB-CR S

NEW SIZE! SINGLE 20 QT.
Perfect for Sink Base, Vanity Applications and Base 12's!



PRODUCT #s	DESCRIPTION	PRODUCT DIMENSIONS	FINISH	SET PER CARTON	WEIGHT PER CARTON	SUGGESTED LIST PRICE
Individual Pack						
RV-8PB-CR S	Single 20 Qt., Full-Extension Slides	8" (219 mm)W x 17 1/2" (450 mm)D x 16 3/4" (426 mm)H	Silver, Chrome	1	7 lbs.	\$78.00
RV-12KD-17C S	Single 35 Qt., with Rear Basket	10 7/8" (270 mm)W x 22" (559 mm)D x 19 1/4" (489 mm)H	Silver, Chrome	1	12 lbs.	\$86.70
RV-15KD-17C S	Double 27 Qt. Containers/Full-Extension Slides	11 13/16" (300 mm)W x 22 1/4" (565 mm)D x 19 1/4" (489 mm)H	Silver, Chrome	1	13.6 lbs.	\$115.70
RV-18KD-17C S	Double 35 Qt. Containers/Full-Extension Slides	14 3/8" (365 mm)W x 22" (559 mm)D x 19 1/4" (489 mm)H	Silver, Chrome	1	15 lbs.	\$129.35
RV DM17 KIT	Heavy Duty Door Mount Kit		Silver Epoxy	1	2 lbs.	\$31.75

CONTAINS: RV-15KD-17C S (2) containers, frame, full-extension slides, 100# Weight Rating RV-18KD-17C S (2) containers, frame, full-extension slides, 100# Weight Rating RV-12KD-17C S (1) container, frame, 18" full-extension slides, 100# Weight Rating **IMPORTANT NOTE:** Depending on cabinet construction and pull hardware, a lid on the rear waste bin may not fully function.



Slide units install easily with four screws!

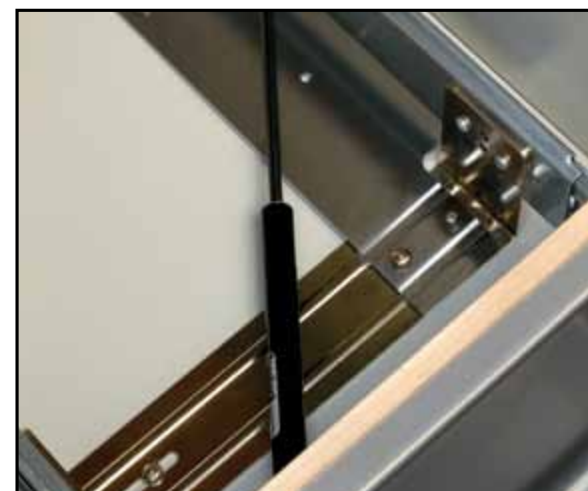


RV-18KD-17C S

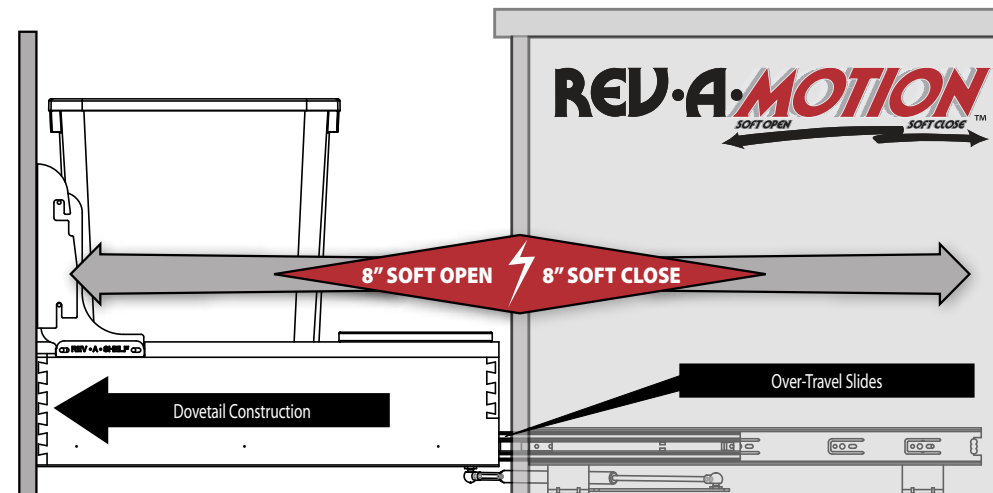


Count on Rev-A-Shelf to revolutionize the storage industry with innovative products. We don't just answer the markets needs we create the market

The 4WCBM Series Waste Containers are the only bottom mount units available with Rev-A-Shelf's patent pending Rev-A-Motion™ Soft Open-Soft Close slide system. The innovative gas spring assisted Soft-Open allows the unit to open smoothly and the Soft-Close shuts softly, even under the heaviest of loads. The unique design allows installation into 1½", 1⅝", and 1¾", face frame sizes, as well as frameless constructions. Available in single 35 & 50 QT or double 30, 35 and 50 QT models. All units feature metallic silver waste containers and built-in door mount brackets and many have a removable wood bin in rear for bag storage. The 4WCBM is easy to install with only five screws and features a beautiful dovetail constructed frame, concealed 150 lb. slides for a clean look.



Patent-Pending Rev-A-Motion™ provides not only soft-closing but also soft-opening.



BOTTOM MOUNTS FITS INSET!



KEY FEATURE!

Our revolutionary Rev-A-Motion Bottom Mount has been engineered to fit in inset door applications.

PRODUCT #s	DESCRIPTION	PRODUCT DIMENSIONS	FRAMELESS MINIMUM OPENING	FACE FRAME MINIMUM OPENING	FINISH	SET PER CARTON	WEIGHT PER CARTON	SUGGESTED LIST PRICE
Rev-A-Motion™ Bottom Mount Wood Pullout Waste Containers								
Individual Pack								
4WCBM-2430DM-2	Double 30 Qt. w/Rev-A-Motion™	20¼" (515 mm)W x 21¾" (553 mm)D x 19¼" (489 mm)H	20¾" (516 mm)	20¾" (516 mm)	Wood	1	38.6 lbs	\$436.15
4WCBM-15DM-1	Single 35 Qt. w/Rev-A-Motion™	12" (305mm)W x 21¾" (553 mm)D x 19¼" (489 mm)H	*12¼" (311 mm)	11¾" (299 mm)	Wood	1	26.8 lbs	\$344.65
4WCBM-18DM-2	Double 35 Qt. w/Rev-A-Motion™	14¾" (362 mm)W x 21¾" (553 mm)D x 19¼" (489 mm)H	14¾" (364 mm)	14¾" (364 mm)	Wood	1	29.3 lbs	\$363.25
4WCBM-1550DM-1	Single 50 Qt. w/Rev-A-Motion™	12" (305 mm)W x 21¾" (553 mm)D x 23¾" (589 mm)H	*12¼" (311 mm)	11¾" (299 mm)	Wood	1	27.9 lbs	\$352.80
4WCBM-2150DM-2	Double 50 Qt. w/Rev-A-Motion™	17¼" (438 mm)W x 21¾" (553 mm)D x 23¾" (589 mm)H	17¾" (441 mm)	17¾" (441 mm)	Wood	1	35.1 lbs	\$406.75

NOTES: Fully assembled. 150# Weight Rating. Lids sold separately. Single 35 Qt. and Single 50 Qt. face frame minimum opening is less than the product width. Depending on cabinet construction and pull hardware, a lid on the rear waste bin may not fully function. *Single unit hardware extends past bottom mount bracket.
CONTAINS: 1 or 2 containers, over-travel slides, and built in Door Mount Brackets.

4WCTM-RM SERIES TOP MOUNT PULLOUT WASTE CONTAINERS

Rev-A-Shelf's ground breaking Soft-Open/Soft-Close Rev-A-Motion™ waste containers are now available in an innovative Top-Mount application. The front, side and rear adjustable mounting brackets provide stability and easy installation. These products are constructed of solid maple and available in four sizes, they feature pre-assembled door mount brackets for easy one-step installation.

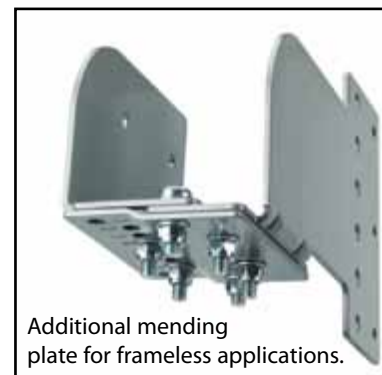


CONCEALED SLIDES!

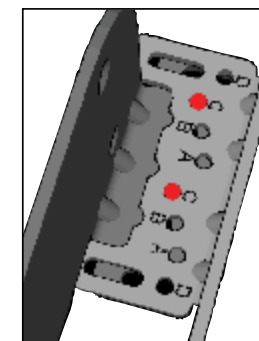
FITS INSET DOORS!

4WCTM-RM SERIES TOP MOUNT PULLOUT WASTE CONTAINERS

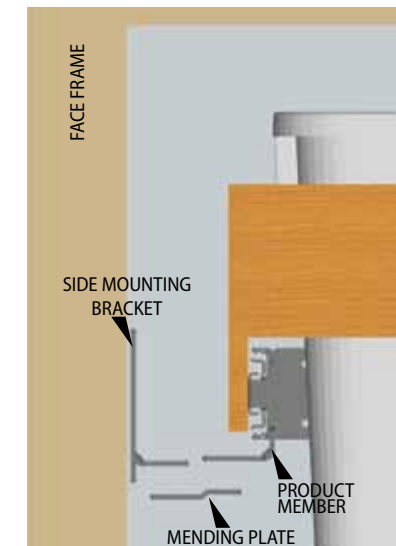
Unique adjustable bracket is designed for 1½", 1⅝", 1¾" face frame applications and will adapt to frameless construction.



Additional mending plate for frameless applications.



Example of 1.5" Face Frame Preset Hole Locations



PRESET HOLE LOCATIONS

	Side Mounting Bracket Location	Product Member Hole Location	Mending Plate Hole Location
1.5" Face Frame	C	C	N/A
1.625" Face Frame	B	B	N/A
1.75" Face Frame	A	A	N/A
Frameless with .75" Wall	B	A	2 & 5
Frameless with .708" (18 mm) Wall	B	D	1 & 8
Frameless with .825" Wall	B	B	3 & 8



Rev-A-Motion Slide system provides 8" of assisted opening and closing.

Patent Pending

Rear adjustable mounting brackets provide stability and easy installation.

REV-A-MOTION
SOFT OPEN SOFT CLOSE

	FRAMED MIN. CABINET OPENING	MAX. CAB OPENING	MIN. WALL TO WALL*	RECOMMENDED CABINET
4WCTM-RM-1835	14.5"	16.75"	15.25"	B 18
4WCTM-RM-1850	14.5"	16.75"	15.25"	FHB 18
4WCTM-RM-2135	17.5"	19.75"	18.25"	B 21
4WCTM-RM-2150	17.5"	19.75"	18.25"	FHB 21

* Frameless Width

PRODUCT #'s	DESCRIPTION	PRODUCT DIMENSIONS	FINISH	SET PER CARTON	WEIGHT PER CARTON	SUGGESTED LIST PRICE
Rev-A-Motion Top Mount Wood Pullout Waste Containers						
						Individual Pack
4WCTM-RM-1835DM-1	Single 35 Qt. Container	15¼" (388 mm)W x 21¾" (553 mm)D x 21" (534 mm)H	Wood	1	24 lbs.	\$345.85
4WCTM-RM-1850DM-1	Single 50 Qt. Container	15¼" (388 mm)W x 21¾" (553 mm)D x 24¾" (629 mm)H	Wood	1	20 lbs.	\$364.40
4WCTM-RM-2135DM-2	Double 35 Qt. Containers	18¼" (464 mm)W x 21¾" (553 mm)D x 21" (534 mm)H	Wood	1	26 lbs.	\$357.55
4WCTM-RM-2150DM-2	Double 50 Qt. Containers	18¼" (464 mm)W x 21¾" (553 mm)D x 24¾" (629 mm)H	Wood	1	24 lbs.	\$370.35

IMPORTANT NOTE: Depending on cabinet construction and pull hardware, a lid on the rear waste bin may not fully function.

4WCTM SERIES

TOP MOUNT PULLOUT WASTE CONTAINERS

Made from solid wood (maple) construction, the Top Mount Pullout Waste Containers are available in a single 35 Qt. and 50 Qt., double 10 Qt., 27 Qt., 35 Qt., and 50 Qt. varieties. The 4WCTM Series is designed for absolute sturdiness with front side mounting, rear adjustable mounting brackets for variances in cabinet depth, pre-assembled door mounting brackets and full-extension, ball-bearing, 150 lbs. rated over-travel slides. In addition, the single 35 Qt. waste container system includes a short polymer bin that provides an extra storage space for garbage bags 10³/₈"(264 mm)W x 7³/₈"(187 mm)D x 6³/₈"(162 mm).



4WCTM SPACER KIT
For Custom Installations.
Adds up to 1¹/₂" (per side)

Front of slide mounts to face frame of cabinet.



Rear mounting bracket is adjustable, for various cabinet depths.



4WCTM-18DM2



Lids Sold Separately - See page 20.

4WCTM SERIES

TOP MOUNT PULLOUT WASTE CONTAINERS



Now available in a 16¹/₄" reduced depth.



New replacement bins are now available. See page 42.
10³/₈"(264 mm)W x 7³/₈"(187 mm)D x 6³/₈"(162 mm)H



Door Mounting Bracket
(Patent #6,390,576)
NOT INCLUDED with 4WCTM-27-4



Double 10 Qt. Desk Top

MORE WOOD TOP MOUNTS ON NEXT PAGE!

PRODUCT #S	DESCRIPTION	PRODUCT DIMENSIONS	SET PER CARTON	WEIGHT PER CARTON	SUGGESTED LIST PRICE
Top Mount Wood Pullout Waste Containers					
Individual Pack					
1¹/₂" FACE FRAME					
4WCTM-12DM1	Single 35 Qt. Container w/White Slides/Trash Bin/Storage Bin	12" (305 mm)W x 22 ³ / ₄ " (578 mm)D x 17 ⁷ / ₈ " (454 mm)H	1	17 lbs.	\$135.45
4WCTM-1550DM-1	Single 50 Qt. Container w/White Slides/Trash Bin/Storage Bin	12" (305 mm)W x 23 ¹ / ₄ " (591 mm)D x 21 ³ / ₄ " (553 mm)H	1	18 lbs.	\$142.95
4WCTM-1850DM-1	Single 50 Qt. Container w/White Slides/Trash Bin/Storage Bin	15" (381 mm)W x 23 ¹ / ₄ " (591 mm)D x 21 ³ / ₄ " (533 mm)H	1	20 lbs.	\$179.80
4WCTM-15DM2	Double 27 Qt. Containers w/White Slides/Trash Bins	12" (305 mm)W x 23 ¹ / ₄ " (591 mm)D x 17 ³ / ₄ " (451 mm)H	1	18 lbs.	\$165.75
4WCTM-18DM2	Double 35 Qt. Containers w/White Slides/Trash Bins	15" (381 mm)W x 22 ³ / ₄ " (578 mm)D x 17 ⁷ / ₈ " (454 mm)H	1	17 lbs.	\$165.75
4WCTM-21DM2	Double 35 Qt. Containers w/White Slides/Trash Bins	18" (457 mm)W x 22 ³ / ₄ " (578 mm)D x 17 ⁷ / ₈ " (454 mm)H	1	19 lbs.	\$192.40
4WCTM-24DM2	Double 35 Qt. Containers w/White Slides/Trash Bins	21" (534 mm)W x 22 ³ / ₄ " (578 mm)D x 17 ⁷ / ₈ " (454 mm)H	1	21 lbs.	\$210.55
4WCTM-2150DM-2	Double 50 Qt. Containers w/White Slides/Trash Bins	18" (457 mm)W x 23 ¹ / ₄ " (591 mm)D x 21 ³ / ₄ " (553 mm)H	1	22 lbs.	\$179.80
4WCTM-27-4	Four 27 Qt. Containers w/White Slides/Trash Bins	24" (610 mm)W x 23 ¹ / ₄ " (591 mm)D x 18" (457 mm)H	1	24 lbs.	\$193.00
1¹/₂" FACE FRAME - REDUCED DEPTH SIDE MOUNT					
4WCTM-1516DM-1	Single 35 Qt. Container w/ Zinc Slides/Silver Metallic Trash Bins	12" (305 mm)W x 16 ¹ / ₄ " (413 mm)D x 18" (457 mm)H	1	11.7 lbs.	\$108.75
4WCTM-1816DM-1	Single 35 Qt. Container w/ Zinc Slides/Metallic Silver Bin/Wood Storage Bin	15" (381 mm)W x 16 ¹ / ₄ " (413 mm)D x 18" (457 mm)H	1	13 lbs.	\$116.85
4VWTM-1220DM-2	Double 10 Qt. Desk Top w/Zinc Slides / White Trash Bins	12" (305 mm)W x 19 ⁷ / ₈ " (413 mm)D x 12" (305 mm)H	1	11.5 lbs.	\$117.90

IMPORTANT NOTE: Depending on cabinet construction and pull hardware, a lid on the rear waste bin may not fully function.

4WCTM SERIES

TOP MOUNT PULLOUT WASTE CONTAINERS



Frameless Applications too!

4WCTM-24DM2-162

PRODUCT #s DESCRIPTION PRODUCT DIMENSIONS SET PER CARTON WEIGHT PER CARTON SUGGESTED LIST PRICE

Top Mount Wood Pullout Waste Containers

Individual Pack

1 1/8" FACE FRAME

4WCTM-12DM1-162	Single 35 Qt. w/White Slides/Trash Bin/Storage Bin	11 3/4" (299 mm)W x 22 3/4" (578 mm)D x 17 7/8" (454 mm)H	1	17 lbs.	\$136.15
4WCTM-15DM2-162	Double 27 Qt. w/White Slides/Trash Bins	11 3/4" (299 mm)W x 23 1/4" (591 mm)D x 17 7/8" (454 mm)H	1	18 lbs.	\$159.50
4WCTM-18DM2-162	Double 35 Qt. w/White Slides/Trash Bins	14 3/4" (375 mm)W x 22 3/4" (578 mm)D x 17 7/8" (454 mm)H	1	18 lbs.	\$161.10
4WCTM-21DM2-162	Double 35 Qt. w/White Slides/Trash Bins	17 3/4" (451 mm)W x 22 3/4" (578 mm)D x 17 7/8" (454 mm)H	1	20 lbs.	\$171.10
4WCTM-24DM2-162	Double 35 Qt. w/White Slides/Trash Bins	20 3/4" (527 mm)W x 22 3/4" (578 mm)D x 17 7/8" (454 mm)H	1	22 lbs.	\$182.25

1 1/8" FACE FRAME - REDUCED DEPTH - DESKTOP SIDE MOUNT

4WCTM-1818DM-1-162	Single 35 Qt. w/Zinc Slides/Metallic Silver Bin/Wood Storage Bin	14 3/4" (375 mm)W x 17 7/8" (454 mm)D x 17 7/8" (454 mm)H	1	20 lbs.	\$123.40
--------------------	--	---	---	---------	----------

1 3/4" FACE FRAME

4WCTM-12DM1-175	Single 35 Qt. w/White Slides/Trash Bin/Storage Bin	11 1/2" (292 mm)W x 22 3/4" (578 mm)D x 17 7/8" (454 mm)H	1	17 lbs.	\$140.65
4WCTM-18DM2-175	Double 35 Qt. w/White Slides/Trash Bins	14 1/2" (368 mm)W x 22 3/4" (578 mm)D x 17 7/8" (454 mm)H	1	20 lbs.	\$166.30

FRAMELESS - SIDE MOUNT (EXCEPT 4WCTM-21DM2-495-FL WHICH HAS BACK MOUNT BRACKET)

4WCTM-12DM1-343-FL	Frameless Single 35 Qt. w/White Slides/Trash Bin/Storage Bin	343 mm (13 1/2")W x 578 mm (22 3/4")D x 454 mm (17 7/8")H	1	17 lbs.	\$139.50
4WCTM-1550DM1-343-FL	Frameless Single 50 Qt. w/White Slides/Trash Bins	343 mm (13 1/2")W x 591 mm (23 1/4")D x 553 mm (21 3/4")H	1	18 lbs.	\$147.30
4WCTM-15DM2-343-FL	Frameless Double 27 Qt. w/White Slides/Trash Bins	343 mm (13 1/2")W x 591 mm (23 1/4")D x 451 mm (17 3/4")H	1	16.8 lbs.	\$170.65
4WCTM-18DM2-419-FL	Frameless Double 35 Qt. w/White Slides/Trash Bins	419 mm (16 1/2")W x 578 mm (22 3/4")D x 454 mm (17 7/8")H	1	19.5 lbs.	\$171.25
4WCTM-1850DM2-419-FL	Frameless Double 50 Qt. w/White Slides/Trash Bins	419 mm (16 1/2")W x 591 mm (23 1/4")D x 553 mm (21 3/4")H	1	20.2 lbs.	\$185.30
4WCTM-21DM2-495-FL	Frameless Double 35 Qt. w/White Slides/Trash Bins	495 mm (19 1/2")W x 591 mm (23 1/4")D x 451 mm (17 3/4")H	1	20 lbs.	\$171.10
4WCTM-27-4-597-FL	Frameless Four 27 Qt. Containers w/White Slides/Trash Bins	597 mm (23 1/2")W x 591 mm (23 1/4")D x 451 mm (17 3/4")H	1	24 lbs.	\$198.65

SPACER KIT (Custom)

4WCTM-SP-KIT	Use for Custom Face Frame Installations	1 1/2" (38 mm)W x 22 5/8" (565 mm)D x 2 5/8" (62 mm)H	1	4.5 lbs.	\$25.80
--------------	---	---	---	----------	---------

NOTES: Comes fully assembled. 4WCTM-27-4 - Can not be door mounted. Depending on cabinet construction and pull hardware, a lid on the rear waste bin may not fully function. CONTAINS: (1, 2 or 4) containers, 150# weight-rated, full-extension slides, and built in Door Mount Brackets (4WCTM-27-4 does not include brackets.)

4WCTM-BBSC SERIES

SOFT CLOSE WASTE CONTAINERS

Don't just take the trash out, take the noise out of your kitchen with our Top Mount Pullout Waste Containers with Soft Close. Available in a single 35 Qt. and 50 Qt. and double 27 Qt., 35 Qt., and 50 Qt. varieties. These beautiful wood waste containers install inside your cabinet and are designed for absolute sturdiness with front side mounting, rear adjustable mounting brackets for variances in cabinet depth and now a floating bracket that ensures soft-close functionality even when your cabinet wood swells and shrinks. Complete with pre-assembled door mounting brackets and 1-1/2" overtravel soft close ball-bearing slides. In addition, the single 35 Qt. waste container system includes a short polymer bin that provides an extra storage space for garbage bags 10 3/8" (264 mm)W x 7 3/8" (187 mm)D x 6 3/8" (162 mm).



Soft-Close Slide and Floating Rear Bracket

PRODUCT #s	DESCRIPTION	PRODUCT DIMENSIONS	FINISH	SET PER CARTON	WEIGHT PER CARTON	SUGGESTED LIST PRICE
Soft-Close Wood Top Mounts						
Individual Pack						
4WCTM-12BBSCDM1	Single 35 Qt. Soft-Close Top Mount	12" (305 mm)W x 22 3/4" (578 mm)D x 17 7/8" (454 mm)H	Wood	1		\$155.90
4WCTM-15BBSCDM2	Double 27 Qt. Soft-Close Top Mount	12" (305 mm)W x 23 1/4" (591 mm)D x 17 3/4" (451 mm)H	Wood	1		\$186.90
4WCTM-18BBSCDM2	Double 35 Qt. Soft-Close Top Mount	15" (381 mm)W x 22 3/4" (578 mm)D x 17 7/8" (454 mm)H	Wood	1		\$186.90
4WCTM-1550BBSCDM-1	Single 50 Qt. Soft-Close Top Mount	12" (305 mm)W x 23 1/4" (591 mm)D x 21 3/4" (553 mm)H	Wood	1		\$163.40
4WCTM-2150BBSCDM-2	Double 50 Qt. Soft-Close Top Mount	18" (457 mm)W x 23 1/4" (591 mm)D x 21 3/4" (553 mm)H	Wood	1		\$200.55

IMPORTANT NOTE: Depending on cabinet construction and pull hardware, a lid on the rear waste bin may not fully function.

4WCSD SERIES

ELECTRIC ASSIST WASTE CONTAINERS

Rev-A-Shelf, the industry leader in storage and convenience items has partnered with Blum™, the innovator of soft closing drawer runners and more recently SERVO-DRIVE touch-to-open, to offer new electric assist waste containers. The 4WCSD is the first electronic assist offering for your home by Rev-A-Shelf. As you would expect, this is available as a complete kit with a dovetail maple drawer box, adjustable door mounting brackets, durable polymer waste containers, plus Blum's TANDEM heavy duty full extension concealed runners with BLUMOTION soft close and SERVO-DRIVE touch-to-open. It allows the waste container to open automatically with just a touch on the front of the door or with a light pull of the handle. Perfect for when your hands are full of messy garbage and you can't access your pullout waste container.



110V



CREATE A RECYCLING CENTER!
LID INCLUDED
ON 4WCSD/4WCSC DOUBLE WASTE CONTAINERS

FRAMELESS NOTE:
Frameless minimum openings are the same as face frame. While the slides (the widest point) will fit tightly within the cabinet, the drawer box is slightly smaller to ensure flawless action.



PRODUCT #s	DESCRIPTION	PRODUCT DIMENSIONS	MIN. OPENING	FINISH	SET PER CARTON	WEIGHT PER CARTON	SUGGESTED LIST PRICE
Electric Assist Waste Containers							
Individual Pack							
4WCSD-1535DM-1	Single 35 Qt. Kit w/ Blum Tandem & Servo-Drive	12" (305 mm)W x 22½" (572 mm)D* x 19½" (496 mm)H	12"W	Wood	1	26.5 lbs.	\$715.30
4WCSD-1550DM-1	Single 50 Qt. Kit w/ Blum Tandem & Servo-Drive	12" (305 mm)W x 22½" (572 mm)D* x 23¾" (594 mm)H	12"W	Wood	1	27.5 lbs.	\$718.50
4WCSD-1835DM-2	Double 35 Qt. Kit w/ Blum Tandem & Servo-Drive	15" (381 mm)W x 22½" (572 mm)D* x 20¾" (518 mm)H	15"W	Wood	1	31 lbs.	\$740.35
4WCSD-2150DM-2	Double 50 Qt. Kit w/ Blum Tandem & Servo-Drive	18" (458 mm)W x 22½" (572 mm)D* x 24¼" (616 mm)H	18"W	Wood	1	36 lbs.	\$782.30
		* with SERVO-DRIVE					

IMPORTANT NOTE: Depending on cabinet construction and pull hardware, a lid on the rear waste bin may not fully function.

4WCSC SERIES

SOFT-CLOSE WASTE CONTAINERS

We have partnered with Blum to bring you as a complete kit, four sizes of bottom mount waste containers featuring Blum's TANDEM heavy duty, 120# full extension concealed runners with Blumotion soft close. They have a beautiful dovetail construction, come in 35 Qt. and 50 Qt. single or double configurations and door mount easily with our patented adjustment mounting brackets. US Patent 7,204,569



FRAMELESS NOTE:
Frameless minimum openings are the same as face frame. While the slides (the widest point) will fit tightly within the cabinet, the drawer box is slightly smaller to ensure flawless action.



FEATURING **blum**
concealed runners with **BLUMOTION** soft close

CREATE A RECYCLING CENTER!
LID INCLUDED
ON 4WCSD/4WCSC DOUBLE WASTE CONTAINERS

PRODUCT #s	DESCRIPTION	PRODUCT DIMENSIONS	MIN. OPENING	FINISH	SET PER CARTON	WEIGHT PER CARTON	SUGGESTED LIST PRICE
Wood Soft Close Waste Containers							
Individual Pack							
4WCSC-1535DM-1	Single 35 Qt. Kit w/ Soft Close	12" (305 mm)W x 21¾" (553 mm)D x 19½" (496 mm)H	12"W	Wood	1	23.5 lbs.	\$298.40
4WCSC-1550DM-1	Single 50 Qt. Kit w/ Soft Close	12" (305 mm)W x 21¾" (553 mm)D x 23¾" (594 mm)H	12"W	Wood	1	24.5 lbs.	\$301.60
4WCSC-1835DM-2	Double 35 Qt. Kit w/ Soft Close	15" (381 mm)W x 21¾" (553 mm)D x 20¾" (518 mm)H	15"W	Wood	1	28 lbs.	\$323.50
4WCSC-2150DM-2	Double 50 Qt. Kit w/ Soft Close	18" (458 mm)W x 21¾" (553 mm)D x 24¼" (616 mm)H	18"W	Wood	1	33 lbs.	\$365.40

IMPORTANT NOTE: Depending on cabinet construction and pull hardware, a lid on the rear waste bin may not fully function.

WASTE CONTAINERS

WASTE CONTAINERS

4WC SERIES

BOTTOM MOUNT PULLOUT WASTE CONTAINERS

Made from solid wood (maple) construction, the Bottom Mount Pullout Waste Containers are available in a single 35 Qt. or double 35 Qt. variety. The 4WC Series encases the containers in a durable wood base at the bottom of the cabinet to allow easy retrieval of the waste bins and features full-extension ball bearing slides with pre-assembled door mount brackets.



4WC-15DM1



4WC-18DM2



PRODUCT #s	DESCRIPTION	PRODUCT DIMENSIONS	FINISH	SET PER CARTON	WEIGHT PER CARTON	SUGGESTED LIST PRICE
Bottom Mount Wood Pullout Waste Containers						
Individual Pack						
4WC-15DM1	Single 35 Qt. Container, Door Mount	11 1/4" (286 mm)W x 21 3/4" (553 mm)D x 19 1/4" (489 mm)H	Wood	1	20 lbs	\$249.55
4WC-18DM2	Double 35 Qt. Containers, Door Mount	14 1/4" (362 mm)W x 21 3/4" (553 mm)D x 19 1/4" (489 mm)H	Wood	1	21 lbs.	\$264.35

NOTES:
Fully assembled. 150# Weight Rating. Depending on cabinet construction and pull hardware, a lid on the rear waste bin may not fully function.
CONTAINS:
(1 or 2) containers, full-extension slides, and built in RV Door Mount Brackets.

TWC** SERIES

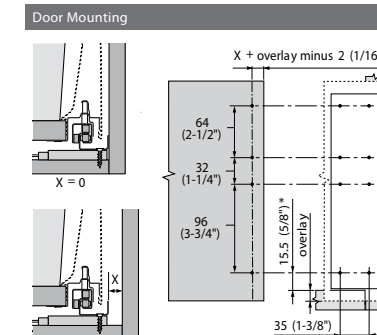
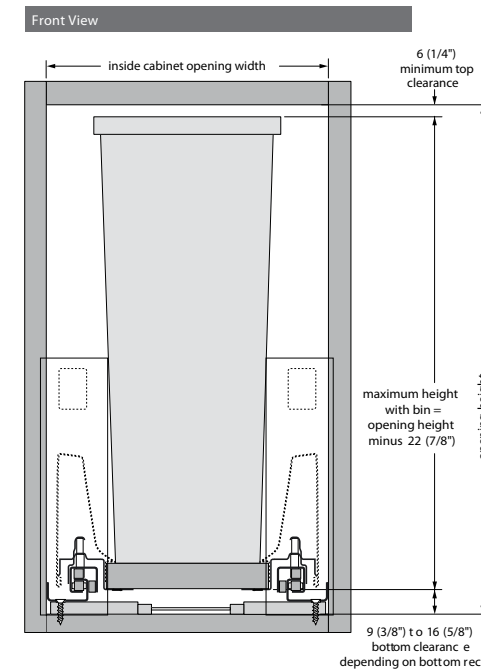
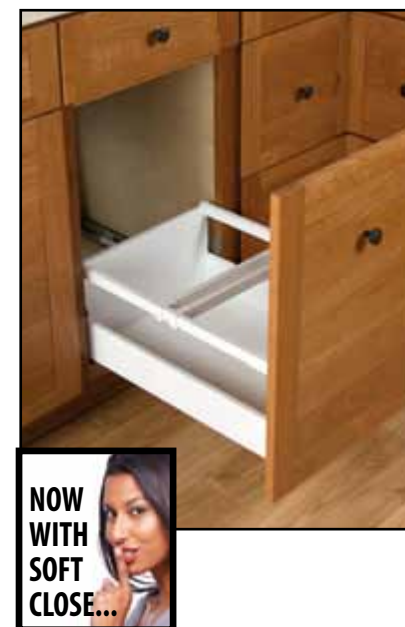
BLUM® TANDEM WASTE CONTAINER



Rev-A-Shelf brings you another complete waste container featuring a three-dimensional drawer front adjustment, TANDEM smooth running action and SERVO-DRIVE touch-to-open technology. Pre-assembled with the TANDEMBOX heavy duty full extension drawer system comes complete with high quality 35 Qt. or 50 Qt. polymer cans, and fits 12", 15", and 18" cabinet openings.

AVAILABLE IN FALL 2012!

FEATURING **blum**®
concealed runners with BLUMOTION soft close and SERVO-DRIVE



* 15.5 (5/8") to 22 (7/8") depending on bottom recess

Minimum inside cabinet depth

With SERVO-DRIVE (22-5/8") 574 mm

Without SERVO-DRIVE (22-1/2") 569 mm

PRODUCT #s	DESCRIPTION	PRODUCT DIMENSIONS	MIN OPENING	FINISH	SET PER CARTON	SUGGESTED LIST PRICE
Blum® TANDEM Waste Container						
Individual Pack						
TWCSC-15DM-1	Single 35 qt for 15" cabinet, no servo drive	12" (305mm)W x 22 1/2" (569mm)D x 19" (483 mm)H	12" (305mm)W	White	1	\$372.35
TWCSC-1550DM-1	Single 50 qt for 15" cabinet, no servo drive	12" (305mm)W x 22 1/2" (569mm)D x 23" (584 mm)H	12" (305mm)W	White	1	\$375.85
TWCSC-18DM-2	Double 35 qt for 18" cabinet, no servo drive	15" (381mm)W x 22 1/2" (569mm)D x 19" (483 mm)H	15" (381mm)W	White	1	\$385.70
TWCSC-1850DM-2	Double 50 qt for 18" cabinet, no servo drive	15" (381mm)W x 22 1/2" (569mm)D x 23" (584 mm)H	15" (381mm)W	White	1	\$392.50
TWCSC-21DM-2	Double 35 qt for 21" cabinet, no servo drive	18" (457mm)W x 22 1/2" (569mm)D x 19" (483 mm)H	18" (457mm)W	White	1	\$387.90
TWCSC-2150DM-2	Double 50 qt for 21" cabinet, no servo drive	18" (457mm)W x 22 1/2" (569mm)D x 23" (584 mm)H	18" (457mm)W	White	1	\$394.85
TWCSD-15DM-1	Single 35 qt for 15" cabinet, with servo drive	12" (305mm)W x 22 3/8" (574mm)D x 19" (483 mm)H	12" (305mm)W	White	1	\$790.70
TWCSD-1550DM-1	Single 50 qt for 15" cabinet, with servo drive	12" (305mm)W x 22 3/8" (574mm)D x 23" (584 mm)H	12" (305mm)W	White	1	\$794.15
TWCSD-18DM-2	Double 35 qt for 18" cabinet, with servo drive	15" (381mm)W x 22 3/8" (574mm)D x 19" (483 mm)H	15" (381mm)W	White	1	\$803.90
TWCSD-1850DM-2	Double 50 qt for 18" cabinet, with servo drive	15" (381mm)W x 22 3/8" (574mm)D x 23" (584 mm)H	15" (381mm)W	White	1	\$810.85
TWCSD-21DM-2	Double 35 qt for 21" cabinet, with servo drive	18" (457mm)W x 22 3/8" (574mm)D x 19" (483 mm)H	18" (457mm)W	White	1	\$806.20
TWCSD-2150DM-2	Double 50 qt for 21" cabinet, with servo drive	18" (457mm)W x 22 3/8" (574mm)D x 23" (584 mm)H	18" (457mm)W	White	1	\$813.15

IMPORTANT NOTE: Depending on cabinet construction and pull hardware, a lid on the rear waste bin may not fully function.

5349 SERIES

SINGLE DOOR MOUNT WASTE CONTAINERS

It's all about the smooth sliding system with the 5349 Series. This assortment of single and double stainless steel or polymer waste containers features heavy-duty brushed aluminum soft-closing slides that provide exceptional support and stability eliminating that side-to-side movement and a fully adjustable (10" High) door mount frame with built-in storage area for bags.

WASTE CONTAINERS

Premiere Cabinet Accessories



5349-18DM-217
Metallic Silver



Brushed Aluminum Slides



Available in Stainless Steel Containers



Also Available with 18" Slides! 5349-15DM-1, 5349-15DM-117 and 5349-15DM-1SS only.

PRODUCT #s	DESCRIPTION	PRODUCT DIMENSIONS	FINISH	SET PER CARTON	WEIGHT PER CARTON	SUGGESTED LIST PRICE
Single Pullout Waste Containers						
Individual Pack						
5349-15DM-1	Single 35 Qt. Pullout Container	10 ³ / ₄ " (273 mm)W x 21 ¹ / ₂ " (557 mm)D x 19 ¹ / ₄ " (489 mm)H	Polymer	1	11 lbs.	\$334.95
5349-15DM18-1	Single 35 Qt. Pullout Container	10 ³ / ₈ " (275 mm)W x 18" (457 mm)D x 19 ¹ / ₄ " (491 mm)H	Polymer	1	11.5 lbs.	\$328.70
5349-15DM-117	Single 35 Qt. Pullout Container	10 ³ / ₄ " (273 mm)W x 21 ¹ / ₂ " (557 mm)D x 19 ¹ / ₄ " (489 mm)H	Metallic Silver Polymer	1	11 lbs.	\$377.00
5349-15DM18-117	Single 35 Qt. Pullout Container	10 ³ / ₈ " (275 mm)W x 18" (457 mm)D x 19 ¹ / ₄ " (491 mm)H	Metallic Silver Polymer	1	10.3 lbs.	\$377.00
5349-1550DM-1	Single 50 Qt. Pullout Container	10 ³ / ₄ " (273 mm)W x 21 ¹ / ₂ " (557 mm)D x 23 ¹ / ₂ " (588 mm)H	Polymer	1	15 lbs.	\$361.80
5349-1550DM-117	Single 50 Qt. Pullout Container	10 ³ / ₄ " (273 mm)W x 21 ¹ / ₂ " (557 mm)D x 23 ¹ / ₂ " (588 mm)H	Metallic Silver Polymer	1	15 lbs.	\$377.30
5349-15DM-1SS	Single 32 Qt. Pullout Container	10 ³ / ₄ " (273 mm)W x 21 ¹ / ₂ " (557 mm)D x 19 ¹ / ₄ " (486 mm)H	Stainless Steel	1	14 lbs.	\$577.70
5349-15DM18-1SS	Single 32 Qt. Pullout Container	10 ³ / ₈ " (275 mm)W x 18" (457 mm)D x 19 ¹ / ₄ " (486 mm)H	Stainless Steel	1	14 lbs.	\$566.95
Door Mount Extenders						
SOLD SEPARATELY						
5345-DM-KIT-52	Door Mount Extenders (2 Left, 2 Right)		Chrome	1	2 lbs.	\$37.85

5349 SERIES

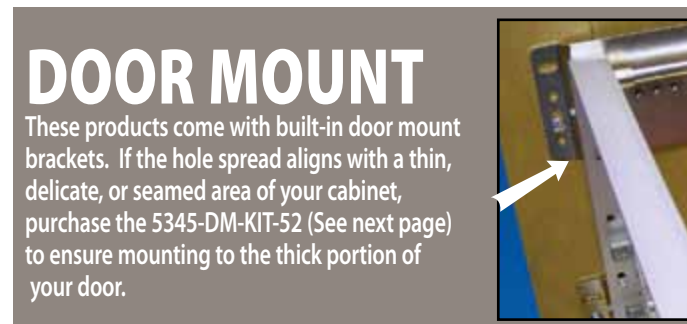
DOUBLE DOOR MOUNT WASTE CONTAINERS



5349-1527DM-2
White



5349-18DM-2SS
Stainless Steel



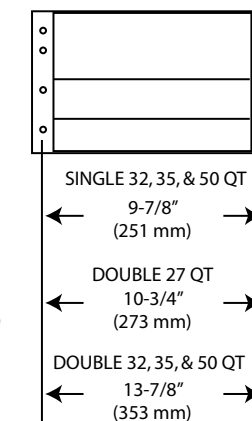
5349-18DM-217
Metallic Silver



You asked for it REV-A-SHELF® delivered!

These items feature soft-close! The same smooth sliding, heavy-duty slides you expect from Rev-A-Shelf, with a cutting-edge soft-close design.

HOLE SPREAD DIMENSIONS



5349-1550DM-117
Metallic Silver

PRODUCT #s	DESCRIPTION	PRODUCT DIMENSIONS	FINISH	SET PER CARTON	WEIGHT PER CARTON	SUGGESTED LIST PRICE
Double Pullout Waste Containers						
Individual Pack						
5349-1527DM-2	Double 27 Qt. Pullout Containers	11 ¹ / ₈ " (297 mm)W x 22 ¹ / ₄ " (565 mm)D x 18 ³ / ₈ " (481 mm)H	Polymer	1	14 lbs.	\$338.15
5349-1527DM-217	Double 27 Qt. Pullout Containers	11 ¹ / ₈ " (297 mm)W x 22 ¹ / ₄ " (565 mm)D x 18 ³ / ₈ " (481 mm)H	Metallic Silver Polymer	1	14 lbs.	\$395.55
5349-18DM-2	Double 35 Qt. Pullout Containers	14 ¹ / ₈ " (376 mm)W x 21 ¹ / ₈ " (556 mm)D x 19 ¹ / ₄ " (489 mm)H	Polymer	1	17 lbs.	\$361.80
5349-18DM-217	Double 35 Qt. Pullout Containers	14 ¹ / ₈ " (376 mm)W x 22 ¹ / ₈ " (562 mm)D x 19 ¹ / ₄ " (489 mm)H	Metallic Silver Polymer	1	17 lbs.	\$411.50
5349-2150DM-2	Double 50 Qt. Pullout Containers	14 ¹ / ₈ " (376 mm)W x 22 ¹ / ₈ " (562 mm)D x 22 ¹ / ₂ " (583 mm)H	Polymer	1	19 lbs.	\$392.10
5349-2150DM-217	Double 50 Qt. Pullout Containers	14 ¹ / ₈ " (376 mm)W x 22 ¹ / ₈ " (562 mm)D x 22 ¹ / ₂ " (583 mm)H	Metallic Silver Polymer	1	19 lbs.	\$434.70
5349-18DM-2SS	Double 32 Qt. Pullout Containers	14 ¹ / ₈ " (376 mm)W x 22 ¹ / ₈ " (562 mm)D x 18 ³ / ₈ " (478 mm)H	Stainless Steel	1	22 lbs.	\$761.10
Door Mount Extenders						
SOLD SEPARATELY						
5345-DM-KIT-52	Door Mount Extenders (2 Left, 2 Right)	See next page for more information.	Chrome	1	2 lbs.	\$37.85

IMPORTANT NOTE: Depending on cabinet construction and pull hardware, a lid on the rear waste bin may not fully function.

WASTE CONTAINERS

Premiere Cabinet Accessories

5345-DM-KIT-52

DOOR MOUNT EXTENSION BRACKETS

Introducing another Rev-A-Shelf original... the Door Mount Extender Kit. Designed for our aluminum frame pullouts, this door mount kit attaches to the existing door bracket for extended mounting adjustability to any drawer front or cabinet door style where previously a sub-door would have been required.



View of circumstances requiring 5345-DM-KIT. Notice how stock mounting position would place wood screws dangerously close to the edge of the door frame (A), which may cause the wood to split. With the Door Mount Extension Brackets you can safely affix the door using a much stronger area (B).

Allows adjustment from 3/4" (19 mm) - 2 1/2" (64 mm) per side!



Proper Door Mounting (no Extender Kit needed).

Slide template back from front of cabinet 3/16" (5 mm) when using extension brackets!



Several Width Adjustments

PRODUCT #'s	DESCRIPTION	FINISH	SET PER CARTON	WEIGHT PER CARTON	SUGGESTED LIST PRICE
Individual Pack					
5345-DM-KIT-52	Door Mount Extension Brackets	Chrome	1	2 lbs.	\$37.85

CONTAINS: (4) brackets, machine screws, nuts, (8) wood screws - must use all 4 brackets.

5349-9WM SERIES

PREMIERE RECYCLE CENTER

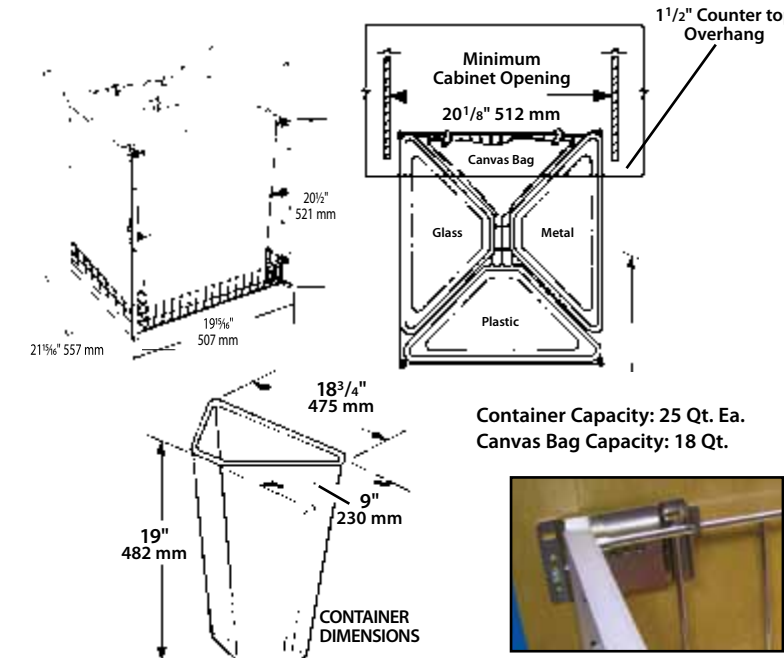
The Rev-A-Shelf recycling center is the ideal waste container for the environmentally conscious with four divided sections for plastic, glass, metal and paper...and it's now available with Compagnucci Aluminum Slides. The 5349-9WM Series is available in your choice of three color-coded or three white 25 Qt. polymer containers for plastic, glass and metal with a canvas bag for paper items. This Recycle Center features heavy-duty brushed aluminum soft-closing slides that provide exceptional support and stability eliminating that side-to-side movement and a fully adjustable door mount frame.



5349-9WM-C with International Recycling Colors



5349-9WM-W with White Containers



Container Capacity: 25 Qt. Ea.
Canvas Bag Capacity: 18 Qt.

REV-A-SHELF®
Go Green!



Door mount extenders sold separately.

You asked for it REV-A-SHELF® delivered!

These items feature soft-close! The same smooth sliding, heavy-duty slides you expect from Rev-A-Shelf, with a cutting-edge soft-close design.

PRODUCT #'s	DESCRIPTION	PRODUCT DIMENSIONS	FINISH	SET PER CARTON	WEIGHT PER CARTON	SUGGESTED LIST PRICE
Pullout Waste Recycling Center						
5349-9WM-W	White Recycle Center	19 1/16" (507 mm)W x 21 1/16" (557 mm)D x 20 1/2" (521 mm)H	Polymer	1	23 lbs.	\$497.35
5349-9WM-C	Tri-Color Recycle Center	19 1/16" (507 mm)W x 21 1/16" (557 mm)D x 20 1/2" (521 mm)H	Polymer	1	23 lbs.	\$497.35
5345-DM-KIT-52	Door Mount Extenders		Chrome	1	2 lbs.	\$37.85
6770-11-52	Replacement Canvas Bags		Canvas	1	2 lbs.	\$24.65
9700-60*-52	Replacement Containers	* = Y=Yellow, G=Green, B=Blue or W=White	Polymer	1	5 lbs.	\$24.80

NOTES:

100# Weight Rating
**Container Colors - W=white, C=multi-colored (B=blue, G=green, Y=yellow)

5345 Door Mount Extenders SOLD SEPARATELY!

CONTAINS:

Complete with (3) polymer containers (25 Qts.) and (1) washable canvas bag (18 Qts.), heavy duty full-extension slides, frame and mounting screws. Fully Assembled

5469 SERIES

PULLOUT WASTE CONTAINER



This double 15 Qt. dark gray polymer pullout waste container features built in handles for easy removal and is nestled in a heavy gauge chrome wire frame. The 5469 Series features 18" bottom mount Quadro slides and includes optional door mount brackets.



HARDWARE UPGRADE

Designed for those special situations where the waste container door mount bracket won't reach the door rail. The 5469 Series now includes adjustable extender brackets that attach to the existing door mount bracket eliminating the need for sub-door panels.

PRODUCT #s	DESCRIPTION	PRODUCT DIMENSIONS	FINISH	SET PER CARTON	WEIGHT PER CARTON	SUGGESTED LIST PRICE
Pullout Waste Container						Individual Pack
5469-15DM-2CR	Double 15 Quart Containers	14" (356 mm)W x 18" (458 mm)D x 15 3/4" (400 mm)H	Polymer	1	13 lbs.	\$279.70

NOTE:

Minimum inside cabinet width is 14 1/4" (362 mm)
 Minimum opening width is 13 3/8" (350 mm)
 Minimum opening height is 15 1/8" (404 mm)
 75# Weight Rated Ball-Bearing Slides

8-785 SERIES

UNDER SINK MOUNT WASTE CONTAINER

This Stainless Steel Sink Base Pullout Waste Container is ideal for kitchen, vanity and wet bar sink base cabinets; the 8-785 Series fits conveniently in the limited spaces around existing plumbing. This contemporary waste management system features two separate stainless steel containers (one 10 liter bin and one 20 liter bin), a covered lid, built in handles for easy removal, full-extension ball bearing slides and is available with or without a door mountable frame.



8-785-30-2SS



8-785-30-DM2SS



Cans easily remove.

PRODUCT #s	DESCRIPTION	PRODUCT DIMENSIONS	FINISH	SET PER CARTON	WEIGHT PER CARTON	SUGGESTED LIST PRICE
Pullout Waste Container						Individual Pack
8-785-30-2SS	Under Sink Mount Waste Container	10 1/4" (254 mm)W x 18 3/4" (476 mm)D x 15 3/8" (386 mm)H	Stainless Steel	1	15.5 lbs.	\$334.65
8-785-30-DM2SS	Door Mount Under Sink Waste Container	10 1/4" (254 mm)W x 18 3/4" (476 mm)D x 15 3/8" (386 mm)H	Stainless Steel	1	16 lbs.	\$346.25

CONTAINS:

Bottom Mount frame, 75# weight rated - full-extension slides, lid, (2) containers and screws. 8-785-30-DM2SS includes a door mount bracket.

8-010/5368/8-700 SERIES

BUILT-IN WASTE BINS

The pivot out waste container is ideal for keeping garbage out-of-sight yet conveniently accessible under the kitchen or vanity sink. As the cabinet door opens, the lifting mechanism raises the lid enabling the container to pivot-out with the door. The 8-010 Series is available in white lacquered or stainless steel finishes and the 8-700 Series is available in white polymer. Both series feature an inner polymer container with built-in handle for easy removal.



8-010212-14



8-010314-15



5368-17-13



8-700411-20

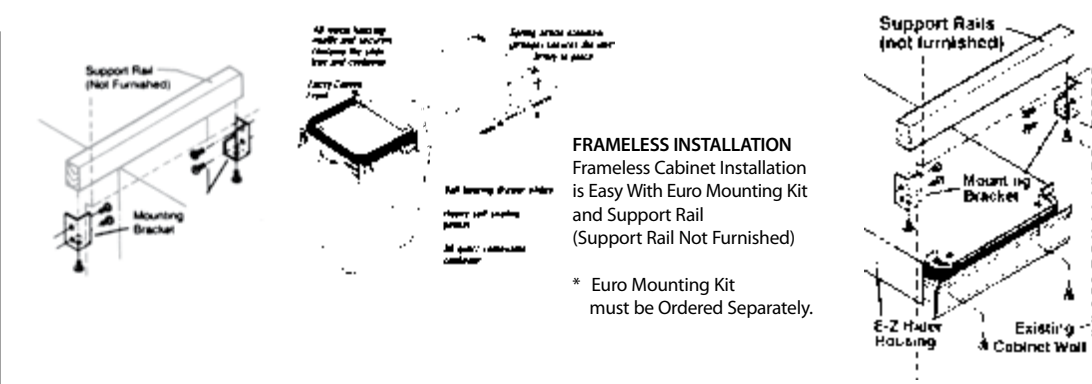
PRODUCT #s	DESCRIPTION	PRODUCT DIMENSIONS	MIN. WIDTH OPENING	FINISH	SET PER CARTON	WEIGHT PER CARTON	SUGGESTED LIST PRICE
Round Pivot-Out Waste Containers						Individual Pack	
8-010212-14	14 Liter Container	11" (280 mm)W x 10 1/2" (268 mm)D x 13 3/4" (350 mm)H	13 3/4" (350 mm)	White Lacquered	1	6 lbs.	\$94.25
8-010412-15	15 Liter Container	13 3/8" (340 mm)W x 11 7/8" (300 mm)D x 18 1/2" (470 mm)H	14 3/4" (375 mm)	White Lacquered	1	7 lbs.	\$104.10
8-010314-15	15 Liter Container	13 3/8" (340 mm)W x 11 7/8" (300 mm)D x 18 1/2" (470 mm)H	14 3/4" (375 mm)	Stainless Steel	1	6 lbs.	\$129.50
5368-17-13	13 Liter Container	11 1/4" (286 mm)W x 11" (280 mm)D x 17 3/4" (452 mm)H	14 1/4" (362 mm)	Metallic Silver Polymer	1	4 lbs.	\$49.15
8-700411-20	20 Liter Sink Base Container	15 3/4" (400 mm)W x 7 1/4" (185 mm)D x 18" (457 mm)H	16 1/4" (413 mm)	White Polymer	1	6 lbs.	\$167.20

CONTAINS: (1) Waste Container with installation template & fasteners.

EZ-300 SERIES

BUILT-IN WASTE BINS

Keep unpleasant odors from your garbage sealed inside the waste bin with Rev-A-Shelf's EZ-300 Series. The EZ Hider is a one-of-a-kind waste management system that features a vinyl gasket fitting that seals the container to eliminate offensive aromas. This 30 Qt. white container pulls out on 100# rated full-extension ball bearing slides designed to handle heavy loads.



PRODUCT #s	DESCRIPTION	PRODUCT DIMENSIONS	FINISH	SET PER CARTON	WEIGHT PER CARTON	SUGGESTED LIST PRICE
Built-In Waste Bins						Individual Pack
E-Z 300-52	30 Qt. Waste Container	10 3/4" (273 mm)W x 22" (559 mm)D x 19 1/2" (496 mm)H	White	1	18 lbs.	\$211.25
Built-In Waste Bins						Bulk Pack
E-Z 300-4	30 Qt. Waste Container	10 3/4" (273 mm)W x 22" (559 mm)D x 19 1/2" (496 mm)H	White	6	107 lbs.	\$193.85
Components						
6700-94-52	Euro-Mounting Bracket Set For Frameless Installation			1	1 lbs.	\$19.30

8-060 SERIES

COUNTER MOUNT WASTE CONTAINER

Rev-A-Shelf presents another ultramodern innovation with the Counter Mount Waste Container. Ideal for medical offices, retail counters, recreational vehicles, upscale outdoor kitchens, and more; this waste management system sits inside the cabinet with full access to the container from the counter top. The 8-060 Series is available with an 11 or 13-liter removable container and features a stainless steel lid and soft rubber inner ring designed to seal odors.

WASTE CONTAINERS

Premiere
Cabinet Accessories



PRODUCT #'s	DESCRIPTION	PRODUCT DIMENSIONS	FINISH	SET PER CARTON	WEIGHT PER CARTON	SUGGESTED LIST PRICE
Counter top Waste Container			Individual Pack			
8-060-11SS	Counter Mount Waste Container	Diameter 12¼"W (311 mm) x 11⅝"D (295 mm)	Stainless Steel	1	6 lbs.	\$246.05
8-060-15SS	Counter Mount Waste Container	Diameter 12¼"W (311 mm) x 13¼"D (337 mm)	Stainless Steel	1	7 lbs.	\$252.45

CONTAINS: Mounting ring, rubber seal, can and lid

REPLACEMENT WASTE CONTAINERS AND BINS

Do you just need a replacement? Here's a list of all the waste containers available for individual purchase.



PRODUCT #'S	WHERE USED
5349-SS-52	5349-SS Series
6700-61-6	RV-9, EZ-300 & 568 Series
RV-1024W-10	RV-15, 4WCTM-15 & 4WCTM-27-4
RV-1024-17-10	5349 Series
RV-20-6	RV-8 & RV-14
RV-35-8	RV-12, RV-18 Series, 5349 Series & 4WCTM Series
RV-35-17-8	5349, 4WCSD, 4WCSC, RV Series
RV-35-18-8	RV Series
RV-50-8	RV-12PB-50 & 4WCTM Series
RV-50-17-8	5349, 4WCSD, 4WCSC, RV Series
RV-50WL-8	RV-12PB-50 S



PRODUCT #'s	DESCRIPTION	PRODUCT DIMENSIONS	FINISH	SET PER CARTON	WEIGHT PER CARTON	SUGGESTED LIST PRICE
Waste Containers Only						
5349-SS-52	32 Quart	10½" (267 mm)W x 14⅞" (367 mm)D x 17⅝" (448 mm)H	Stainless Steel	1	6 lbs.	\$155.15 ea.
6700-61-B	30 Quart	9⅞" (239 mm)W x 15⅝" (397 mm)D x 17⅝" (451 mm)H	Polymer	6	17 lbs.	\$21.15 ea.
RV-1024W	27 Quart	11" (280 mm)W x 10⅞" (277 mm)D x 17¾" (451 mm)H	Polymer	10	20 lbs.	\$21.60 ea.
RV-1024-17-10	27 Quart	11" (280 mm)W x 10⅞" (277 mm)D x 17¾" (451 mm)H	Polymer-Metallic Silver	10	20 lbs.	\$24.20 ea.
RV-20-6	20 Quart	8⅞" (213 mm)W x 14¼" (362 mm)D x 15" (381 mm)H	Polymer	6	10 lbs.	\$13.90 ea.
RV-35-8	35 Quart	14⅞" (365 mm)W x 10½" (270 mm)D x 17⅞" (454 mm)H	Polymer	8	18 lbs.	\$14.20 ea.
RV-35-17-8	35 Quart	14⅞" (365 mm)W x 10½" (270 mm)D x 17⅞" (454 mm)H	Polymer-Metallic Silver	8	18 lbs.	\$20.60 ea.
RV-35-18-8	35 Quart	14⅞" (365 mm)W x 10½" (270 mm)D x 17⅞" (454 mm)H	Polymer-Black	8	18 lbs.	\$20.60 ea.
RV-50-8	50 Quart	10¾" (274 mm)W x 14¾" (375 mm)D x 21¾" (550 mm)H	Polymer	8	38 lbs.	\$25.95 ea.
RV-50-17-8	50 Quart	10¾" (274 mm)W x 14¾" (375 mm)D x 21¾" (550 mm)H	Polymer-Metallic Silver	8	38 lbs.	\$28.00 ea.

Top Mount Bins



4TMBIN-6	4WCTM Replacement Polymer Bin	7⅝" (188 mm)W x 10⅞" (264 mm)D x 6⅝" (162 mm)H	Polymer White	6	3.6 lbs.	\$7.55
4TMBIN-15-6	4WCTM Replacement Polymer Bin	7⅝" (188 mm)W x 10⅞" (264 mm)D x 6⅝" (162 mm)H	Polymer Almond	6	3.6 lbs.	\$7.55
4TMBIN-17-6	4WCTM Replacement Polymer Bin	7⅝" (188 mm)W x 10⅞" (264 mm)D x 6⅝" (162 mm)H	Polymer Metallic Silver	6	3.6 lbs.	\$9.00

REV-A-SHELF[®]



800.626.1126 • rev-a-shelf.com

multidecor

Multidecor S. de R.L. de C.V.

Cuadrante de San Francisco Núm. 14-1

Col. Cuadrante de San Francisco. C.P. 04320, México D.F.

info@multidecor.com.mx (55) 5554 5858 / (55) 5544 3737

www.multidecor.com.mx